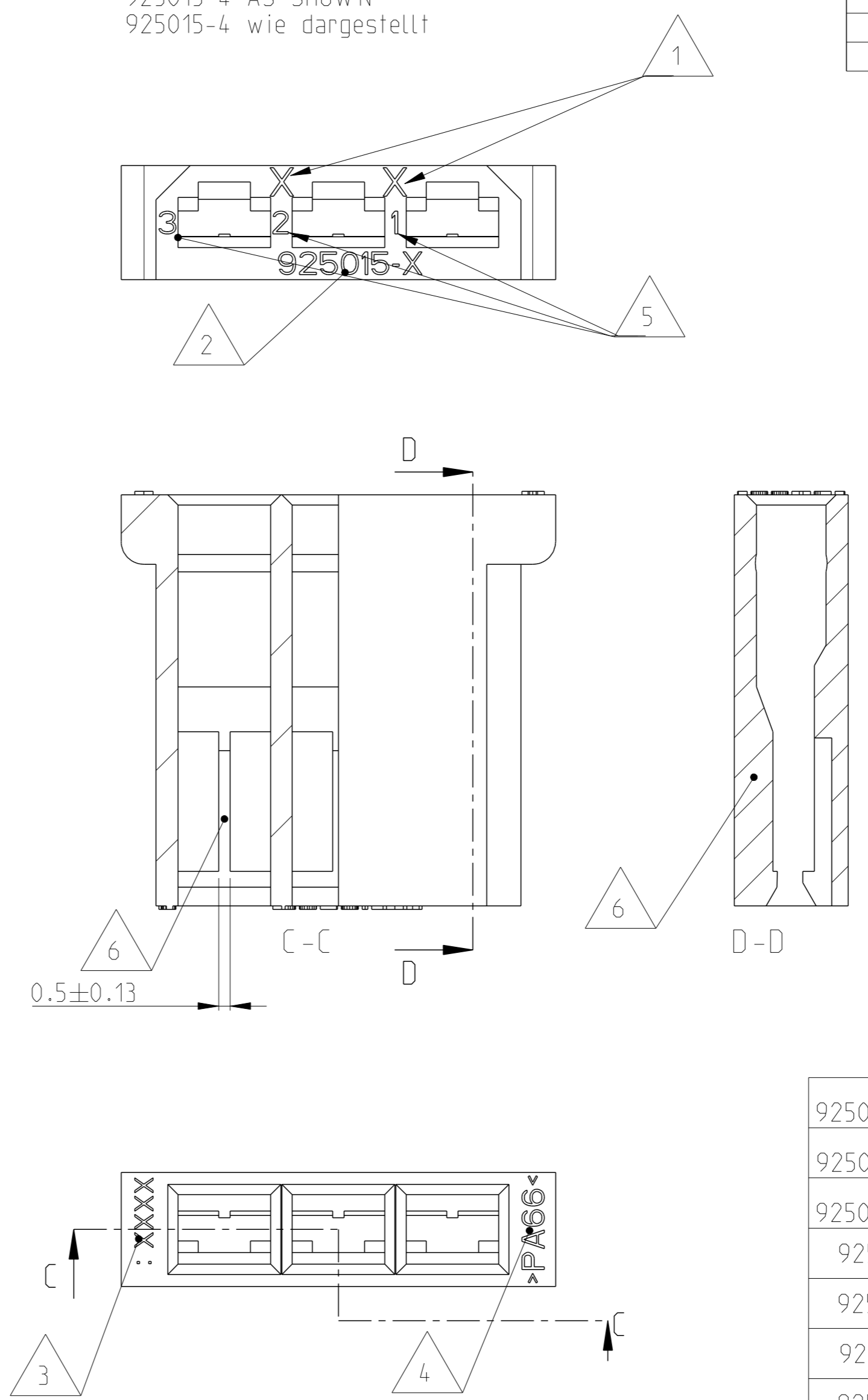


(E7)
 925015-4 AS SHOWN
 925015-4 wie dargestellt



LOC	DIST	REVISIONS			
P	LTR	DESCRIPTION	DATE	DWN	APVD
E8		REVISED PER ECR-14-001194	15FEB2014	NK	JR
E9		REVISED PER ECO-18-000213	5JAN2018	DL	TD

- NOTES
 Bemerkungen
- 1 MOULD CAVITY NUMBER
Werkzeugnestzahl
 - 2 PART NUMBER
Teilenummer
 - 3 ARTWORK LOGO
Firmenzeichen
 - 4 MATERIAL MARKING
Werkstoffkennzeichnung
 - 5 CHAMBER NUMBER
Kammernummer
 - 6 CODING RIB
Kodiersteg
 - 7 WEIGHT: 925015-0/-1/-2/-3 - 0.94g
WEIGHT: 925015-4 - 0.98g
Gewicht: 925015-0/-1/-2/-3 - 0.94g
Gewicht: 925015-4 - 0.98g
 - 8 PACKAGING VARIANT OF 925015-0
Verpackungsvariante von 925015-0 (E7)
 - 9 MATERIAL GWT 750C
 - 10 PRELIMINARY FASR REQUIRED

ORDER-NO.	REV	DESCRIPTION	MATERIAL	COLOUR
925015-6	1	3POS. HOUSING	PA6	NATURAL
925015-5	A	3POS. HOUSING	PA6.6	NATURAL
925015-4	A	3POS. HOUSING	PA6.6	NATURAL
925015-3	E	3POS. HOUSING	PA6.6 (ZYTEL 101)	NATURAL
925015-2	E	3POS. HOUSING	PA6.6	RED
925015-1	E	3POS. HOUSING	PA6.6	BLACK
925015-0	E	3POS. HOUSING	PA6.6	NATURAL

THIS DRAWING IS A CONTROLLED DOCUMENT.

DWN Haas, C. 21MAR2005
 CHK Stredak, F. 22MAR2005
 APVD Bleicher, M. 31MAR2005

TE Connectivity

NAME 3POS. FASTIN-FASTON REC. HSG. SER.110
 3pol. F.F. Steckhuelsengehaeuse SERIE 2.8

SIZE A2 CAGE CODE 00779 DRAWING NO. C=925015 RESTRICTED TO -

WEIGHT SEE NOTE A2 SCALE 5:1 SHEET 1 OF 1 REV E9

Customer Drawing

Mouser Electronics

Authorized Distributor

Click to View Pricing, Inventory, Delivery & Lifecycle Information:

[TE Connectivity:](#)

[925015-1](#)