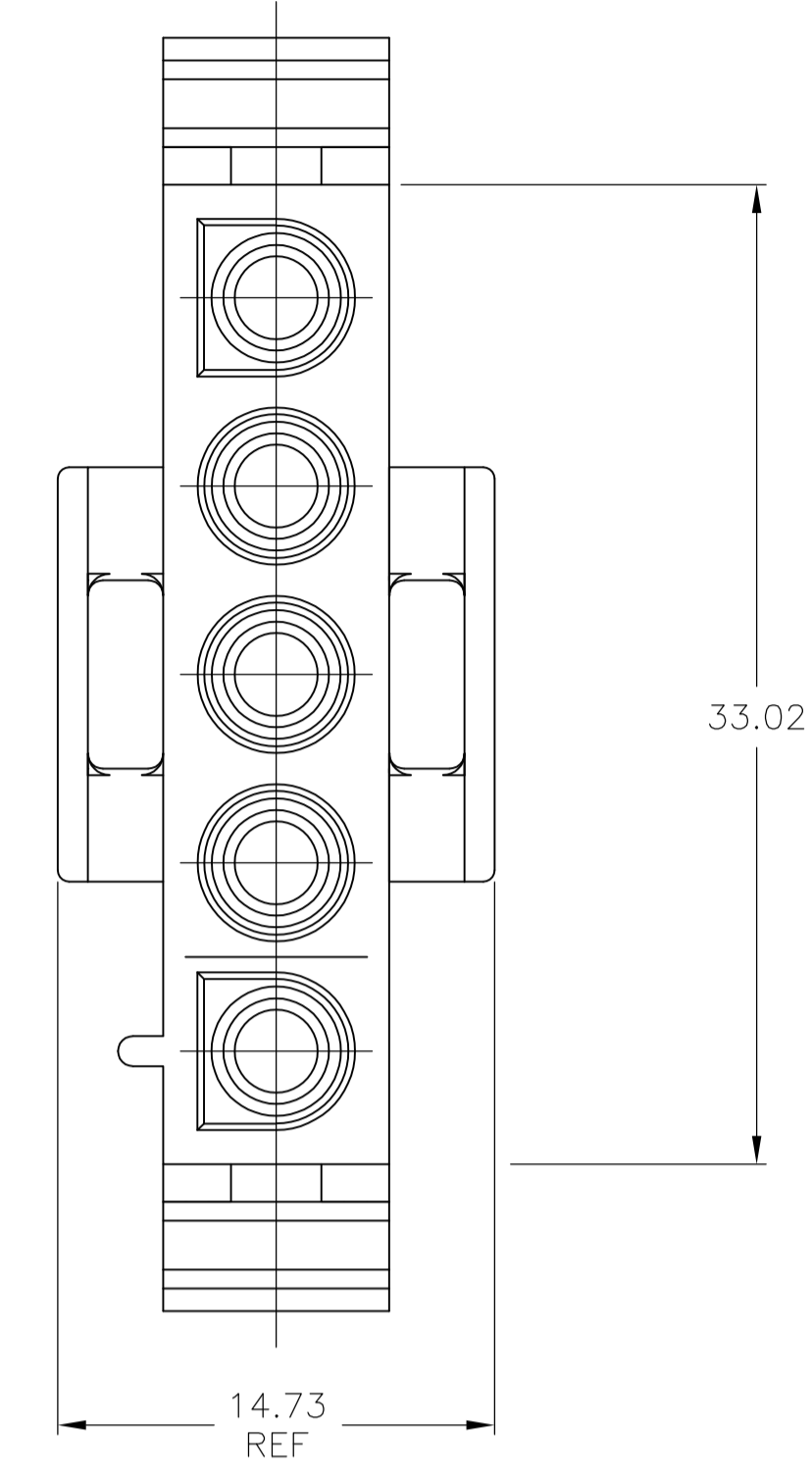
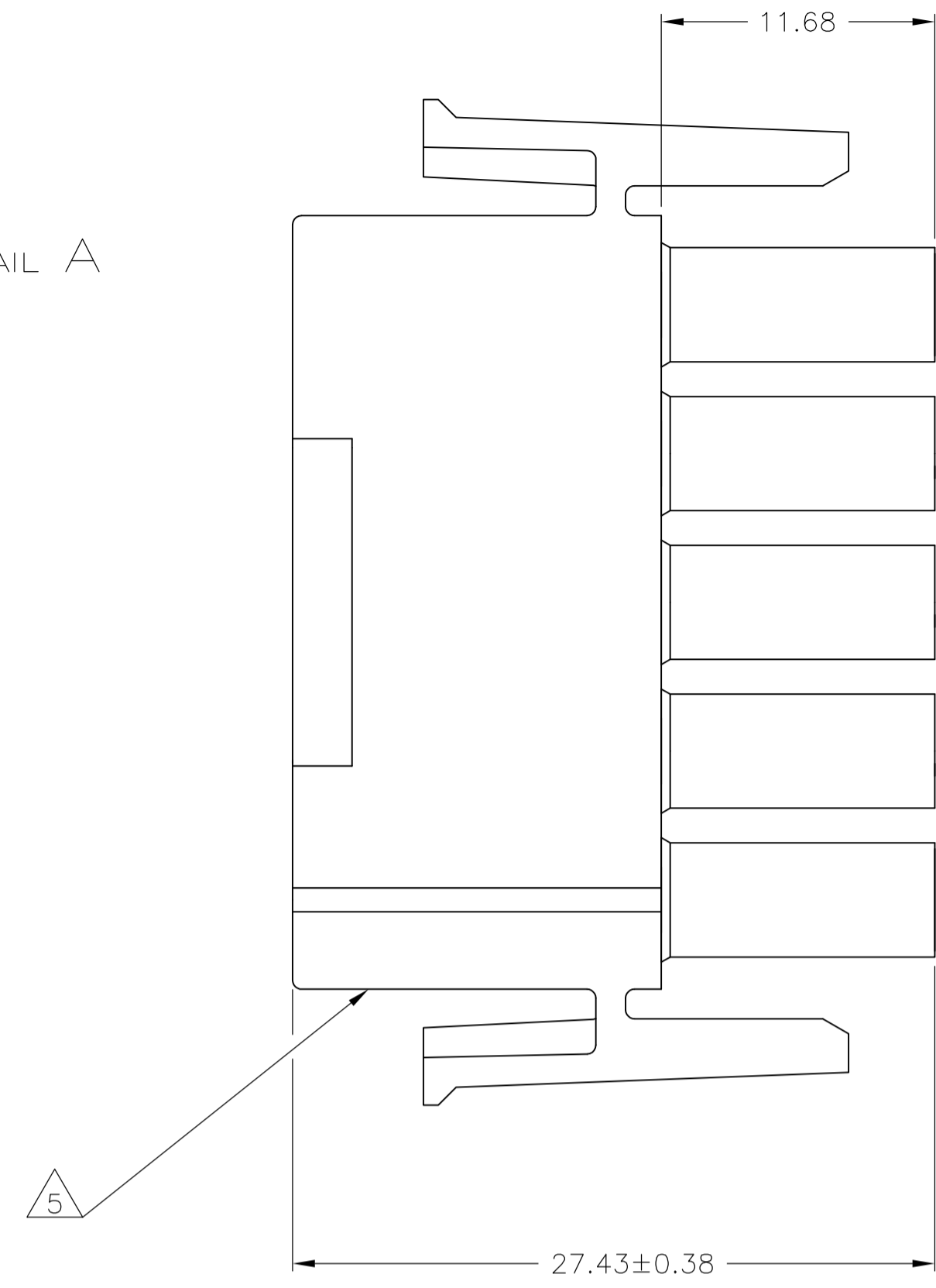
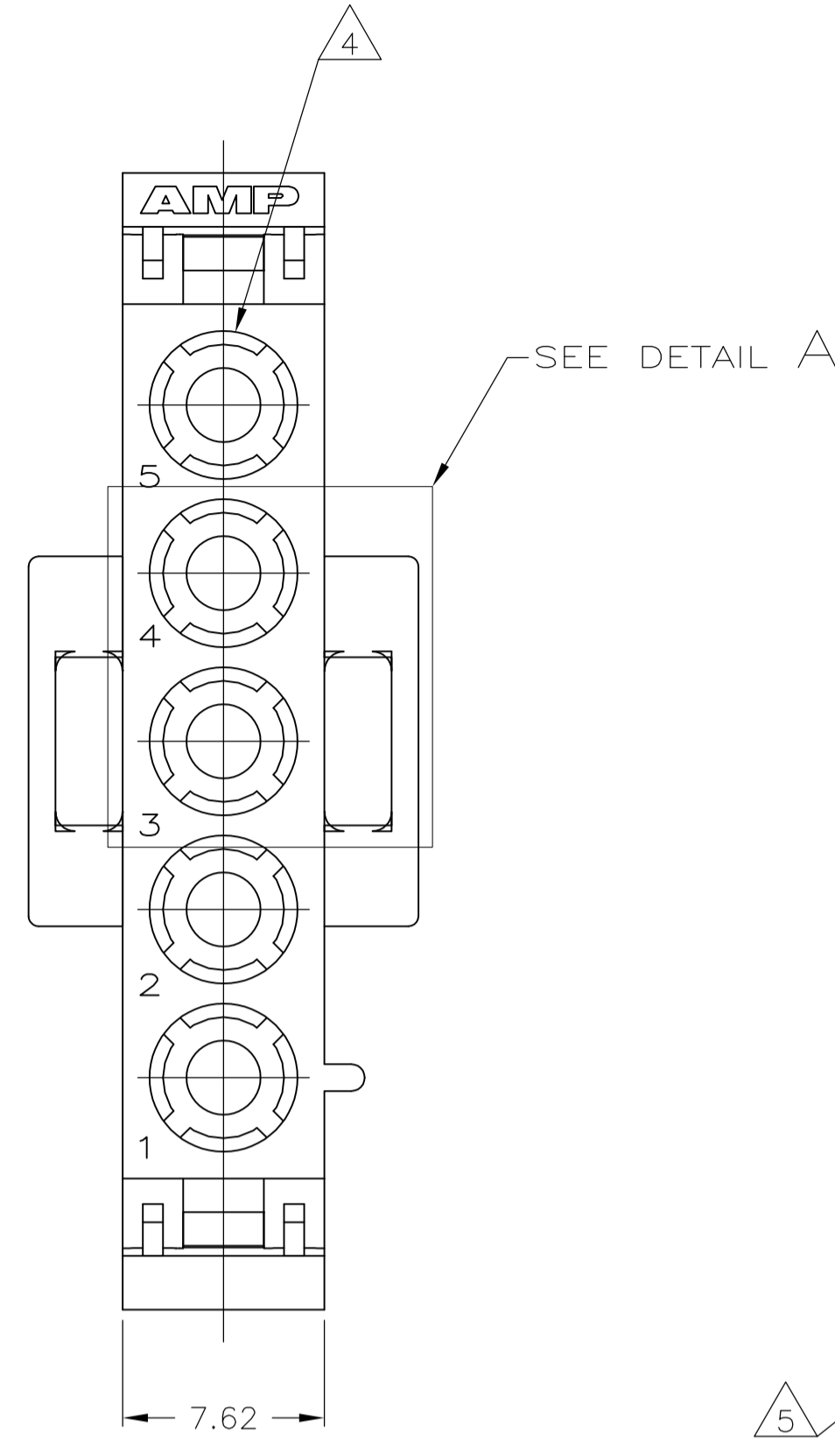
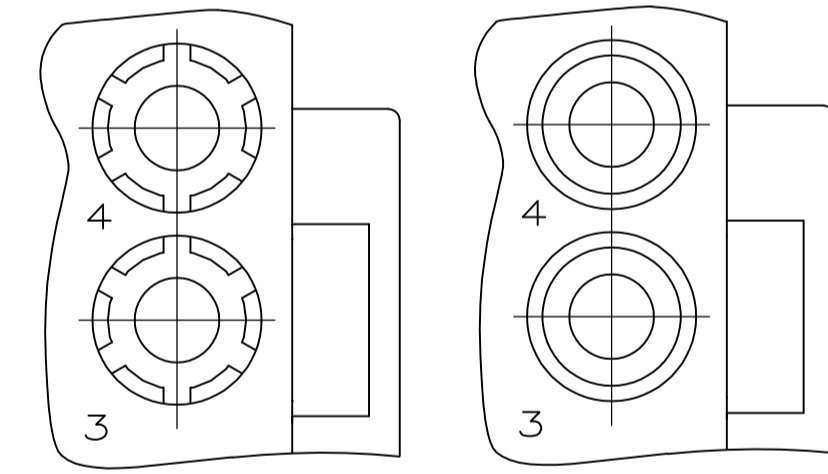
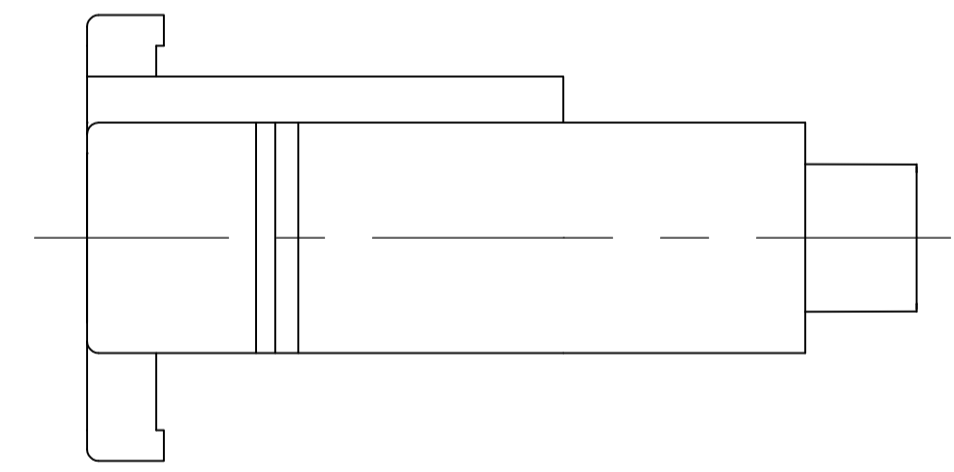


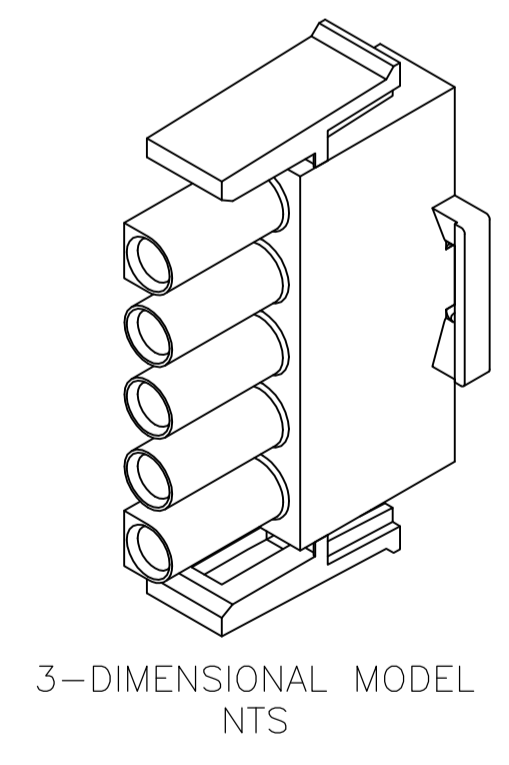
| LOC | | DIST | | REVISIONS | | | |
|-----|---------------------------|------|-----------|-------------|------|----|------|
| CM | 53 | REV | DATE | DESCRIPTION | DATE | BY | APPV |
| Y5 | REVISED PER ECR-17-006277 | | 25MAY2017 | | | BW | KR |



- MATES WITH APPROPRIATE UNIVERSAL MATE-N-LOK™ CAP OR HEADER.
 - SMALL NICKS ARE PERMITTED ON THE CIRCUIT TOWERS WHICH COULD INCREASE THE INITIAL HOUSING MATING FORCE BY UP TO 4.4 NEWTONS [1.0 LBS]. NO INDIVIDUAL NICKED TOWER SHALL INCREASE THIS FORCE BY OVER 2.2 NEWTONS [.5 LBS].
 - DIMENSIONS SHOWN REPRESENT PRODUCT IN DRY, AS MOLDED, CONDITION. ADDITIONAL 2% GROWTH DUE TO SUBSEQUENT MOISTURE ABSORPTION MAY OCCUR AND SHOULD BE ACCOUNTED FOR.
- 4 FOUR RIBS EQUALLY SPACED, NO SPECIFIC ORIENTATION. NO RIBS OR SIX RIBS EQUALLY SPACED, NO SPECIFIC ORIENTATION, OPTIONAL.
- 5 UNDERWRITERS RECOGNIZED COMPONENT LOGO AND CSA CERTIFICATION LOGO TO BE LOCATED ONCE EACH ON SIDE OF HOUSING.



DETAIL A
OPTIONAL CONSTRUCTION



| PA66 VO GWT 750°C NO FLAME | COLOR | PART NO. |
|----------------------------|---------|------------|
| | NATURAL | 350809-3 |
| | BLACK | 1-350809-9 |
| | GRAY | 1-350809-8 |
| | BLUE | 1-350809-6 |
| | GREEN | 1-350809-5 |
| | YELLOW | 1-350809-4 |
| | ORANGE | 1-350809-3 |
| | RED | 1-350809-2 |
| | BROWN | 1-350809-1 |
| SUPERCEDED BY 1-350809-9 | BLACK | 350809-2 |
| | NATURAL | 350809-1 |
| | COLOR | PART NO. |

| MM | IN |
|-------|-------|
| 33.02 | 1.300 |
| 27.43 | 1.080 |
| 14.73 | .580 |
| 11.68 | .460 |
| 7.62 | .300 |
| 0.38 | .015 |
| 0.13 | .005 |

CONVERSION TABLE

THIS DRAWING IS A CONTROLLED DOCUMENT.

| | | | | | | |
|--------------------|--|----------------------|---------------------|-----------------------|--|--------|
| DIMENSIONS: mm | TOLERANCES UNLESS OTHERWISE SPECIFIED: | DIN R VESTAL 24FEB95 | CHK R SWING 24FEB95 | APPROV D SELF 24FEB95 | NAME | |
| | 0. PLC ± - | | | | PLUG, 5 CIRCUIT, UNIVERSAL MATE-N-LOK™ | |
| | 1. PLC ± - | | | | 108-1031 | |
| | 2. PLC ± 0.13 | | | | APPLICATION SPEC | |
| | 3. PLC ± - | | | | 114-18011 | |
| | 4. PLC ± - | | | | SIZE CAGE CODE DRAWING NO | |
| | ANGLES ± 0°30' | | | | A1 - C=350809 | |
| MATERIAL SEE TABLE | FINISH - | WEIGHT | CUSTOMER DRAWING | SCALE 4:1 | SHEET 1 OF 1 | REV Y5 |

4805 (3/11)

Mouser Electronics

Authorized Distributor

Click to View Pricing, Inventory, Delivery & Lifecycle Information:

[TE Connectivity:](#)

[350809-1](#)