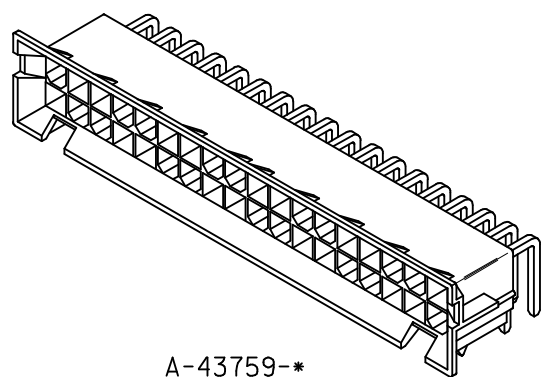


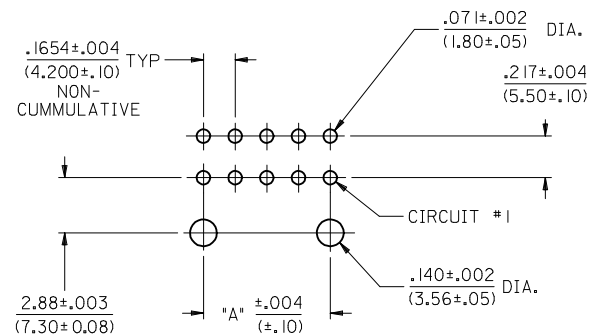
SEE NOTE 9

**NOTES:**

- 1) MATERIAL  
HOUSING: "A" = NYLON 6/6, U.L. 94V-2 COLOR: NATURAL.  
TERMINAL MATERIAL: BRASS ALLOY.
- 2) FINISH  
A = .000100/(.00254) MIN. MATTE TIN OVER  
.000050/(.00127) MIN. NICKEL.  
B = .000030/(0.00076) MIN. SELECT GOLD AND  
.000100/(0.00254) MIN. SELECT MATTE TIN  
OVER .000050/(0.00127) MIN. NICKEL OVERALL
- 3) PRODUCT SPECIFICATION: PS-43759-0001
- 4) PACKAGING SPECIFICATION: PK-42404-002.
- 5) PART MATES WITH MINI-FIT JR. RECEPTACLE 43760, 44516
- 6) CONNECTOR ASSEMBLIES ARE NOT TO BE MATED  
OR UNMATED WHILE CIRCUITS ARE LIVE.
- 7) CIRCUITS SHOWN PROVIDE THE "MATE-FIRST/BREAK-LAST" FEATURE.
- 8) DISCOLORATION ON THE BANDOLIER CARRIER AREA OF THE PIN IS ACCEPTABLE.
- 9) PART CONFORMS TO CLASS "B" REQUIREMENTS OF COSMETIC SPECIFICATION PS-45499-002, EXCEPT CLASS "C" ON BOTH SIDE RIBS.
- 10) PART ALLOWS FOR .050/(1.27) MISALIGNMENT WITH MATING RECEPTACLE IN ANY DIRECTION. SEE MATING CONNECTOR DRAWINGS FOR SPECIFIC ALLOWANCES.
- 11) FORMING MARKS ARE ACCEPTABLE
- 12) PARTS ARE NOT DESIGNED FOR CURRENT SHARING



**A-43759-\***



RECOMMENDED HOLE LAYOUT FOR  
.070/(1.78) MAX. THICK P.C. BOARD

CIRCUIT SIZE	DIM. "A"
36	2.811 (71.40)

CORRECT 7.3 TOL EC NO: UCP2017-2784 DRW: BAPPELDORN 2017/06/26 CHKD: J.BELL 2017/06/26 APPR: F.SMITH 2017/06/28	QUALITY SYMBOLS	GENERAL TOLERANCES (UNLESS SPECIFIED)	DIMENSION STYLE	SCALE	DESIGN UNITS	THIRD ANGLE PROJECTION
	▽=0	mm INCH	IN/MM	2:1	METRIC	
	▽=0					
	▽=0					

DRAWN BY	DATE	TITLE
MAB	5/20/96	SELECTIVELY-LOADED DUAL ROW, RT. ANG. HDR. (MAKE FIRST/BREAK LAST)
CHECKED BY	DATE	
RJF	5/20/96	
APPROVED BY	DATE	
RAS	5/20/96	
MATERIAL NO.	DOCUMENT NO.	
SEE CHART		

DRAFT WHERE APPLICABLE MUST REMAIN WITHIN DIMENSIONS
SIZE C

MOLEX INCORPORATED		SHEET NO.
SDA-43759-*		1 OF 2
THIS DRAWING CONTAINS INFORMATION THAT IS PROPRIETARY TO MOLEX INCORPORATED AND SHOULD NOT BE USED WITHOUT WRITTEN PERMISSION		

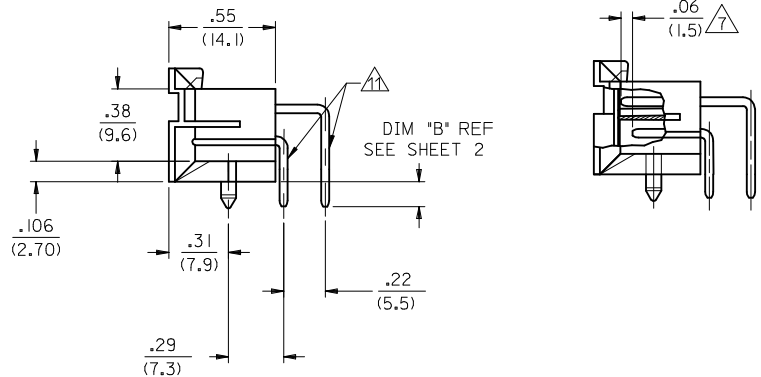
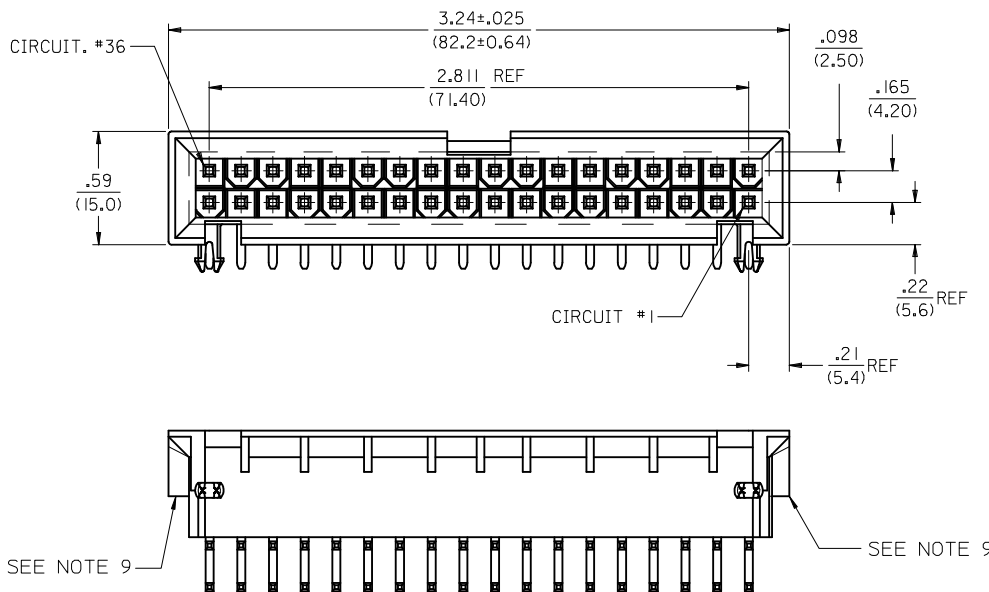
ITEM NO.	CKT. SIZE	CHARACTERISTIC DESCRIPTION	LETTER INDICATES PIN PLATING AND LENGTH REQUIRED AT EACH CIRCUIT LOCATION. SEE NOTE 2 ON SHEET 1.																																				DIM "B"	
			1	2	3	4	5	6	7	8	9	10	11	12	13	14	15	16	17	18	19	20	21	22	23	24	25	26	27	28	29	30	31	32	33	34	35	36		
43759-0001	36	36A*	AS	AS	AS	AS	AS	AS	AS	AS	AS	AS	AS	AS	AS	AS	AS	AS	AS	AS	AS	AM	AM	AM	AM	AM	AM	AM	AM	AM	AM	AM	AM	AM	AM	AM	AM	AM	AM	.13 3.4
43759-0004	36	36B*	BS	BS	BS	BS	BS	BS	BS	BS	BS	BS	BS	BS	BS	BS	BS	BS	BS	BS	BM	BM	BM	BM	BM	BM	BM	BM	BM	BM	BM	BM	BM	BM	BM	BM	BM	BM	BM	.13 3.4

CHARACTERISTICS LEGEND:

TERMINAL PLATING AND LENGTH

- \*AS\* = TIN, STANDARD LENGTH
- \*BS\* = GOLD, STANDARD LENGTH
- \*AM\* = TIN, MATE-FIRST/BREAK-LAST
- \*BM\* = GOLD, MATE-FIRST/BREAK-LAST

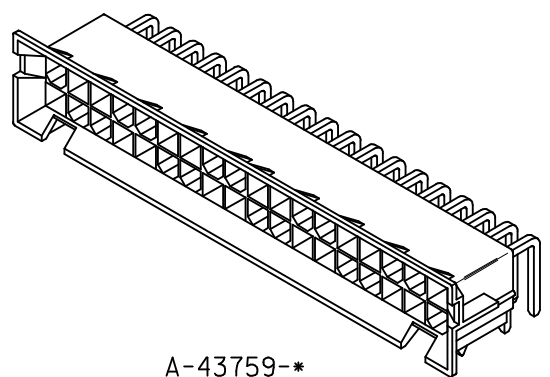
<b>SEE SHEET 1</b> EC NO: UCP2017-2784 DRWN:APPELDORN 2017/06/26 CHKD:JBELL 2017/06/26 APPR:FSMITH 2017/06/28	QUALITY SYMBOLS	GENERAL TOLERANCES (UNLESS SPECIFIED)	DIMENSION STYLE	SCALE	DESIGN UNITS	THIRD ANGLE PROJECTION	
		mm INCH	IN/MM	1:1	METRIC		
	▽=0	4 PLACES ± --- ± ---	DRAWN BY DATE	MAB 5/20/96	<b>SELECTIVELY-LOADED          DUAL ROW, RT. ANG. HDR.          (MAKE FIRST/BREAK LAST)</b>		
	▽=0	3 PLACES ± --- ± .010	CHECKED BY DATE	RJF 5/20/96			
▽=0	2 PLACES ± 0.25 ± .015	APPROVED BY DATE	RAS 5/20/96	<b>MOLEX INCORPORATED</b> DOCUMENT NO. <b>SDA-43759-*</b>			
▽=0	1 PLACE ± 0.38 ± ---	MATERIAL NO.	SEE CHART				
REV	DESCRIPTION	ANGULAR ±1/2°	SIZE	THIS DRAWING CONTAINS INFORMATION THAT IS PROPRIETARY TO MOLEX INCORPORATED AND SHOULD NOT BE USED WITHOUT WRITTEN PERMISSION			
E2		DRAFT WHERE APPLICABLE MUST REMAIN WITHIN DIMENSIONS	C	SHEET NO. <b>2 OF 2</b>			



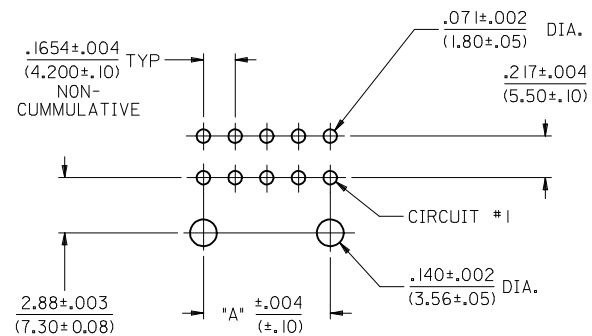
SEE NOTE 9

**NOTES:**

- 1) MATERIAL  
HOUSING: "A" = NYLON 6/6, U.L. 94V-2 COLOR: NATURAL.  
TERMINAL MATERIAL: BRASS ALLOY.
- 2) FINISH  
A = .000100/(.00254) MIN. MATTE TIN OVER  
.000050/(.00127) MIN. NICKEL.  
B = .000030/(0.00076) MIN. SELECT GOLD AND  
.000100/(0.00254) MIN. SELECT MATTE TIN  
OVER .000050/(0.00127) MIN. NICKEL OVERALL
- 3) PRODUCT SPECIFICATION: PS-43759-0001
- 4) PACKAGING SPECIFICATION: PK-42404-002.
- 5) PART MATES WITH MINI-FIT JR. RECEPTACLE 43760, 44516
- 6) CONNECTOR ASSEMBLIES ARE NOT TO BE MATED  
OR UNMATED WHILE CIRCUITS ARE LIVE.
- 7) CIRCUITS SHOWN PROVIDE THE "MATE-FIRST/BREAK-LAST" FEATURE.
- 8) DISCOLORATION ON THE BANDOLIER CARRIER AREA OF THE PIN IS ACCEPTABLE.
- 9) PART CONFORMS TO CLASS "B" REQUIREMENTS OF COSMETIC SPECIFICATION PS-45499-002, EXCEPT CLASS "C" ON BOTH SIDE RIBS.
- 10) PART ALLOWS FOR .050/(1.27) MISALIGNMENT WITH MATING RECEPTACLE IN ANY DIRECTION. SEE MATING CONNECTOR DRAWINGS FOR SPECIFIC ALLOWANCES.
- 11) FORMING MARKS ARE ACCEPTABLE
- 12) PARTS ARE NOT DESIGNED FOR CURRENT SHARING



**A-43759-\***



RECOMMENDED HOLE LAYOUT FOR  
.070/(1.78) MAX. THICK P.C. BOARD

CIRCUIT SIZE	DIM. "A"
36	2.811 (71.40)

CORRECT 7.3 TOL EC NO: UCP2017-2784 DRW: BAPPELDORN 2017/06/26 CHKD: J.BELL 2017/06/26 APPR: F.SMITH 2017/06/28	QUALITY SYMBOLS	GENERAL TOLERANCES (UNLESS SPECIFIED)	DIMENSION STYLE IN/MM	SCALE 2:1	DESIGN UNITS METRIC	THIRD ANGLE PROJECTION
	▽=0	mm INCH	DRAWN BY DATE	TITLE		
	▽=0	4 PLACES ± --- ± ---	MAB 5/20/96	SELECTIVELY-LOADED DUAL ROW, RT. ANG. HDR. (MAKE FIRST/BREAK LAST)		
	▽=0	3 PLACES ± --- ± .010	CHECKED BY DATE	MOLEX INCORPORATED		
		2 PLACES ± 0.25 ± .015	APPROVED BY DATE	DOCUMENT NO.		
		1 PLACE ± 0.38 ± ---	RAS 5/20/96	SDA-43759-*		
		ANGULAR ± 1/2°	MATERIAL NO.	SHEET NO.		
			SEE CHART	1 OF 2		
		DRAFT WHERE APPLICABLE MUST REMAIN WITHIN DIMENSIONS	SIZE C	THIS DRAWING CONTAINS INFORMATION THAT IS PROPRIETARY TO MOLEX INCORPORATED AND SHOULD NOT BE USED WITHOUT WRITTEN PERMISSION		

	13	12	11	10	9	8	7	6	5	4	3	2	1																												
ITEM NO.	CKT. SIZE	CHARACTERISTIC DESCRIPTION	LETTER INDICATES PIN PLATING AND LENGTH REQUIRED AT EACH CIRCUIT LOCATION. SEE NOTE 2 ON SHEET 1.																																				DIM "B"		
			1	2	3	4	5	6	7	8	9	10	11	12	13	14	15	16	17	18	19	20	21	22	23	24	25	26	27	28	29	30	31	32	33	34	35	36			
J	43759-0001	36 36A*	AS	AS	AS	AS	AS	AS	AS	AS	AS	AS	AS	AS	AS	AS	AS	AS	AS	AS	AM	AM	AM	AM	AM	AM	AM	AM	AM	AM	AM	AM	AM	AM	AM	AM	AM	AM	AM	.13 3.4	
	43759-0004	36 36B*	BS	BS	BS	BS	BS	BS	BS	BS	BS	BS	BS	BS	BS	BS	BS	BS	BS	BM	BM	BM	BM	BM	BM	BM	BM	BM	BM	BM	BM	BM	BM	BM	BM	BM	BM	BM	BM	BM	.13 3.4

CHARACTERISTICS LEGEND:

TERMINAL PLATING AND LENGTH

"AS" = TIN, STANDARD LENGTH  
 "BS" = GOLD, STANDARD LENGTH  
 "AM" = TIN, MATE-FIRST/BREAK-LAST  
 "BM" = GOLD, MATE-FIRST/BREAK-LAST

SEE SHEET 1 EC NO: UCP2017-2784 DRWN:APPELDORN 2017/06/26 CHKD:JBELL 2017/06/26 APPR:FSMITH 2017/06/28	DESCRIPTION □=0 □=0 □=0	QUALITY SYMBOLS	GENERAL TOLERANCES (UNLESS SPECIFIED)		DIMENSION STYLE <b>IN/MM</b>		SCALE <b>1:1</b>	DESIGN UNITS <b>METRIC</b>	THIRD ANGLE PROJECTION	
			mm	INCH	DRAWN BY MAB	DATE 5/20/96	<b>SELECTIVELY-LOADED          DUAL ROW, RT. ANG. HDR.          (MAKE FIRST/BREAK LAST)</b>			
			4 PLACES ± --- ± ---	3 PLACES ± --- ± .010	CHECKED BY RJF	DATE 5/20/96				
			2 PLACES ± 0.25 ± .015	1 PLACE ± 0.38 ± ---	APPROVED BY RAS	DATE 5/20/96	<b>MOLEX INCORPORATED</b>			
ANGULAR ±1/2°		MATERIAL NO.	DOCUMENT NO.	SDA-43759-*						
DRAFT WHERE APPLICABLE MUST REMAIN WITHIN DIMENSIONS			SIZE C	THIS DRAWING CONTAINS INFORMATION THAT IS PROPRIETARY TO MOLEX INCORPORATED AND SHOULD NOT BE USED WITHOUT WRITTEN PERMISSION						