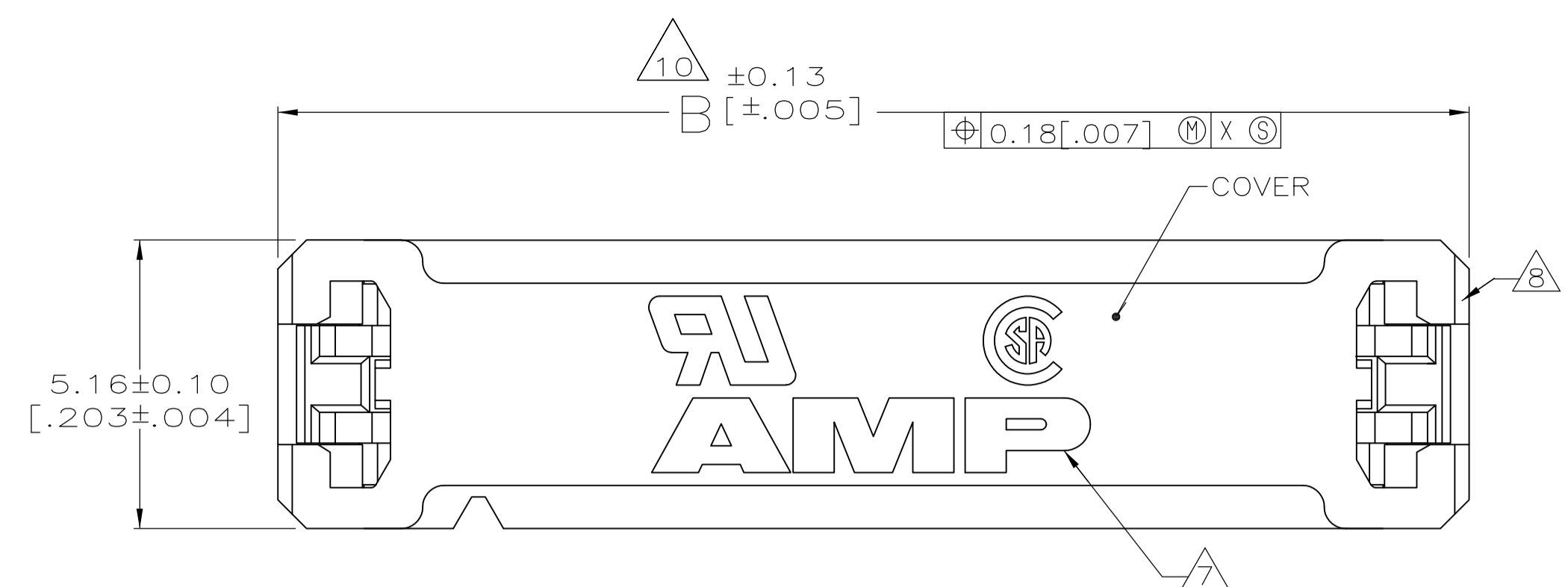
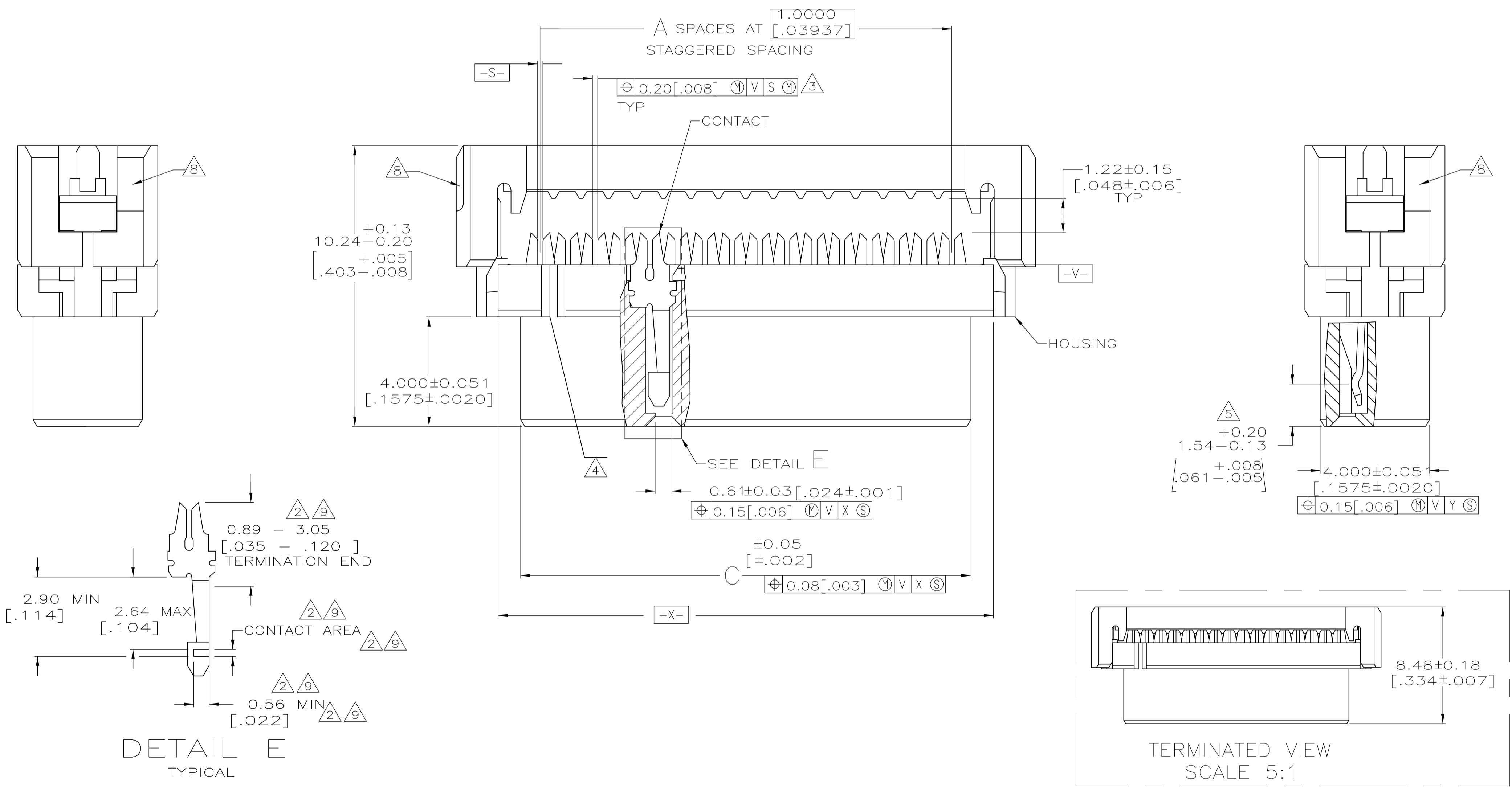


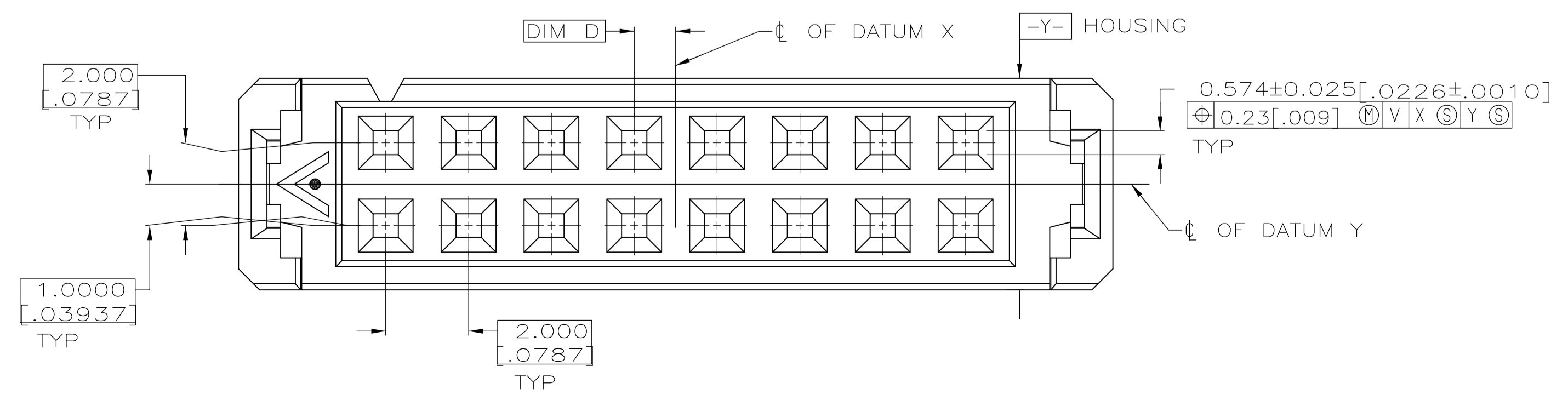
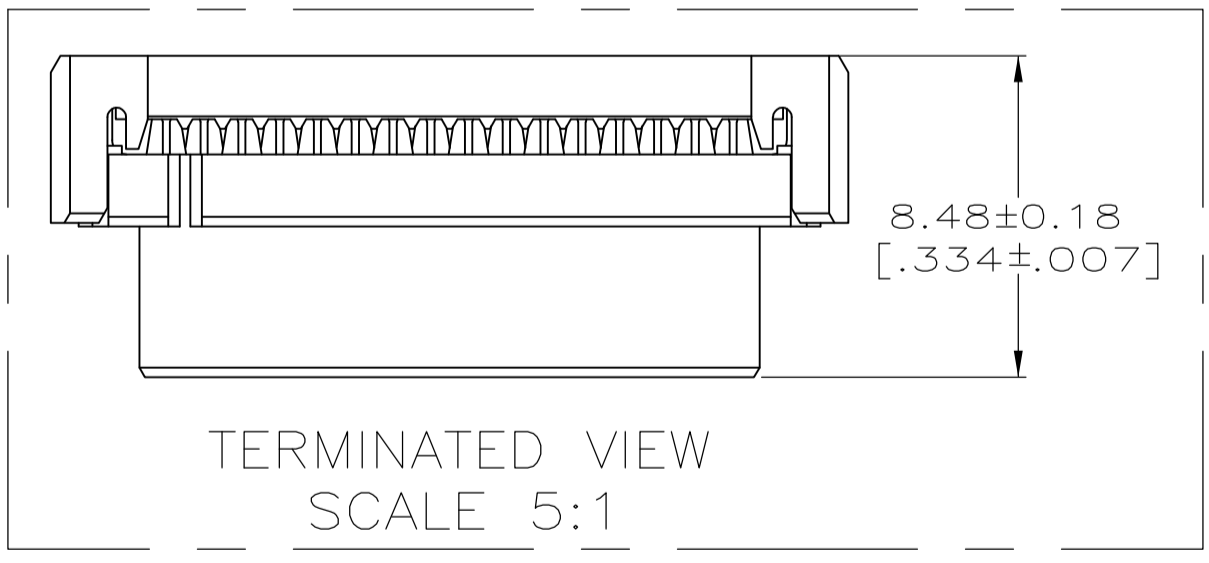
LOC		DIST		REVISIONS			
GP	00	F	LTR	DESCRIPTION	DATE	DMN	APVD
M2	REVISED PER	ECO-11-005033			23MAR11	RK	HMR



- 1 MOLDED PARTS: POLYESTER, UL RATED 94V-0, BLACK. CONTACTS: BERYLLIUM COPPER.
- 2 2.54 μm [.000100] MIN TIN-LEAD ON TERMINATION END, 0.76 μm [.000030] MIN GOLD ON CONTACT AREA, ALL OVER 1.27 μm [.000050] MIN NICKEL.
- 3 POSITION TOLERANCE APPLIES 0.76 [.030] ABOVE DATUM V.
- 4 POSITION NUMBER 1 INDICATOR.
- 5 ELECTRICAL ENGAGEMENT ZONE.
- 6. RECOMMENDED 28 AWG RIBBON CABLE, 0.61 - 0.97 [.024 - .038] THICK PVC, 1.0000 [.03937] PITCH.
- 7 AMP LOGO ORIENTATION IS OPTIONAL.
- 8 RECESS ON EACH END, OPPOSITE CORNER.
- 9 0.13 μm [.000005] MIN GOLD ON TERMINATION END, 0.76 μm [.000030] MIN GOLD ON CONTACT AREA, ALL OVER 1.27 μm [.000050] MIN NICKEL.
- 10 MOLD GATE PROJECTION ON EITHER END OF COVER TO BE EXCLUDED FROM DIMENSION 'B' MEASUREMENT.



REV	DESCRIPTION	DATE	DMN	APVD
25				
26				
23				
24				
15				
16				
7				
8				
49				
50				
43				
44				
39				
40				
33				
34				
19				
20				
13				
14				
9				
10				
OBSOLETE				
7				
8				
OBSOLETE				
21				
22				
OBSOLETE				
67				
68				
OBSOLETE				
63				
64				
OBSOLETE				
59				
60				
OBSOLETE				
49				
50				
OBSOLETE				
43				
44				
OBSOLETE				
39				
40				
OBSOLETE				
33				
34				
OBSOLETE				
29				
30				
OBSOLETE				
25				
26				
OBSOLETE				
23				
24				
OBSOLETE				
19				
20				
OBSOLETE				
15				
16				
OBSOLETE				
13				
14				
OBSOLETE				
9				
10				



THIS DRAWING IS A CONTROLLED DOCUMENT. DIMENSIONS: mm [INCHES]. TOLERANCES UNLESS OTHERWISE SPECIFIED: 0 PLC ± .005, 1 PLC ± .005, 2 PLC ± .005, 3 PLC ± .005, 4 PLC ± .005. MATERIAL: POLYESTER. FINISH: BERYLLIUM COPPER. DATE: 02-24-92. C. COBERMAN. J. McCLINTON. NAME: RECEPTACLE ASSY, 2mm CL, AMP-LATCH. SIZE: A1. CAGE CODE: 00779. DRAWING NO: 111626. WEIGHT: -. RESTRICTED TO: CUSTOMER DRAWING. SCALE: 10:1. SHEET: 1 of 1. REV: M2.

Mouser Electronics

Authorized Distributor

Click to View Pricing, Inventory, Delivery & Lifecycle Information:

[TE Connectivity:](#)

[2-111626-7](#)