



140×140×38 mm

San Ace 140 9P type   

General Specifications

- Material Frame: Plastic (Flammability: UL 94V-0), Impeller: Plastic (Flammability: UL 94V-1)
- Expected life See the table below. (L10 life: 90% survival rate for continuous operation in free air at 60°C, rated voltage)
- Motor protection function Locked rotor burnout protection, Reverse polarity protection
For details, please refer to p. 547.
- Dielectric strength 50/60 Hz, 500 VAC, for 1 minute (between lead wire conductors and frame)
- Insulation resistance 10 MΩ or more with a 500 VDC megger (between lead wire conductors and frame)
- Sound pressure level (SPL) At 1 m away from the air inlet
- Storage temperature -30 to +70°C (Non-condensing)
- Lead wire ⊕Red ⊖Black or Blue (Sensor) Yellow
- Mass 450 g

Specifications

The models listed below **have ribs and pulse sensors.**

Model no.	Rated voltage [V]	Operating voltage range [V]	Rated current [A]	Rated input [W]	Rated speed [min ⁻¹]	Max. airflow [m ³ /min] [CFM]	Max. static pressure [Pa] [inchH ₂ O]	SPL [dB (A)]	Operating temperature [°C]	Expected life [h]
109P1412H101	12	10.2 to 13.8	0.73	8.76	2600	4.5 159	94 0.378	46	-20 to +70	40000/60°C
109P1412M101			0.33	3.96	1900	3.3 117	52 0.209	38		
109P1424H101	24	20.4 to 27.6	0.37	8.88	2600	4.5 159	94 0.378	46		
109P1424M101			0.16	3.84	1900	3.3 117	52 0.209	38		
109P1448H101	48	40.8 to 55.2	0.2	9.6	2600	4.5 159	94 0.378	46		
109P1448M101			0.09	4.32	1900	3.3 117	52 0.209	38		

The following sensor and control options are available for selection.

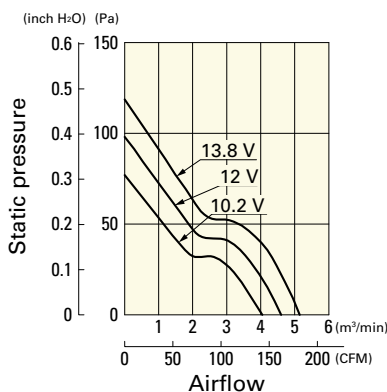
Available for all models. **Without sensor**

Differs according to the model. Refer to the table on p. 564. **Lock sensor**

Airflow - Static Pressure Characteristics

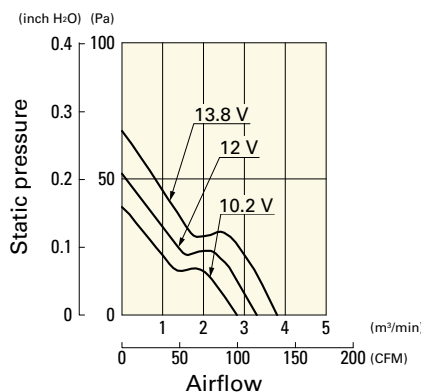
109P1412H101 With pulse sensor

Operating voltage range



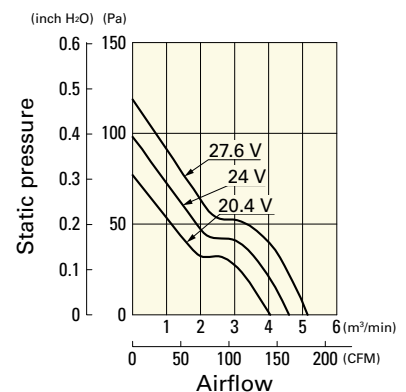
109P1412M101 With pulse sensor

Operating voltage range



109P1424H101 With pulse sensor

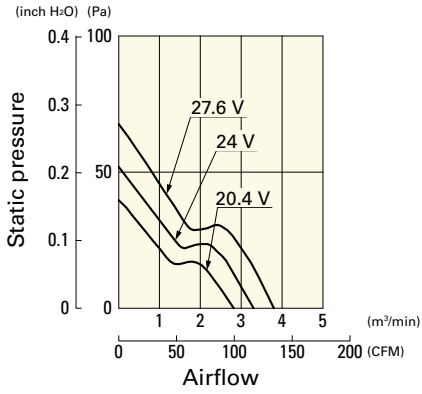
Operating voltage range



Airflow - Static Pressure Characteristics

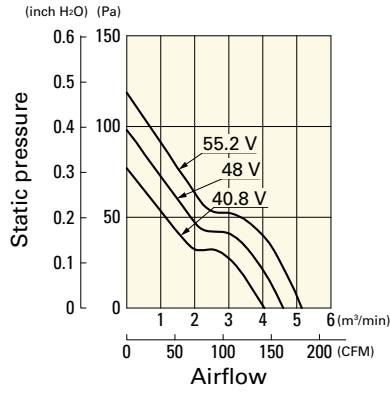
109P1424M101 With pulse sensor

Operating voltage range



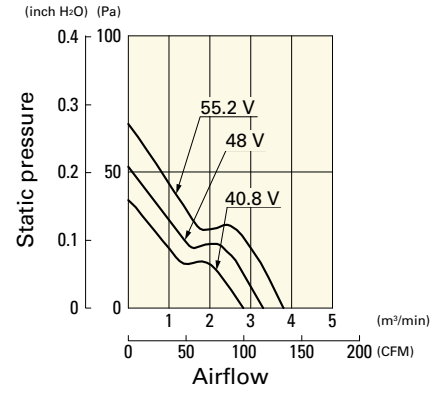
109P1448H101 With pulse sensor

Operating voltage range

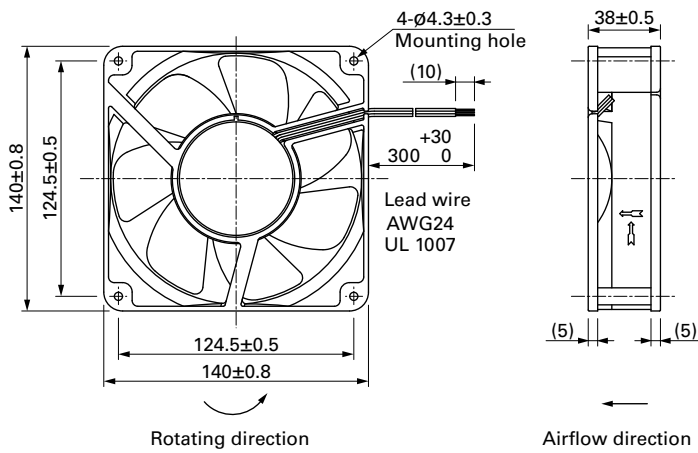


109P1448M101 With pulse sensor

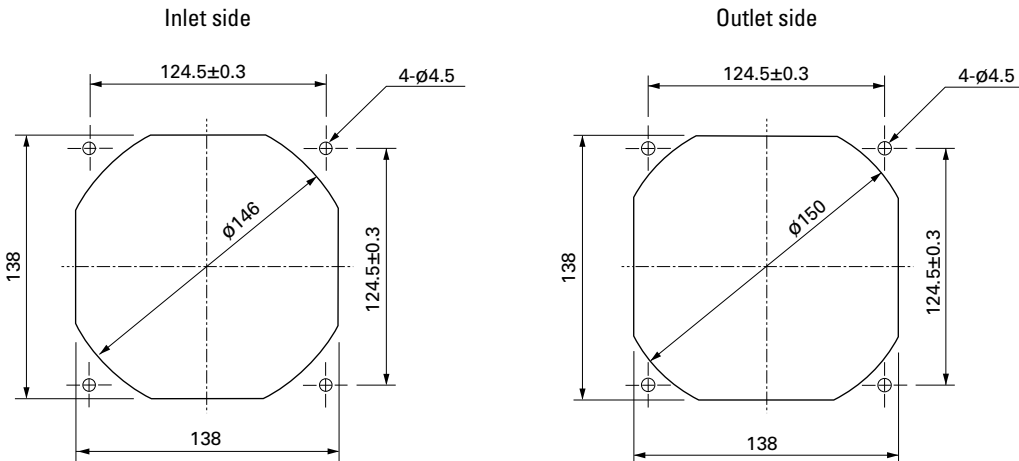
Operating voltage range



Dimensions (unit: mm)



Reference Dimensions of Mounting Holes and Vent Opening (unit: mm)



Options

Finger guards

page: p. 533

Model no.: 109-719, 109-719H

Mouser Electronics

Authorized Distributor

Click to View Pricing, Inventory, Delivery & Lifecycle Information:

Sanyo Denki:

[109P1412H101](#) [109P1412M101](#) [109P1424M101](#) [109P1424H101](#) [109P1448H101](#) [109P1448M101](#) [109P1424M102](#)
[109P1448H102](#) [109P1412H102](#) [109P1448M102](#) [109P1424H102](#) [109P1424H1D01](#) [109P1412H1D01](#)
[109P1412M102](#)