

Voltage selector switch with fuseholder, 6 stages, serie-parallel, panel mounting



## Approvals and Compliances

### Description

- Voltage Selector , with fuseholder , 6 stages
- Series-parallel connections
- For 5 x 20 mm fuse-links
- Solder terminals or quick connect terminals 2.8 x 0.5 mm

### References

We recommend for new applications the type [SWZ1 \(Frontpl\)](#)  
 Last order date: 31.12.2016

### Technical Data

Ratings	IEC: 6.3 A / 250 VAC; 50 Hz	Solderability	350 °C / 2 sec acc. to IEC 60068-2-20, Test Ta, method 2	
	UL: 10 A / 250 VAC; 60 Hz		Resistance to Soldering Heat	350 °C / 5 sec acc. to IEC 60068-2-20, Test Tb, method 1B
	CSA: 6.3 A / 250 VAC; 60 Hz			Insulation Resistance
Mounting	Panel Mount from front side	Contact Resistance	< 10 mΩ at 20 mV	
Fastening	Screw-on mounting	Dielectric Strength	> 2kVAC between L-N > 4kVAC between L/N-PE (1min; 50Hz)	
Terminal	Solder or Quick-Connect	Clearance and Creepage Distance	> 3mm > 8mm between L/N-PE	
Number of Stages	6	Resistance to Vibration	acc. to IEC 60068-2-6, test Fc	
Lifetime	300 operating cycles (without load)			
Shock-Safe Category	PC2			
Protection Class	Suitable for appliances with protection class II acc. to IEC 61140			
Allowable Operation Temperature	-40 °C to 70 °C			
Climatic Category	25/85/21 acc. to IEC 60068-1			
Material: Socket	Thermoplastic, black, UL 94V-0			
Weight	23.2 g			

## Approvals and Compliances

Detailed information on product approvals, code requirements, usage instructions and detailed test conditions can be looked up in [Details about Approvals](#)

### Approvals

The approval mark is used by the testing authorities to certify compliance with the safety requirements placed on electronic products.

Approval Reference Type: SWS

Approval Logo	Certificates	Certification Body	Description
	<a href="#">UL Approvals</a>	UL	UL File Number: E39328
	<a href="#">CSA Approvals</a>	CSA	CSA Certification Record: LR45945
	<a href="#">SEMKO Approvals</a>	SEMKO	Svenska Elektriska Materielkontrollanstalten


### Product standards

Product standards that are referenced

Organization	Design	Standard	Description
	Designed according to	UL 508	Industrial control equipment
	Designed according to	CSA C22.2 no. 55	Fuseholder general requirements



**Application standards**

Application standards where the product can be used

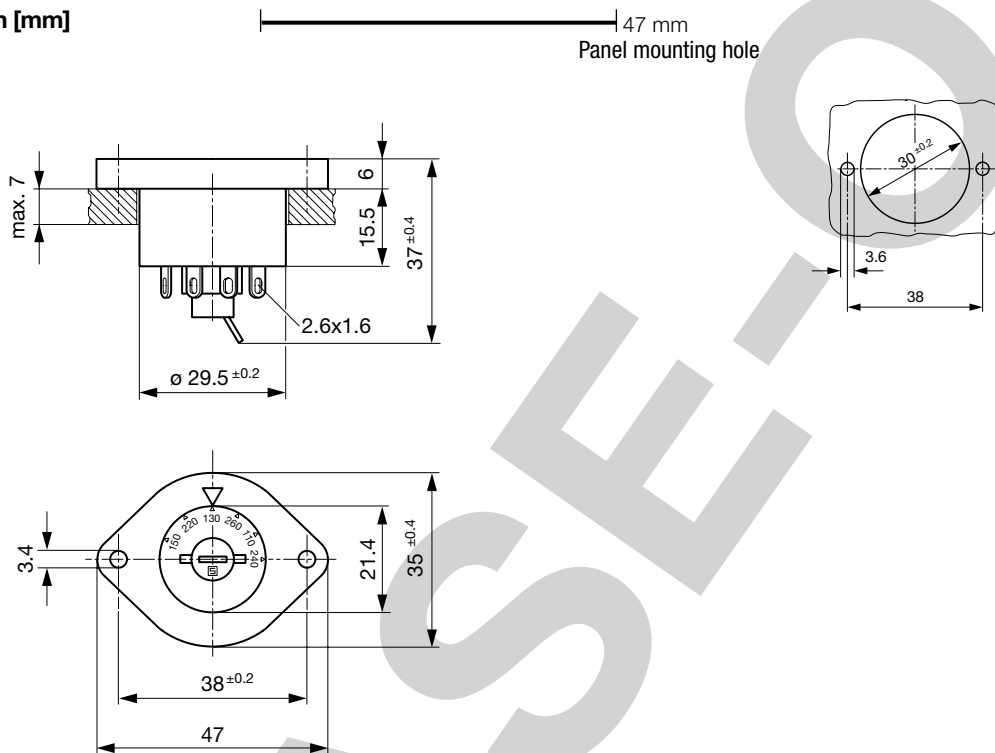
Organization	Design	Standard	Description
	Designed for applications acc.	IEC/UL 60950	IEC 60950-1 includes the basic requirements for the safety of information technology equipment.

**Compliances**

The product complies with following Guide Lines

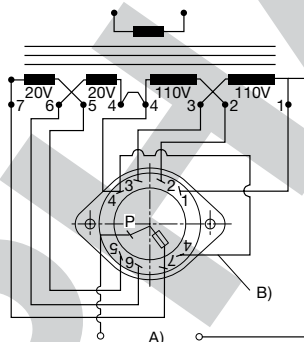
Identification	Details	Initiator	Description
	<a href="#">CE declaration of conformity</a>	SCHURTER AG	The CE marking declares that the product complies with the applicable requirements laid down in the harmonisation of Community legislation on its affixing in accordance with EU Regulation 765/2008.
	<a href="#">REACH</a>	SCHURTER AG	On 1 June 2007, Regulation (EC) No 1907/2006 on the Registration, Evaluation, Authorization and Restriction of Chemicals 1 (abbreviated as "REACH") entered into force.

**Dimension [mm]**



**Diagrams**

Reverse view



A) Power mains  
 B) External connection

All Variants

Letterings						Terminal	Order Number
Stage 1	Stage 2	Stage 3	Stage 4	Stage 5	Stage 6		
150	220	130	260	110	240	Solder terminals	0033.6001
						Solder terminals	0033.6014
150	220	130	260	110	240	Quick connect terminals 2.8 x 0.5 mm	0033.6101
						Quick connect terminals 2.8 x 0.5 mm	0033.6114

Availability for all products can be searched real-time: <https://www.schurter.com/en/Stock-Check/Stock-Check-SCHURTER>

**Packaging Unit**    50 Pcs

PHASE-OUT

# Mouser Electronics

Authorized Distributor

Click to View Pricing, Inventory, Delivery & Lifecycle Information:

## Schurter:

[0033.6001](#) [0033.6003](#) [0033.6004](#) [0033.6014](#) [0033.6015](#) [0033.6019](#) [0033.6022](#) [0033.6026](#) [0033.6029](#) [0033.6101](#)  
[0033.6104](#) [0033.6107](#) [0033.6107.1](#) [0033.6116](#) [0033.6119](#) [0033.6122](#) [0033.6127](#)