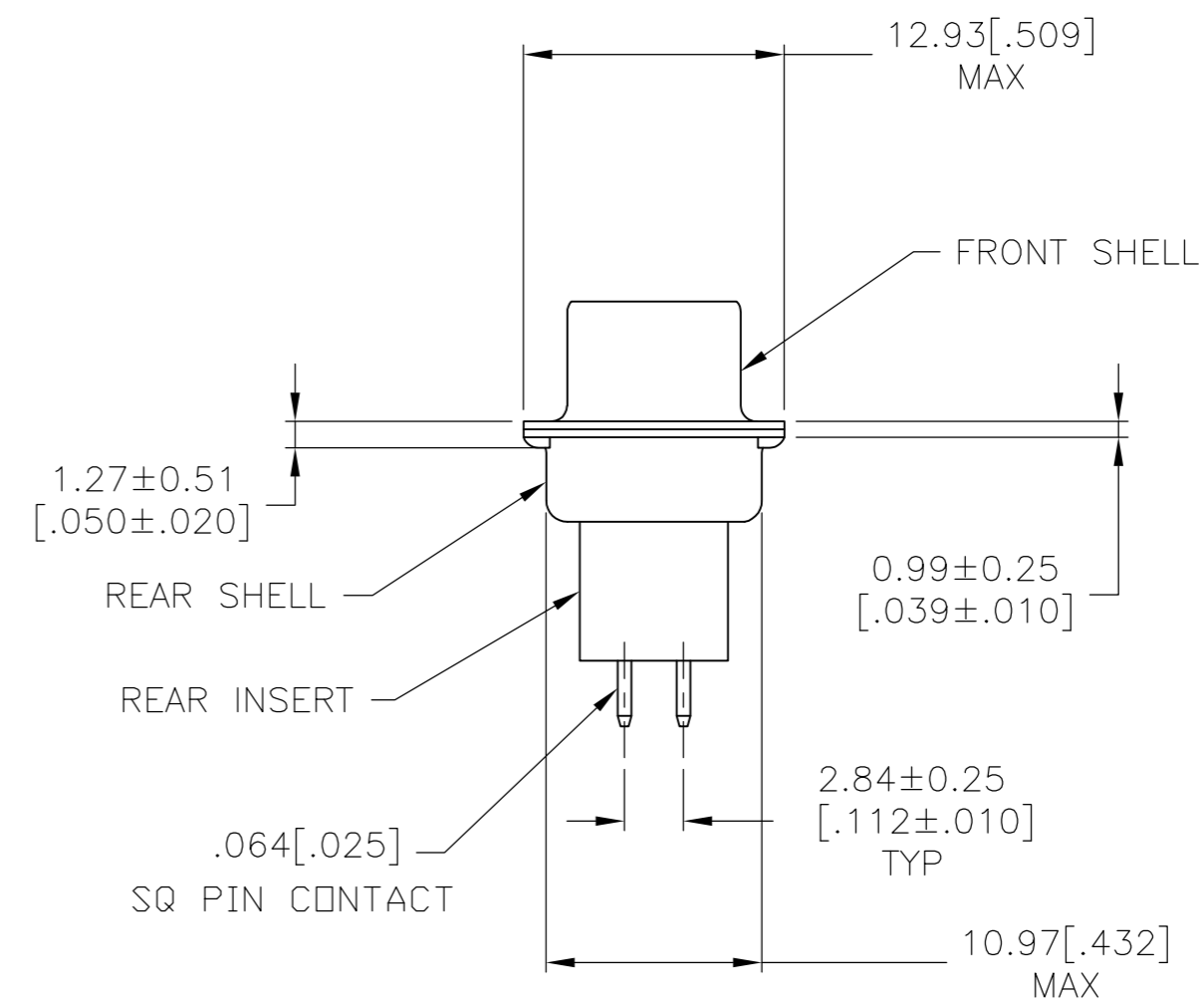
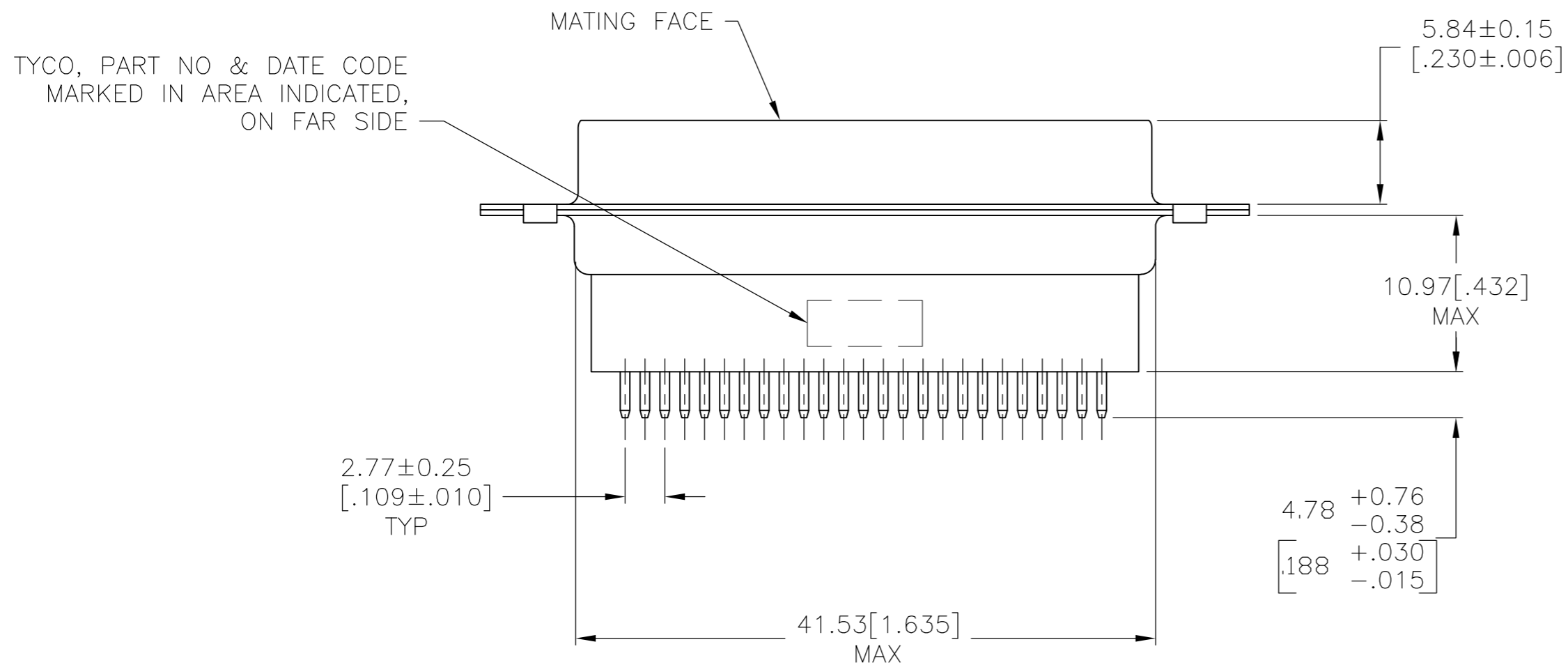
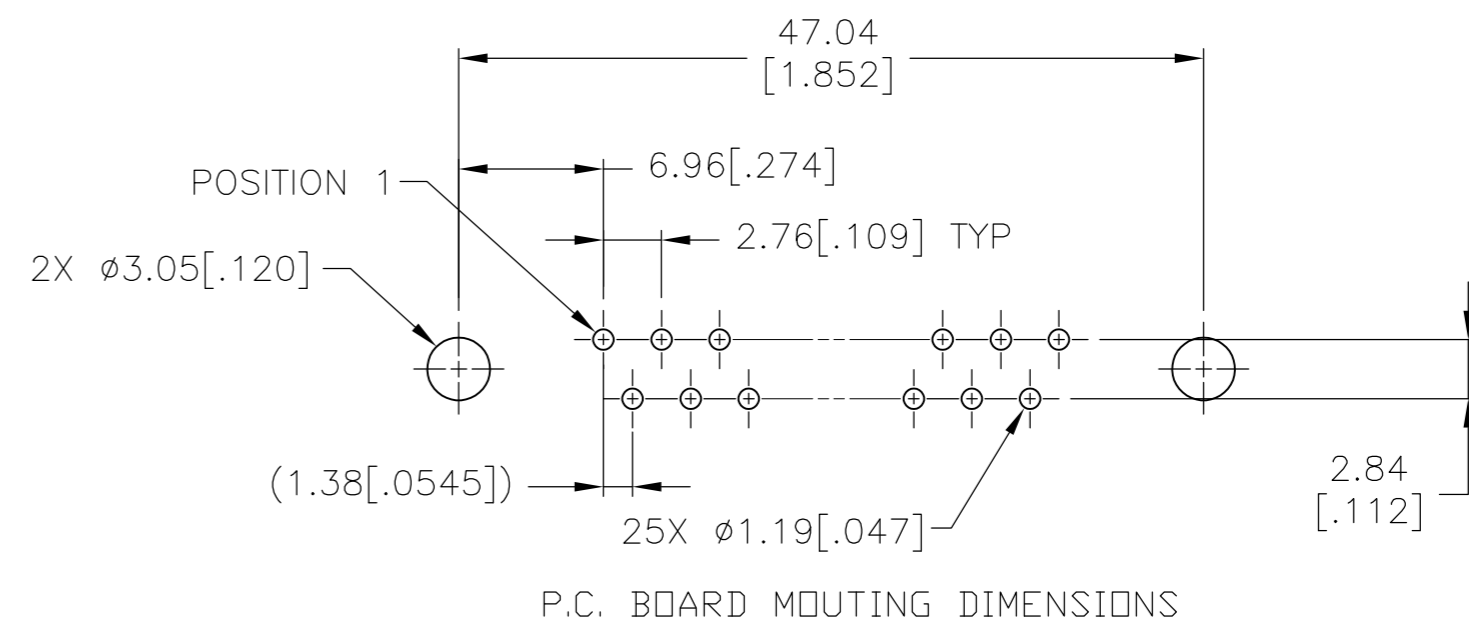
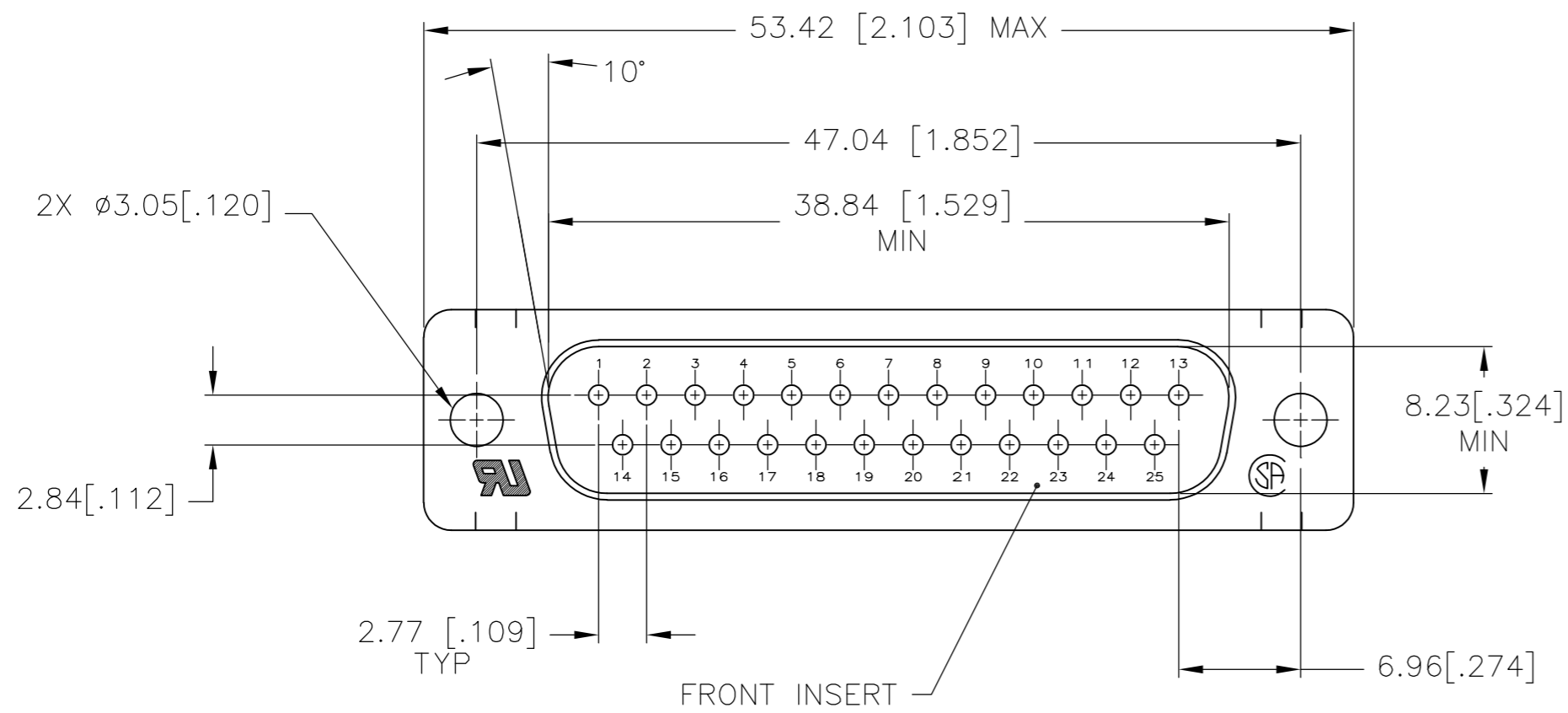


THIS DRAWING IS UNPUBLISHED. RELEASED FOR PUBLICATION  
 © COPYRIGHT 2005 By - ALL RIGHTS RESERVED.

LOC		DIST		REVISIONS					
P	LTR	DESCRIPTION	DATE	DWN	APVD				
GP	00			D		REVISED PER ECO-14-011808	11AUG2014	AP	SB



⚠ MOLDED PARTS: GLASS-FILLED PBT OR GLASS-FILLED NYLON, UL94V-0 RATED. COLOR: BLACK.  
 SHELLS: CARBON STEEL  
 CONTACTS: BRASS

⚠ SHELLS: 5.08µm [.000200] MIN ZINC WITH YELLOW CHROMATE COATING.  
 CONTACTS: GOLD PLATED FOR LENGTH OF 3.81 [.150] MIN FROM MATING END,  
 0.76µm [.000030] MIN GOLD IN MATED AREA,  
 2.54µm [.000100] MIN TIN ON SOLDER END, BOTH OVER  
 1.27µm [.000050] MIN NICKEL.  
 OR  
 GOLD FLASH OVER PALLADIUM-NICKEL PLATED FOR LENGTH OF  
 3.81 [.150] MIN FROM MATING END,  
 0.76µm [.000030] MIN TOTAL IN MATED AREA,  
 2.54µm [.000100] MIN TIN ON SOLDER END, BOTH OVER  
 1.27µm [.000050] MIN NICKEL.

5205737-7  
 PART NUMBER

THIS DRAWING IS A CONTROLLED DOCUMENT.		DWN B. LATTUCA 09NOV2005	TE Connectivity															
DIMENSIONS: mm [INCHES]		CHK S. BOLASH 14NOV2005																
TOLERANCES UNLESS OTHERWISE SPECIFIED:		APVD M. WALMSLEY 14NOV2005	NAME PLUG ASSY, SIZE 3, 25 POS, VERTICAL, AMPLIMITE HDP															
<table border="0"> <tr><td>0 PLC</td><td>± -</td></tr> <tr><td>1 PLC</td><td>± -</td></tr> <tr><td>2 PLC</td><td>± -</td></tr> <tr><td>3 PLC</td><td>± -</td></tr> <tr><td>4 PLC</td><td>± -</td></tr> <tr><td>ANGLES</td><td>± -</td></tr> <tr><td>FINISH</td><td>± -</td></tr> </table>		0 PLC	± -	1 PLC	± -	2 PLC	± -	3 PLC	± -	4 PLC	± -	ANGLES	± -	FINISH	± -	PRODUCT SPEC 108-40025	SIZE A2	CAGE CODE 00779
0 PLC	± -																	
1 PLC	± -																	
2 PLC	± -																	
3 PLC	± -																	
4 PLC	± -																	
ANGLES	± -																	
FINISH	± -																	
MATERIAL 1	FINISH 2	APPLICATION SPEC 114-40013	DRAWING NO C=5205737	RESTRICTED TO -														
CUSTOMER DRAWING			SCALE NTS	SHEET 1 of 1														

# Mouser Electronics

Authorized Distributor

Click to View Pricing, Inventory, Delivery & Lifecycle Information:

[TE Connectivity:](#)

[5205737-7](#)