

THIS DRAWING IS UNPUBLISHED.

RELEASED FOR PUBLICATION

ALL RIGHTS RESERVED.

© COPYRIGHT - By -

LOC AF DIST 50

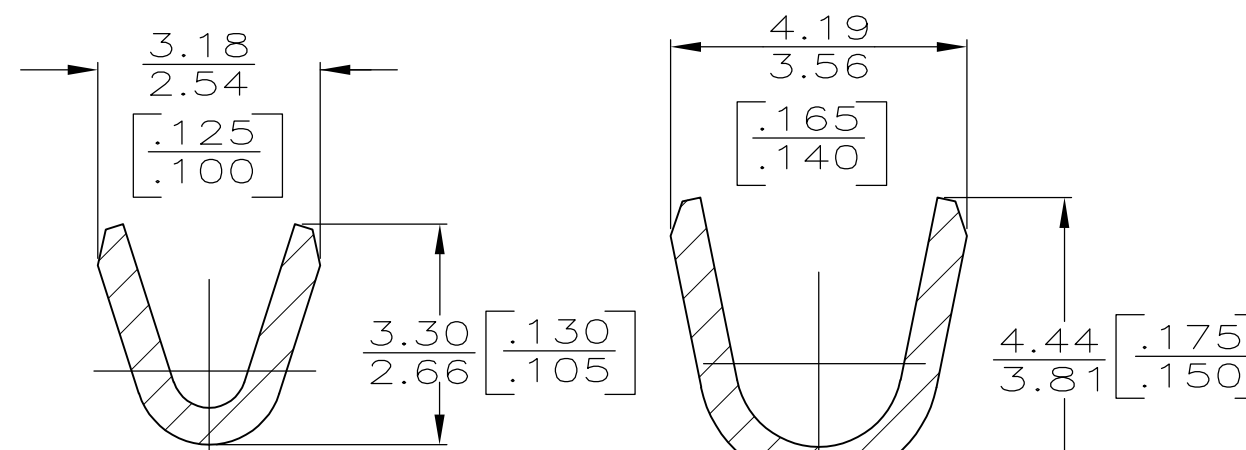
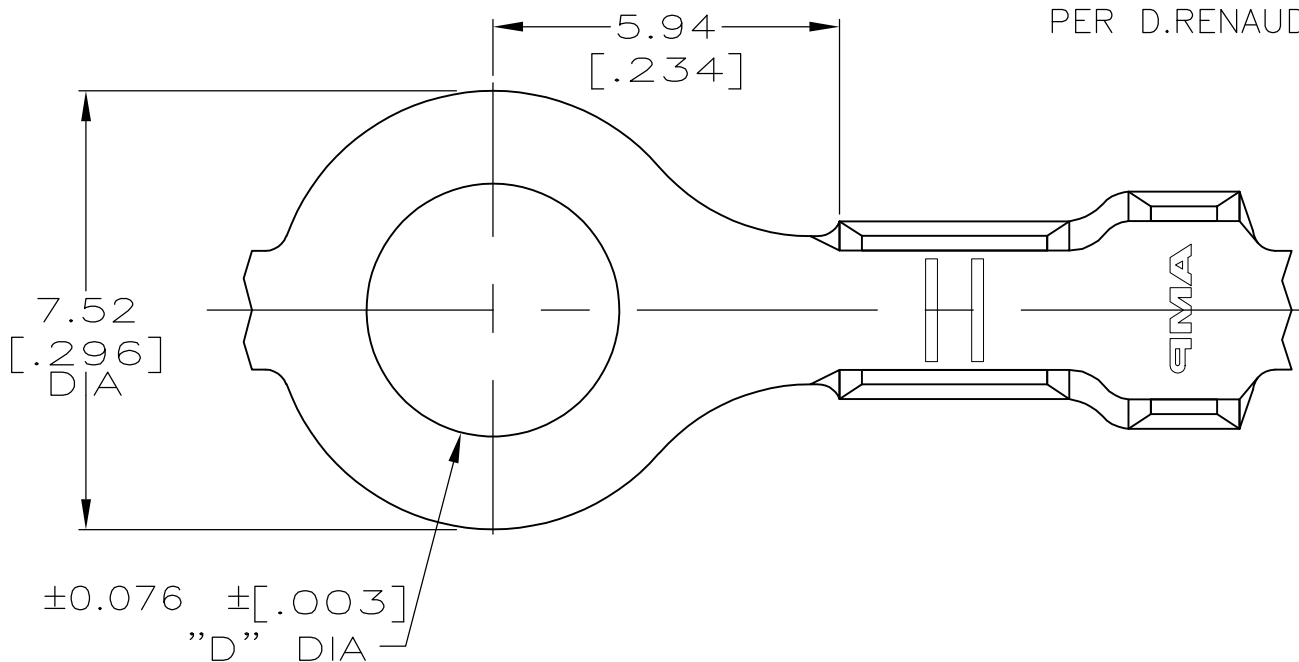
REVISIONS

P	LTR	DESCRIPTION	DATE	DWN	APVD
	L2	REVISED PER ECO-11-004587	11MAR11	RK	HMR

6 REDUCED PACKAGE QUANTITY.

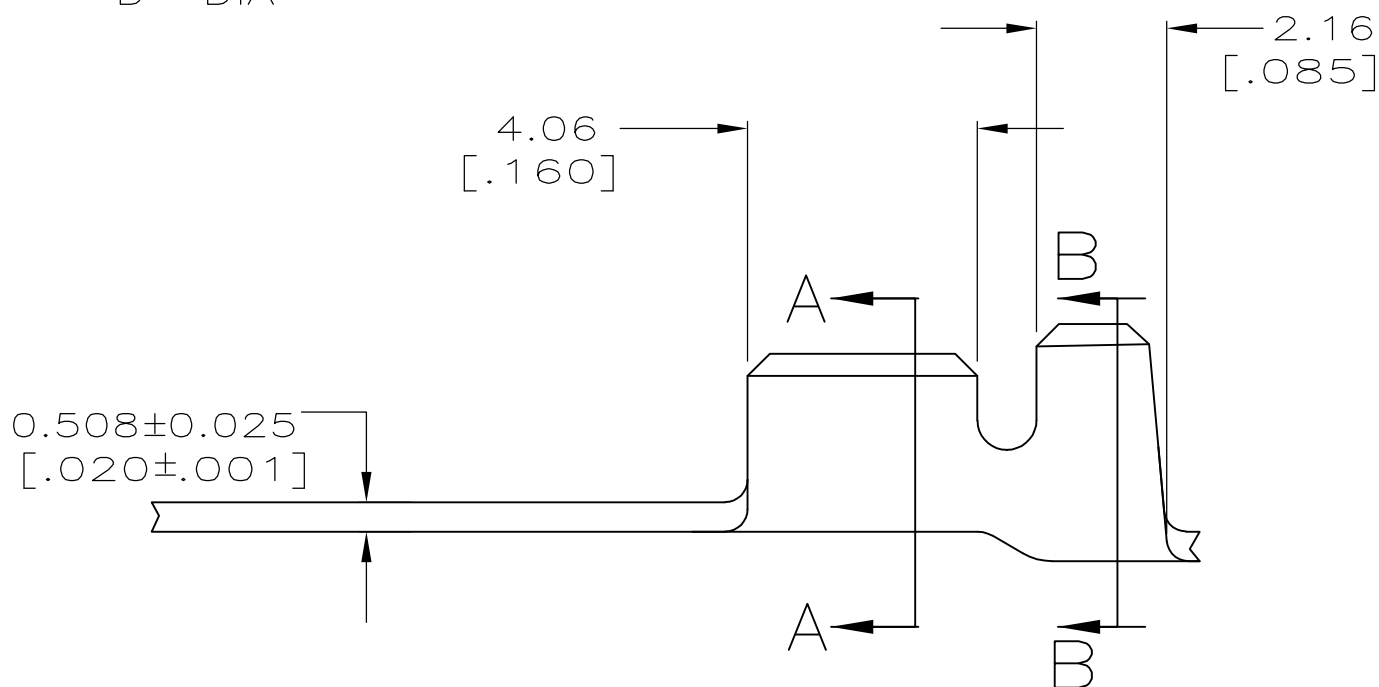
7 OBSOLETE PARTS: OBSOLETE CIS STREAMLINING PER D.RENAUD/D.SINISI

- 1 CONTINUOUS STRIP ON REEL.
- 2 WIRE SIZE IS [#22-#18] AWG.
- 3 INSULATION RANGE IS 2.03-2.79 [.080-.110] DIA.
- 4 FOR FOREIGN PRODUCTION ONLY REELED WITH PAPER INTERLEAVE
- 5 PRELIMINARY - NOT FOR PRODUCTION



SECTION A-A SCALE 10:1

SECTION B-B SCALE 10:1



FINISH	STUD SIZE	D	DIM	PART NO
TIN PLATING	M 3.5 - [#6]	3.68	[.145]	42037-9
TIN PLATING	[#10]	5.00	[.197]	42037-8
OBSOLETE	TIN PLATING M 4 - [#8]	4.34	[.171]	42037-7
OBSOLETE	TIN PLATING [#10]	5.00	[.197]	42037-6
TIN PLATING	[#10]	5.00	[.197]	42037-2
TIN PLATING	M 4 - [#8]	4.34	[.171]	42037-1
TIN PLATING	M 3.5 - [#6]	3.68	[.145]	42037

THIS DRAWING IS A CONTROLLED DOCUMENT.		DWN JR RUTH 01AUG00	TE Connectivity RING					
DIMENSIONS: mm [INCHES]		CHK MS FEHER 01AUG00				NAME		
TOLERANCES UNLESS OTHERWISE SPECIFIED:		APVD D DECKER 01AUG00				PRODUCT SPEC		
0 PLC ± - 1 PLC ± - 2 PLC ± 0.25 [.010] 3 PLC ± - 4 PLC ± - ANGLES ± -		APPLICATION SPEC						
MATERIAL 082 BRASS	FINISH SEE TABLE	WEIGHT -	SIZE A3	CAGE CODE 00779	DRAWING NO C-42037	RESTRICTED TO -		
CUSTOMER DRAWING			SCALE 8:1	SHEET 1 OF 1	REV L2			

Mouser Electronics

Authorized Distributor

Click to View Pricing, Inventory, Delivery & Lifecycle Information:

[TE Connectivity:](#)

[42037](#)