

4

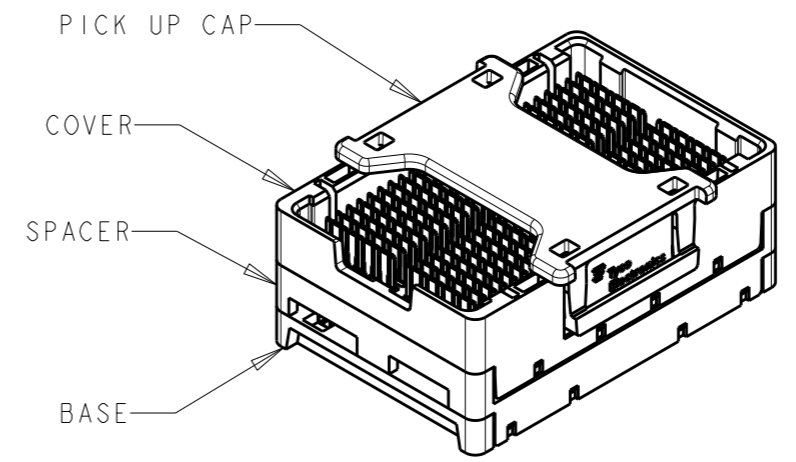
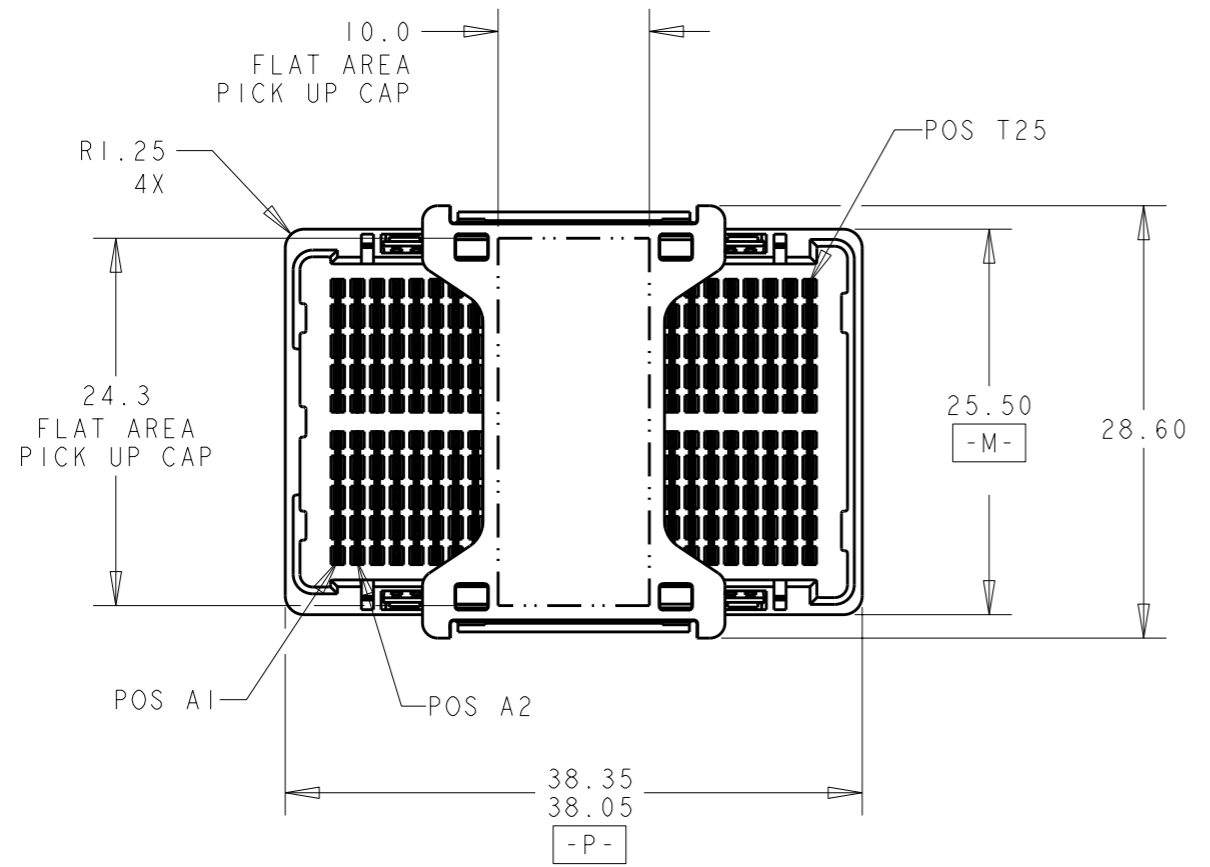
3

2

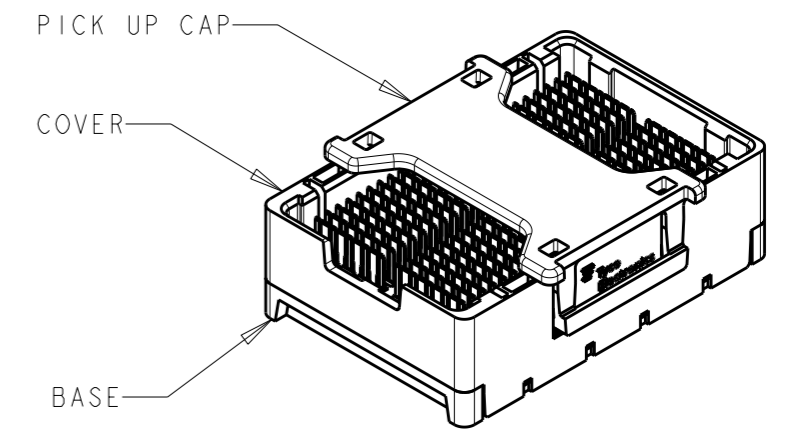
1

THIS DRAWING IS UNPUBLISHED. RELEASED FOR PUBLICATION 20  
 © COPYRIGHT 20 ALL RIGHTS RESERVED.

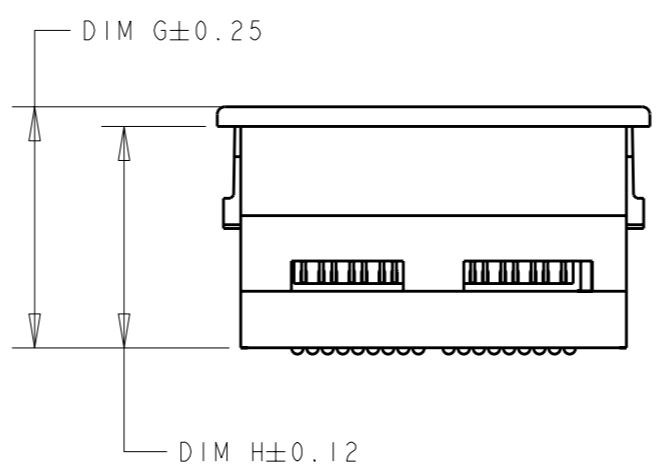
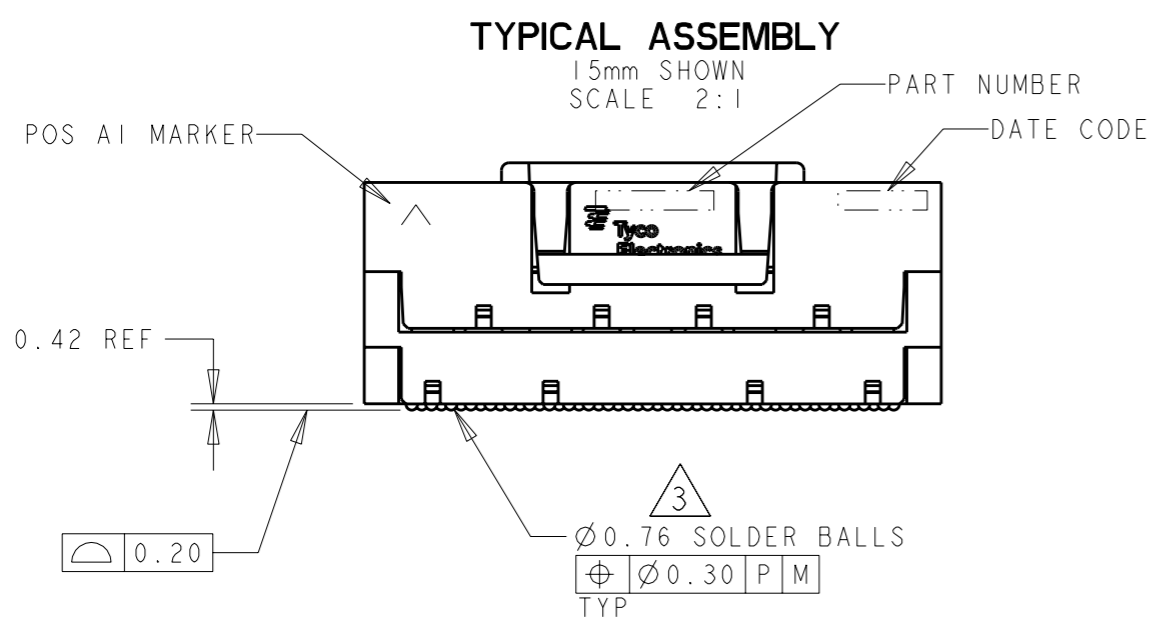
LOC	DIST	REVISIONS				
P	LTR	DESCRIPTION	DATE	DWN	APVD	
GP	00	A6	REVISED PER ECO-11-005139	13MAY2011	RK	HMR



**ISOMETRIC VIEW**  
 TYPICAL CONFIGURATION FOR  
 15mm, 20mm & 25mm ASSEMBLY  
 SCALE 3:2



**ISOMETRIC VIEW**  
 TYPICAL CONFIGURATION FOR  
 10mm, 12mm, & 13mm ASSEMBLY  
 SCALE 3:2



THIS DRAWING IS A CONTROLLED DOCUMENT.		DWN P BRANDBERG 17DEC04	<b>TE Connectivity</b>	
DIMENSIONS: mm		CHK D WERTZ 05JAN05		
TOLERANCES UNLESS OTHERWISE SPECIFIED:		APVD D WERTZ 05JAN05	NAME STEP-Z, PLUG ASSEMBLY, 200 SIGNAL POSITION	
0 PLC ±- 1 PLC ±0.3 2 PLC ±0.10 3 PLC ±0.050 4 PLC ±- ANGLES ±2°		PRODUCT SPEC 108-2143	SIZE A3	
MATERIAL 1		APPLICATION SPEC 114-13101	CAGE CODE 00779	DRAWING NO 1761614
FINISH 2		WEIGHT -	RESTRICTED TO -	
		CUSTOMER DRAWING	SCALE -	SHEET 1 OF 5
			REV A6	

THIS DRAWING IS UNPUBLISHED.

RELEASED FOR PUBLICATION

20

© COPYRIGHT 20

ALL RIGHTS RESERVED.

LOC GP DIST 00

REVISIONS

P	LTR	DESCRIPTION	DATE	DWN	APVD
-		SEE SHEET 1	-	-	-

1 MATERIAL:  
 BASE, SPACER, COVER: THERMOPLASTIC  
 PICK UP CAP: THERMOPLASTIC  
 CONTACT: COPPER ALLOY  
 SOLDER BALL: Sn/Pb FOR P/N 1761614-1 THRU 5-1761614-0  
 Sn/Ag FOR P/N 5-1761614-1 THRU 9-1761614-9

2 FINISH:  
 CONTACT: 0.00076 MIN GOLD OVER 0.00127 MIN NICKEL.  
 (30µ" MIN GOLD OVER 50µ" MIN NICKEL)

3 SOLDER BALLS WILL NOT BE PERFECT  
 SPHERICAL SHAPE DUE TO REFLOW ATTACHMENT.

4 CONTACTS IN ROWS A,C,E,G,J,K,M,P,R, AND T  
 ARE SINGLE BEAM CONTACTS,  
 TYPICALLY USED AS GROUND PINS.  
 (NOTE: CONTACTS IN ROW J & K ARE TIED  
 TOGETHER [COMMONED]).


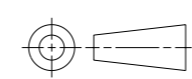
5 CONTACTS IN ROWS B,D,F,H,L,N,Q, AND S  
 ARE DUAL BEAM CONTACTS,  
 TYPICALLY USED AS SIGNAL PINS.

6 SPECIFIED POSITIONAL TOLERANCE DEFINES PAD TO PAD  
 LOCATION WITHIN LAND PATTERN. POSITIONAL TOLERANCE  
 OF LAND PATTERN TO FUDICIAL MARKS OR PCB DATUMS  
 SHALL BE DEFINED BY CUSTOMER. FOR RECOMMENDED  
 PRODUCT APPLICATION AND PCB DESIGN DETAILS, SEE  
 APPLICATION SPEC 114-13101.

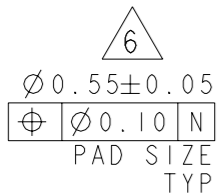
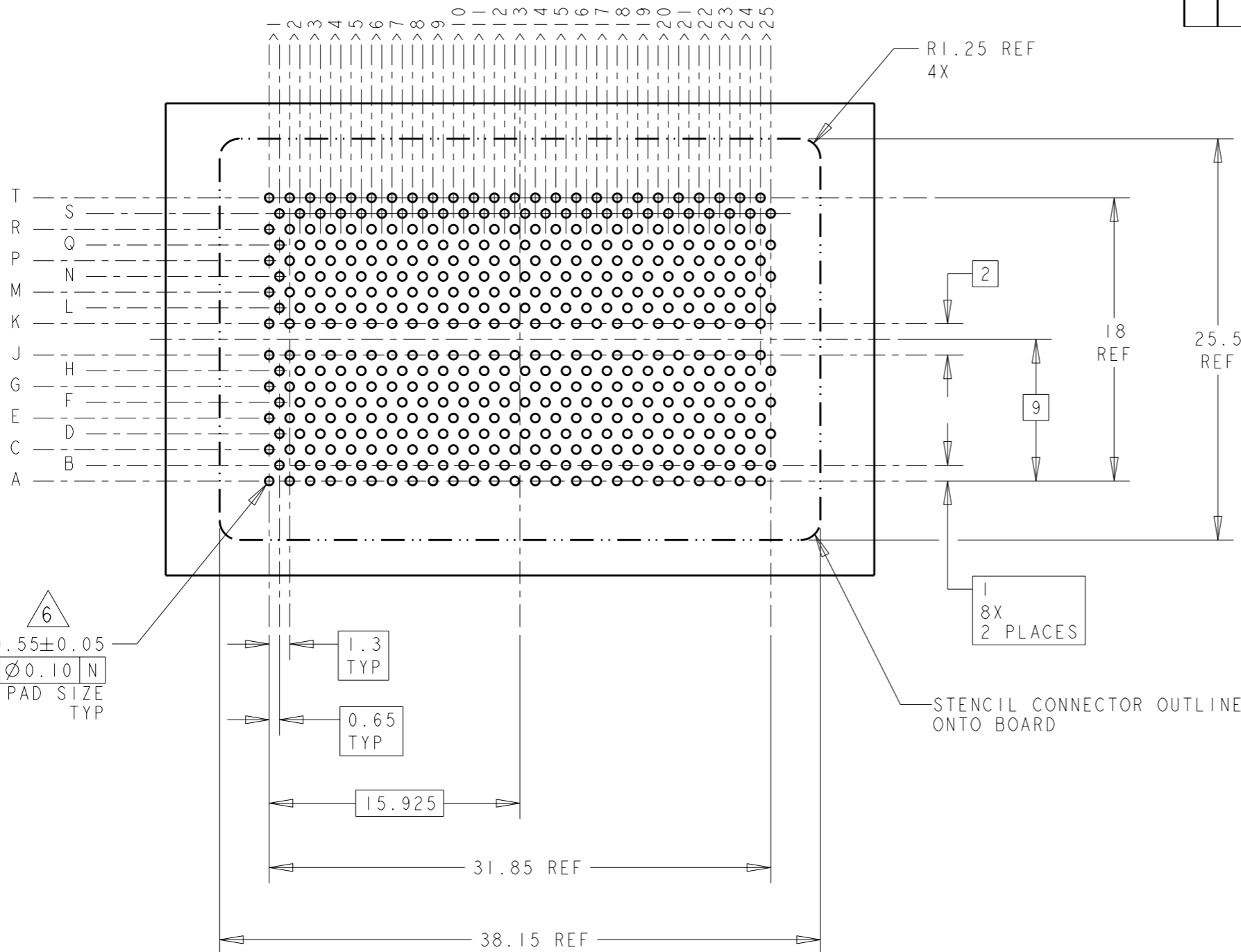
7 SOLDER PADS UNUSED, MAY BE OMITTED.

8 REFERENCE BOARD PATTERN FOR DIMENSIONS  
 AND DETAILS NOT SHOWN.

11.65	12.95	SELECT LOAD-112 POSN-SEE VIEW 35	12mm Sn/Ag	8-1761614-5
12.65	13.95	SELECT LOAD-104 POSN-SEE VIEW 31	13mm Sn/Ag	8-1761614-3
19.65	20.95	SELECT LOAD-104 POSN-SEE VIEW 31	20mm Sn/Ag	8-1761614-2
9.65	10.95	SELECT LOAD-104 POSN-SEE VIEW 31	10mm Sn/Ag	8-1761614-1
24.65	25.95	FULL LOAD-200 POSN	25mm Sn/Ag	7-1761614-5
19.65	20.95	FULL LOAD-200 POSN	20mm Sn/Ag	7-1761614-0
14.65	15.95	FULL LOAD-200 POSN	15mm Sn/Ag	6-1761614-5
12.65	13.95	FULL LOAD-200 POSN	13mm Sn/Ag	6-1761614-3
11.65	12.95	FULL LOAD-200 POSN	12mm Sn/Ag	6-1761614-2
9.65	10.95	FULL LOAD-200 POSN	10mm Sn/Ag	6-1761614-0
9.65	10.95	SELECT LOAD-120 POSN-SEE VIEW 34	10mm Sn/Pb	3-1761614-4
12.65	13.95	SELECT LOAD-104 POSN-SEE VIEW 31	13mm Sn/Pb	3-1761614-3
19.65	20.95	SELECT LOAD-104 POSN-SEE VIEW 31	20mm Sn/Pb	3-1761614-2
9.65	10.95	SELECT LOAD-104 POSN-SEE VIEW 31	10mm Sn/Pb	3-1761614-1
24.65	25.95	FULL LOAD-200 POSN	25mm Sn/Pb	2-1761614-5
19.65	20.95	FULL LOAD-200 POSN	20mm Sn/Pb	2-1761614-0
14.65	15.95	FULL LOAD-200 POSN	15mm Sn/Pb	1-1761614-5
12.65	13.95	FULL LOAD-200 POSN	13mm Sn/Pb	1-1761614-3
11.65	12.95	FULL LOAD-200 POSN	12mm Sn/Pb	1-1761614-2
9.65	10.95	FULL LOAD-200 POSN	10mm Sn/Pb	1-1761614-0
DIM H	DIM G	LOAD STYLE	DESCRIPTION	PART NUMBER

THIS DRAWING IS A CONTROLLED DOCUMENT.		DWN P BRANDBERG 17DEC04	 TE Connectivity	
		CHK D WERTZ 05JAN05		
DIMENSIONS: mm		APVD D WERTZ 05JAN05	NAME STEP-Z, PLUG ASSEMBLY, 200 SIGNAL POSITION	
		PRODUCT SPEC 108-2143	RESTRICTED TO	
TOLERANCES UNLESS OTHERWISE SPECIFIED:		APPLICATION SPEC 114-13101	SIZE A3	CAGE CODE 00779
0 PLC ±-		WEIGHT -	DRAWING NO C-1761614	SCALE -
1 PLC ±0.3		CUSTOMER DRAWING		
2 PLC ±0.10		SHEET 2 OF 5		
3 PLC ±0.050		REV A6		
4 PLC ±-				
ANGLES ±2°				
MATERIAL -				
FINISH -				

P	LTR	DESCRIPTION	DATE	DWN	APVD
-	-	SEE SHEET 1	-	-	-



4 5 BOARD PATTERN  
SCALE 3:1

THIS DRAWING IS A CONTROLLED DOCUMENT.

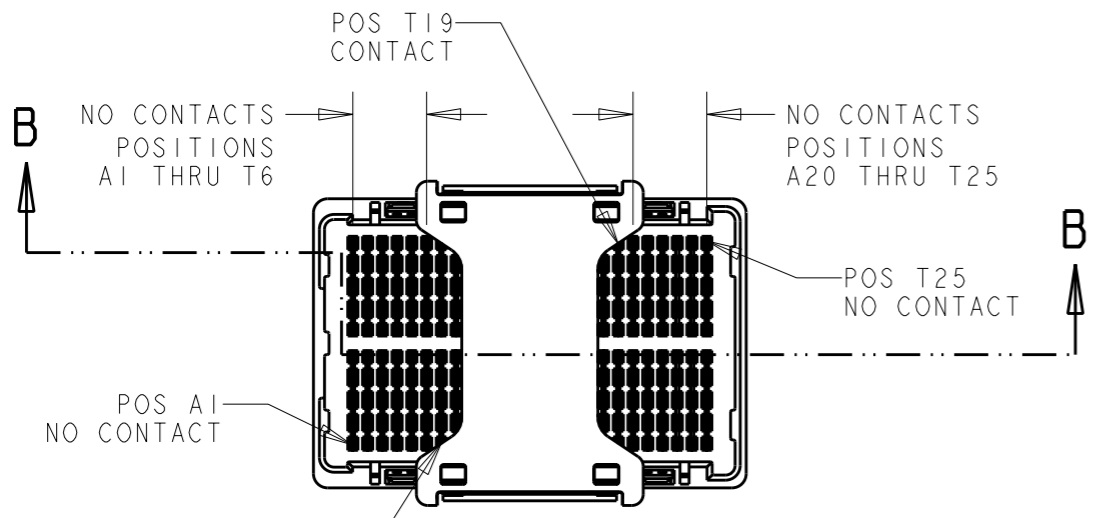
DIMENSIONS:	TOLERANCES UNLESS OTHERWISE SPECIFIED:
mm	
	0 PLC ±-
	1 PLC ±0.3
	2 PLC ±0.10
	3 PLC ±0.050
	4 PLC ±-
	ANGLES ±2°
MATERIAL -	FINISH -

DWN	P BRANDBERG	17DEC04
CHK	D WERTZ	05JAN05
APVD	D WERTZ	05JAN05
PRODUCT SPEC	108-2143	
APPLICATION SPEC	114-13101	
WEIGHT	-	

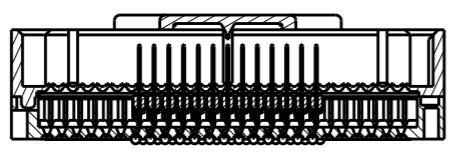
TE Connectivity		NAME	
		STEP-Z, PLUG ASSEMBLY, 200 SIGNAL POSITION	
SIZE	CAGE CODE	DRAWING NO	RESTRICTED TO
A3	00779	C-1761614	-

THIS DRAWING IS UNPUBLISHED. RELEASED FOR PUBLICATION 20  
 © COPYRIGHT 20 ALL RIGHTS RESERVED.

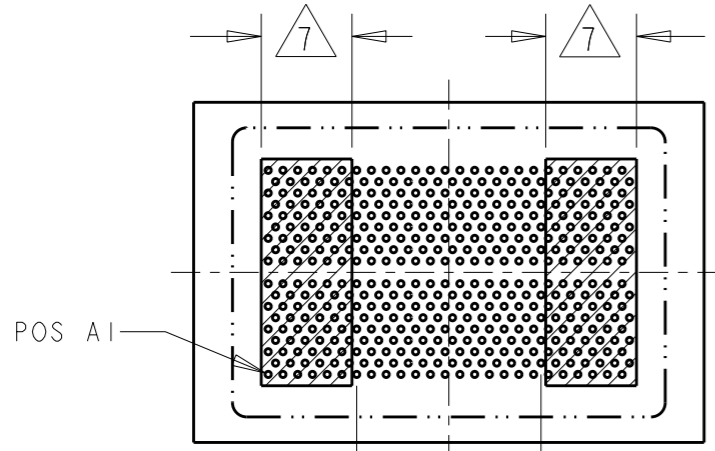
LOC	DIST	REVISIONS				
P	LTR	DESCRIPTION	DATE	DWN	APVD	
GP	00	-	SEE SHEET 1	-	-	



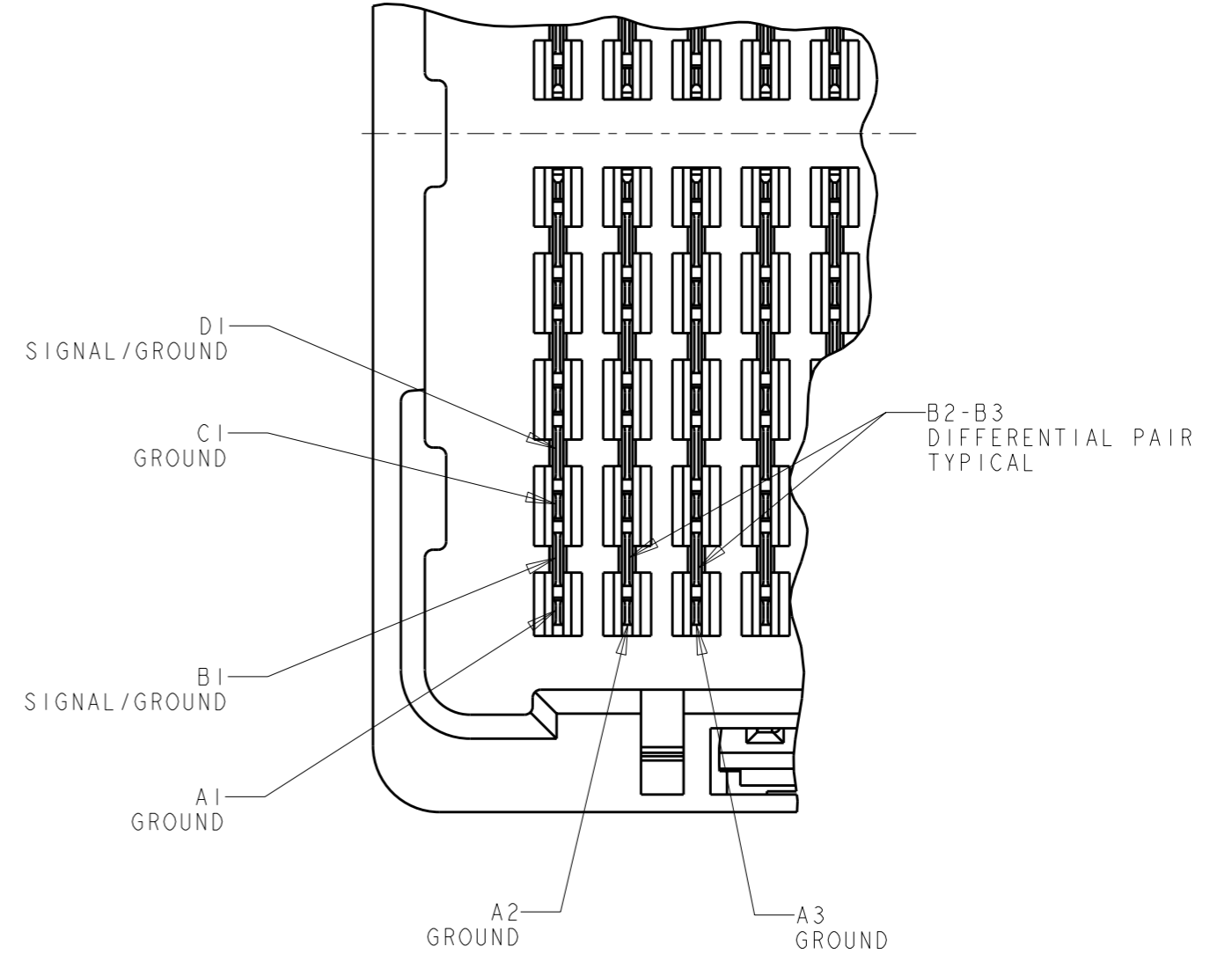
VIEW 31  
 SELECT LOAD 104 POSITION  
 SCALE 3:2



SECTION B-B



VIEW 31  
 SELECT LOAD 104 POSITION  
 BOARD PATTERN  
 SCALE 3:2



PLUG INTERFACE  
 SCALE 8:1

THIS DRAWING IS A CONTROLLED DOCUMENT.		DWN P BRANDBERG 17DEC04	<b>TE Connectivity</b>	
DIMENSIONS: mm		CHK D WERTZ 05JAN05		
TOLERANCES UNLESS OTHERWISE SPECIFIED:		APVD D WERTZ 05JAN05	NAME STEP-Z, PLUG ASSEMBLY, 200 SIGNAL POSITION	
0 PLC ±- 1 PLC ±0.3 2 PLC ±0.10 3 PLC ±0.050 4 PLC ±- ANGLES ±2°		PRODUCT SPEC 108-2143	SIZE A3	
MATERIAL -		APPLICATION SPEC 114-13101	CAGE CODE 00779	DRAWING NO C-1761614
FINISH -		WEIGHT -	RESTRICTED TO -	
CUSTOMER DRAWING			SCALE -	SHEET 4 OF 5 REV A6

THIS DRAWING IS UNPUBLISHED.

RELEASED FOR PUBLICATION

20

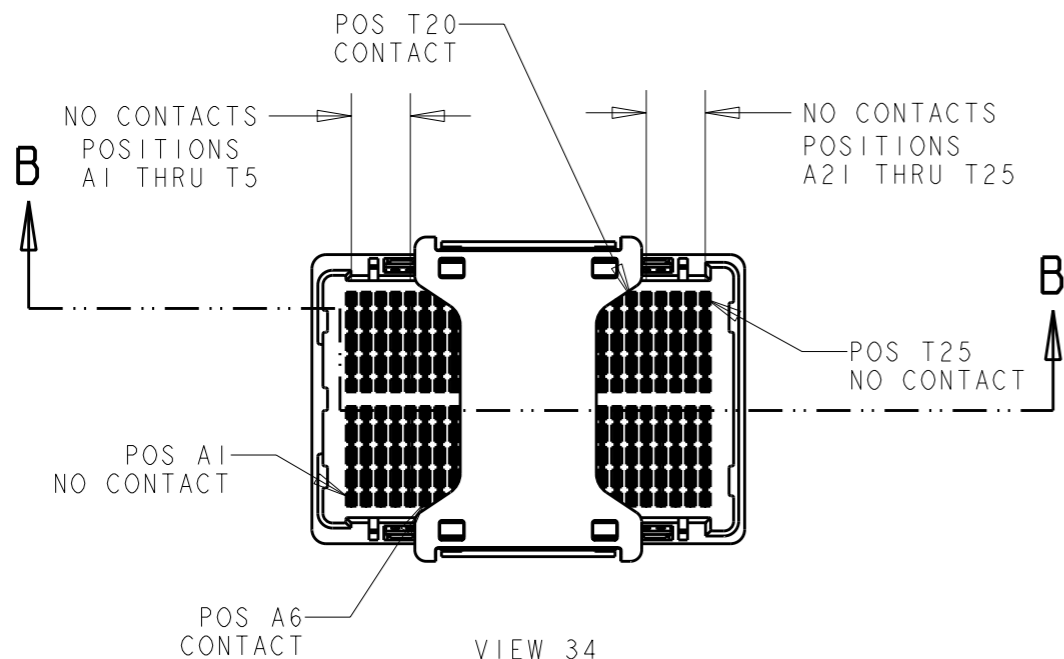
© COPYRIGHT 20

ALL RIGHTS RESERVED.

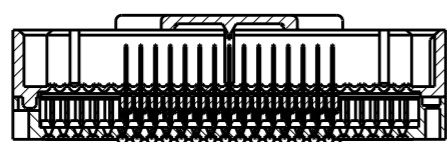
LOC GP DIST 00

REVISIONS

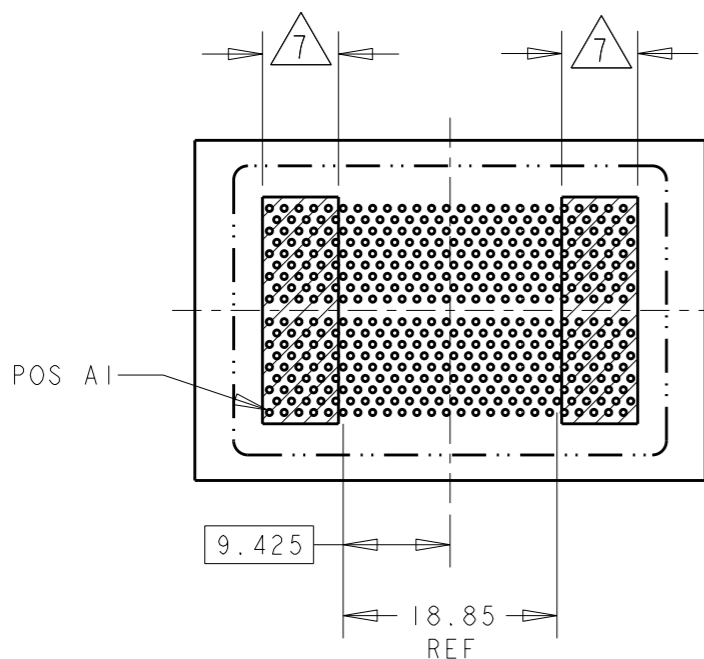
P	LTR	DESCRIPTION	DATE	DWN	APVD
-	-	SEE SHEET 1	-	-	-



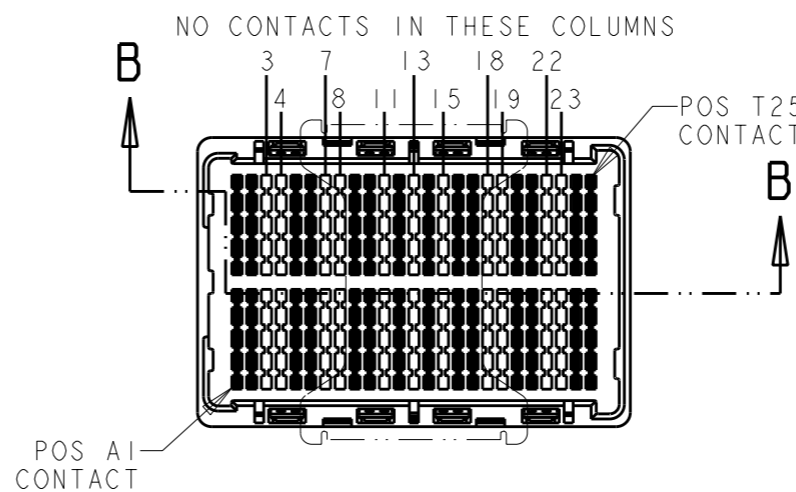
VIEW 34  
SELECT LOAD 120 POSITION  
SCALE 3:2



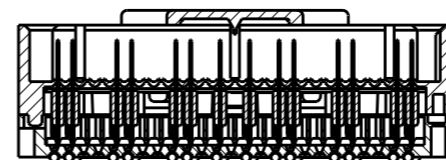
SECTION B-B



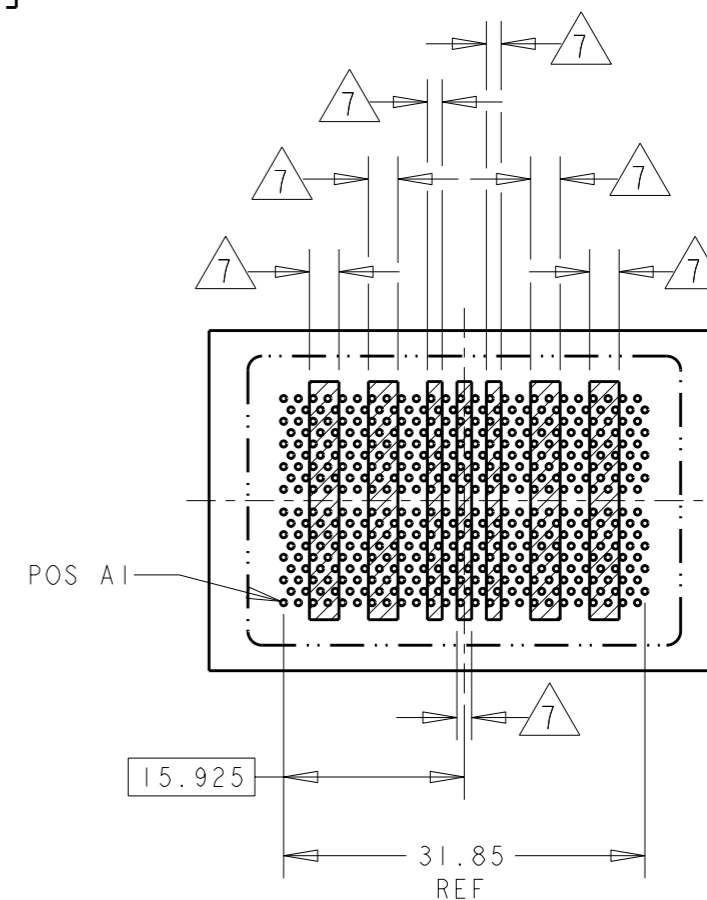
VIEW 34  
SELECT LOAD 120 POSITION  
BOARD PATTERN  
SCALE 3:2



VIEW 35  
SELECT LOAD 112 POSITION  
SCALE 3:2



SECTION B-B



VIEW 35  
SELECT LOAD 112 POSITION  
BOARD PATTERN  
SCALE 3:2

THIS DRAWING IS A CONTROLLED DOCUMENT.		DWN P BRANDBERG 17DEC04	<b>STE</b> TE Connectivity	
DIMENSIONS: mm		CHK D WERTZ 05JAN05		
TOLERANCES UNLESS OTHERWISE SPECIFIED:		APVD D WERTZ 05JAN05	NAME	
0 PLC ±-		PRODUCT SPEC 108-2143	STEP-Z, PLUG ASSEMBLY, 200 SIGNAL POSITION	
1 PLC ±0.3		APPLICATION SPEC 114-13101	SIZE	RESTRICTED TO
2 PLC ±0.10		WEIGHT -	A3	-
3 PLC ±0.050		CUSTOMER DRAWING	CAGE CODE	DRAWING NO
4 PLC ±-			000779	C-1761614
ANGLES ±2°			SCALE	SHEET 5 OF 5
MATERIAL -	FINISH -			REV A6

# Mouser Electronics

Authorized Distributor

Click to View Pricing, Inventory, Delivery & Lifecycle Information:

[TE Connectivity:](#)

[6-1761614-2](#)