

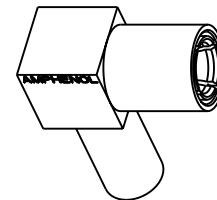
NOTE:

- MATERIALS OF CONSTRUCTION:
 CUBE BODY = ZINC DIE CAST, NICKEL PLATED
 BODY & CAP = BRASS, NICKEL PLATED
 FEMALE CONTACT = BeCu, GOLD PLATED
 SPRING RING = BeCu, NICKEL PLATED
 FERRULE = SEAMLESS COPPER TUBING, NICKEL PLATED
 INSULATOR = TFE FLUOROCARBON, ASTM D 1457
- FOR ASSEMBLY INSTRUCTIONS SEE AMPHENOL SPEC. 349-50521, SHEET 3.

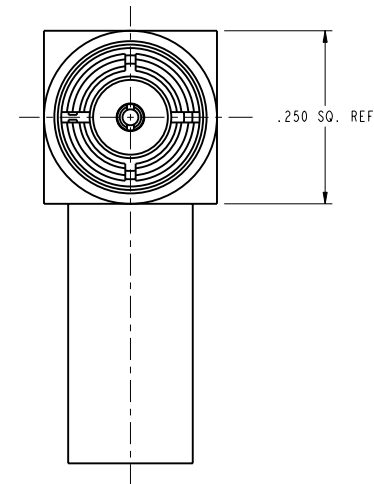
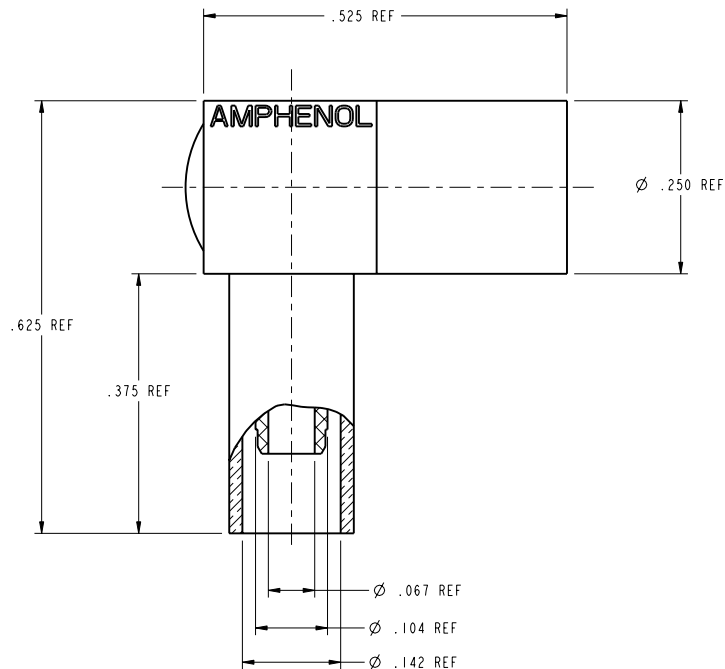
903-599P-71A

REVISIONS

DRAWING NO.	REV	DESCRIPTION	DATE	ECO	APPR
THIRD ANGLE PROJ.	A	RELEASE TO MFG.	3/1/01	43690	CPM



SCALE 3.000



CUSTOMER OUTLINE DRAWING
 ALL OTHER SHEETS ARE FOR INTERNAL USE ONLY

UNLESS OTHERWISE SPECIFIED, DIMENSIONS ARE IN INCHES AND TOLERANCES ARE:
 2 PLACE DECIMAL 3 PLACE DECIMAL ANGLES
 $\pm .015$ (0.381 mm) $\pm .005$ (0.127 mm) $\pm 1^\circ$

NOTICE - These drawings, specifications, or other data (1) are, and remain the property of Amphenol Corp., (2) must be returned upon request; and (3) are confidential and not to be disclosed to any person other than those to whom they are given by Amphenol Corp. The furnishing of these drawings, specifications, or other data by Amphenol Corp., or to any other person to anyone for any purpose is not to be regarded by implication or otherwise in any manner licensing, granting rights or permitting such holder or any other person to manufacture, use or sell any product, process or design, patented or otherwise, that may in any way be related to or disclosed by said drawings, specifications, or other data.

MATERIAL

REFERENCE
 EAR# 161
 GEN# ASSYM12_SMB

DRAWN
 C. McGRATH

ENGINEER
 O. BARTHELME

APPROVED
 O. BARTHELME

DATE
 13-Feb-01

DATE
 13-Feb-01

DATE
 2/14/01

TITLE
 MINI-75 OHM
 SMB R/A PLUG
 FOR RD-179 CABLE

Amphenol
 Amphenol Corporation
 Communication and Network
 Products Division
 Danbury, CT U.S.A. 06810

SCALE: 6.0:1 SHEET 2 OF 2

CAD FILE
 1:\SMB\903-599P-71A

CODE ID
 74868

DWG SIZE
 B

DRAWING NO.
 903-599P-71A

REV
 A

Mouser Electronics

Authorized Distributor

Click to View Pricing, Inventory, Delivery & Lifecycle Information:

[Amphenol:](#)

[903-599P-71A](#)