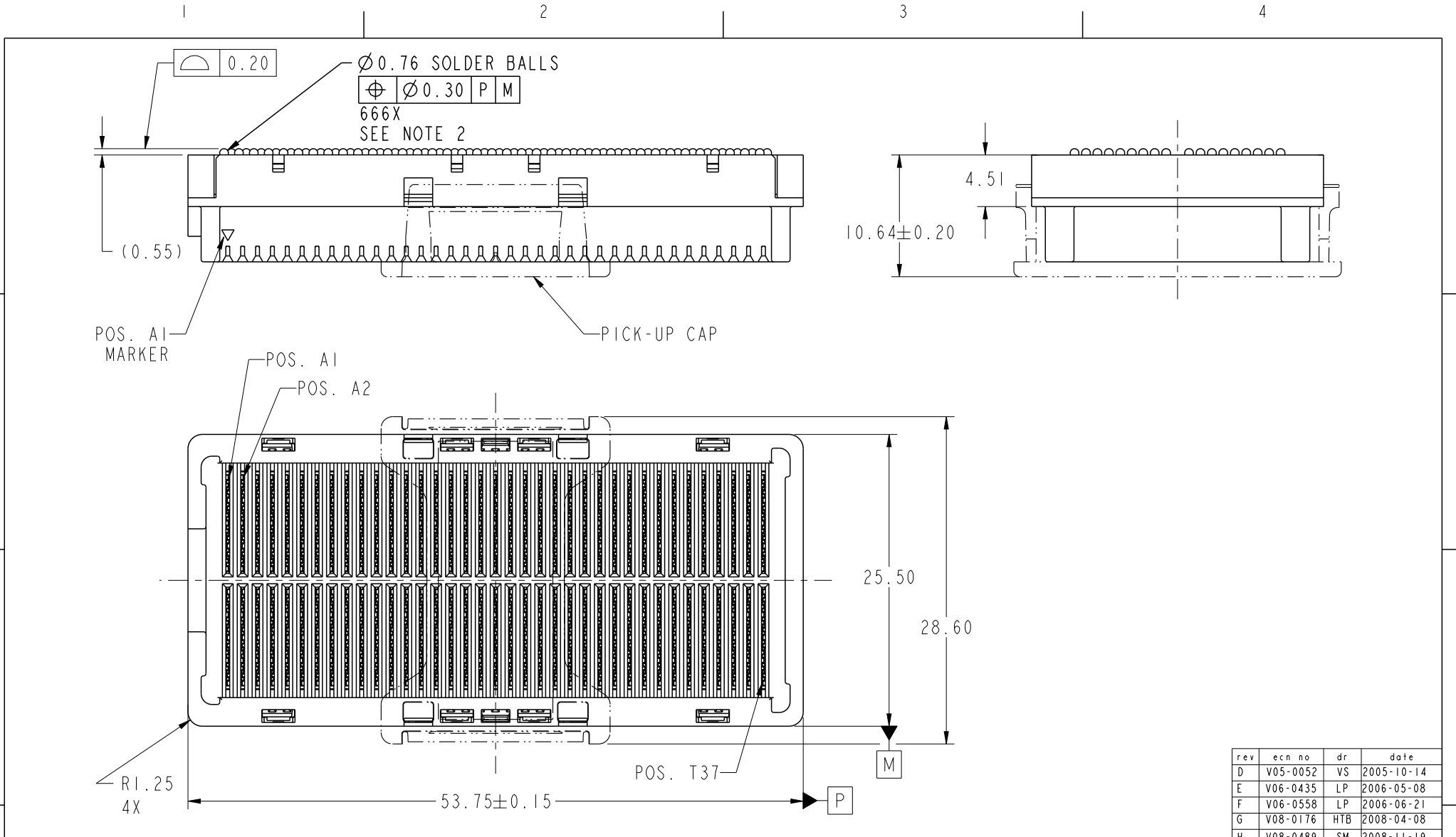




Copyright FCI.



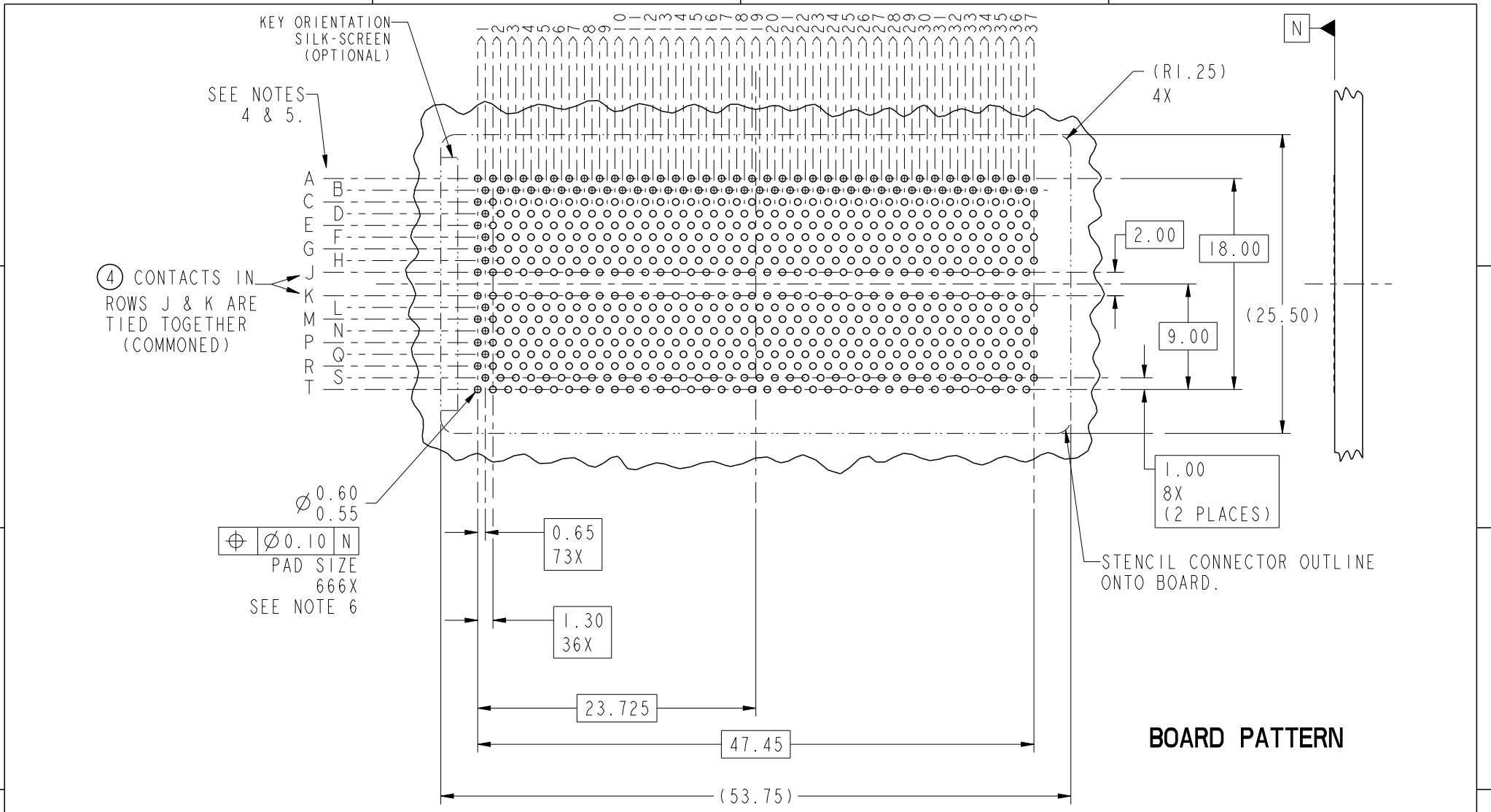
rev	ecn no	dr	date
D	V05-0052	VS	2005-10-14
E	V06-0435	LP	2006-05-08
F	V06-0558	LP	2006-06-21
G	V08-0176	HTB	2008-04-08
H	V08-0489	SM	2008-11-19

spec ref	*	dr	Bill Lin	2010/02/02	projection	mm	size	A4	scale	1:1		
tolerance std	ASME Y14.5	eng	Nickor Zuo	2011/06/08			ecn no	ELX-DG-003943-1				
		chr	Alex Cao	2011/06/24				product family	GIG-Array		rel level	Released
surface	✓	appr	Pei-Ming Zheng	2011/06/27			product family	GIG-Array		rel level	Released	
					title	GIG-Array		dwg no	55701		rev	J
					5mm RECP. ASSY. 296 SIG. POS.							
					www.fci.com	cat. no.	*	Product - Customer Drw		sheet 1 of 5		

ProjE File - REV C - 2009-06-09



Copyright FCI.



BOARD PATTERN

spec ref	*	dr	Bill Lin	2010/02/02	projection	mm	size	A4	scale	1:1
tolerance std	ASME Y14.5	eng	Nickor Zuo	2011/06/08			ecn no		ELX-DG-003943-1	
TOLERANCES UNLESS OTHERWISE SPECIFIED		chr	Alex Cao	2011/06/24			rel level		Released	
surface	✓	appr	Pei-Ming Zheng	2011/06/27	product family		GIG-Array		rev	
	linear			title GIG-Array 5mm RECP. ASSY. 296 SIG. POS.			dwg no 55701		J	
	angular	www.fci.com		cat. no.		Product - Customer Drw		sheet 2 of 5		

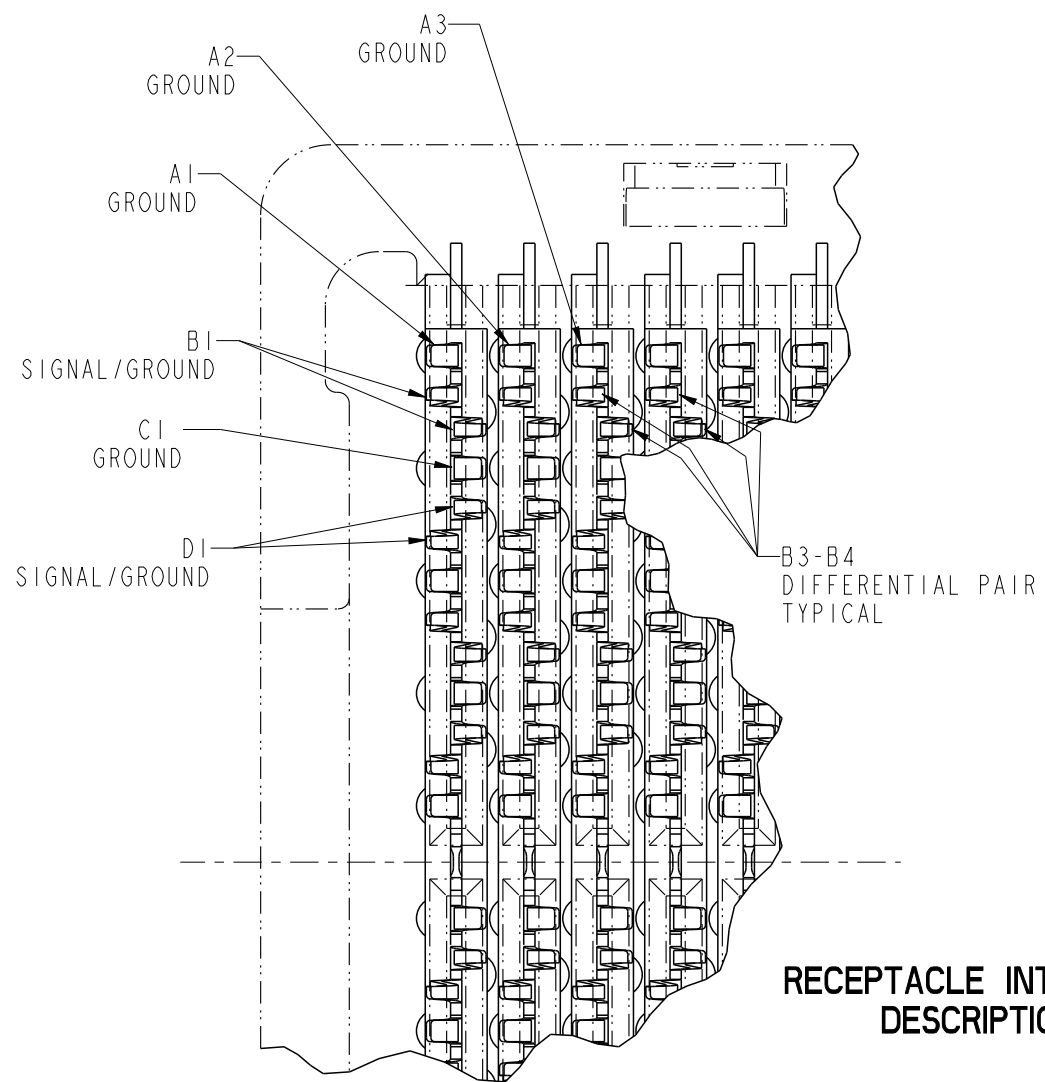
PrdE File - REV C - 2009-06-09

A

B

C

D



RECEPTACLE INTERFACE DESCRIPTION

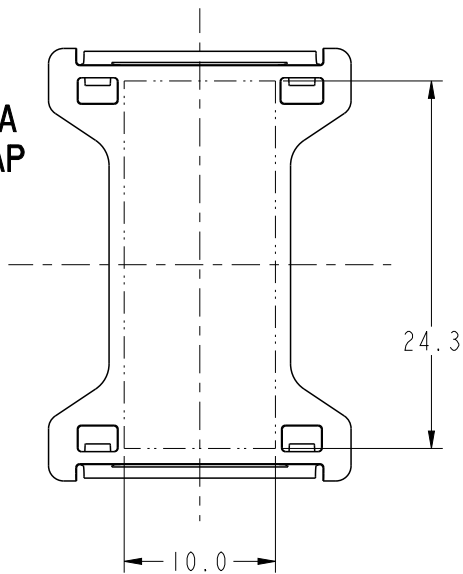


Copyright FCI.

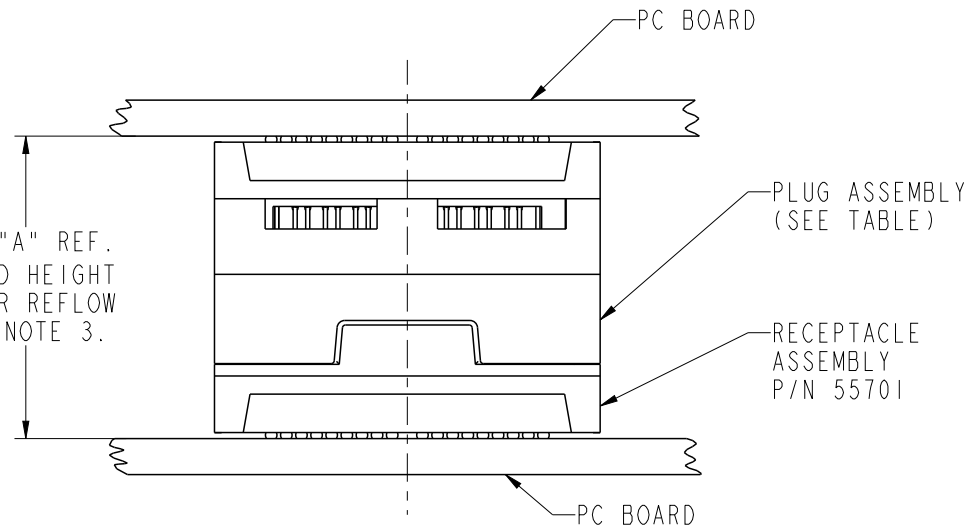
spec ref	*	dr	Bill Lin	2010/02/02	projection	mm ←→	size	A4	scale	1:1	
tolerance std	TOLERANCES UNLESS OTHERWISE SPECIFIED	eng	Nickor Zuo	2011/06/08			ecn no	ELX-DG-003943-1			
ASME Y14.5		chr	Alex Cao	2011/06/24				product family	GIG-Array		
-		appr	Pei-Ming Zheng	2011/06/27		rel level			Released		
surface	✓	linear	0.X	±0.30		title	GIG-Array	dwg no	55701	rev	J
-			0.XX	±0.10							
		angular	0°	±2°	www.fci.com	cat. no.	*	Product - Customer Drw		sheet 3 of 5	

PreE File - REV C - 2009-06-09

**FLAT AREA
PICK-UP CAP**
SCALE 2:1



DIM "A" REF.
MATED HEIGHT
AFTER REFLOW
SEE NOTE 3.



END VIEW OF MATED CONNECTORS
SCALE 2:1

DIM. "A"	PLUG ASSEMBLY P/N
15	55720
17	10026804
18	10008026
20	55700
25	55727
30	10054784



Copyright FCI.

spec ref	*	dr	Bill Lin	2010/02/02	projection	mm	size	A4	scale	1:1
tolerance std	TOLERANCES UNLESS OTHERWISE SPECIFIED	eng	Nickor Zuo	2011/06/08			ecn no	ELX-DG-003943-1	rel level	Released
ASME Y14.5		chr	Alex Cao	2011/06/24						
-		appr	Pei-Ming Zheng	2011/06/27						
surface		product family		GIG-Array						
linear	0.X	±0.30		title	GIG-Array	dwg no	55701	rev	J	
	0.XX	±0.10								
	0.XXX	±0.05								
angular	0°	±2°	www.fci.com	cat. no.	*	Product - Customer Drw	sheet 4 of 5			

PRODUCT NUMBER	SOLDER BALL COMPOSITION	CONTACT PLATING PERFORMANCE LEVEL
55701-001	STANDARD (EUTECTIC)	PERFORMANCE-BASED PLATING, QUALIFIED TO MEET THE REQUIREMENTS OF FCI PRODUCT SPECIFICATION GS-12-192, INCLUDING TELCORDIA CENTRAL OFFICE
55701-001LF	LEADFREE	
55701-201	STANDARD (EUTECTIC)	
55701-201LF	LEADFREE	

Au over Ni

NOTES:

- ① MATERIAL:
HOUSING: LCP
CONTACT: COPPER ALLOY
PLATING (CONTACT): SEE TABLE.
UL RATING: 94 V-0
SOLDER BALL: (SEE TABLE) EUTECTIC SnPb OR LEADFREE 95.5 Sn/4Ag/0.5Cu
- ② SOLDER BALLS WILL NOT BE PERFECT SPHERICAL SHAPE DUE TO REFLOW ATTACHMENT.
- ③ MATED HEIGHT EFFECTED BY CUSTOMERS' PCB PAD SIZE, PLATING, SOLDER REFLOW PROFILE & SOLDER PASTE.
- ④ CONTACTS IN ROWS A, C, E, G, J, K, M, P, R AND T ARE SINGLE BEAM CONTACTS, TYPICALLY USED AS GROUND PINS. (NOTE: CONTACTS IN ROWS J & K ARE TIED TOGETHER [COMMONED])
- ⑤ CONTACTS IN ROWS B, D, F, H, L, N, Q AND S ARE DUAL BEAM CONTACTS, TYPICALLY USED AS SIGNAL PINS.

NOTES CONTINUED

- ⑥ SPECIFIED POSITIONAL TOLERANCE DEFINES PAD TO PAD LOCATION WITHIN LAND PATTERN. POSITIONAL TOLERANCE OF LAND PATTERN TO FUDICIAL MARKS OR PCB DATUMS SHALL BE DEFINED BY CUSTOMER. FOR RECOMMENDED PRODUCT APPLICATION AND PCB DESIGN DETAILS, SEE DOC. NO. GS-20-016.
- ⑦ FOR PROPER APPLICATION FOLLOW FCI APPLICATION SPECIFICATION GS-20-033 LEADFREE SOLDER BALLS WILL NOT SOLDER PROPERLY IN A LEADED SOLDER PROCESS DUE TO A HIGHER REFLOW TEMPERATURE. LEADFREE PRODUCT IS THEREFORE NOT BACKWARDS COMPATIBLE WITH LEADED OR SOME SOLDERING APPLICATIONS. REFERENCE FCI APPLICATION SPECIFICATION.
- ⑧ THIS PRODUCT MEETS THE EUROPEAN UNION DIRECTIVES AND OTHER COUNTRY REGULATIONS AS DESCRIBED IN GS-22-008. PRODUCT MEETING WITH THIS DIRECTIVE IS IDENTIFIED IN THE LOT CODE NUMBER MARKED ON EACHPART BY HAVING AN "X" IN THE SEVENTH CHARACTER POSITION.

spec ref	*	dr	Bill Lin	2010/02/02	projection 	mm 	size	A4	scale	1:1			
tolerance std	TOLERANCES UNLESS OTHERWISE SPECIFIED	eng	Nickor Zuo	2011/06/08			ecn no	ELX-DG-003943-1					
ASME Y14.5		chr	Alex Cao	2011/06/24			rel level	Released					
-		appr	Pei-Ming Zheng	2011/06/27	product family	GIG-Array							
surface	✓	linear	0.X	±0.30		title	GIG-Array			dwg no	55701	rev	J
			0.XX	±0.10			5mm RECP. ASSY. 296 SIG. POS.						
			0.XXX	±0.05									
-	angular	0°	±2°		www.fci.com	cat. no.	*	Product - Customer Drw			sheet 5 of 5		

Mouser Electronics

Authorized Distributor

Click to View Pricing, Inventory, Delivery & Lifecycle Information:

[FCI / Amphenol:](#)

[55701-001](#) [55701-001LF](#) [55701-201LF](#)