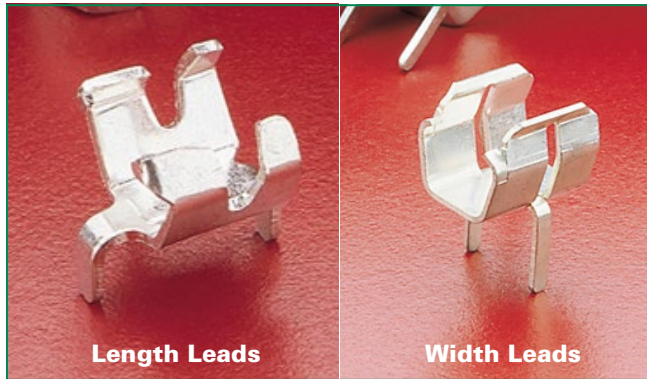



100/102/122 Series Low Profile Circuit Board Mount Fuse Clips for 1/4" Diameter Fuses RoHS



Product Characteristics

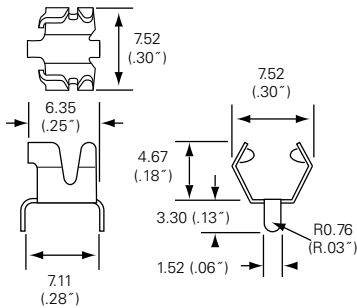
	102 080	122 090	100 058
Compatible Fuse Size	1/4" Diameter and 6.3mm Fuses		
Current Level	15 Amps max	30 Amps max	15 Amps max

Agency Approval

Agency	Agency File Number		
	102 080	122 090	100 058
	E14721		

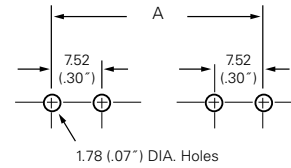
Product Dimensions

102/122 Series



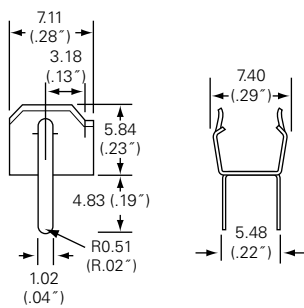
Mounting Dimensions for 102/122 Series

Nominal Fuse Length	"A" Length
5/8	.760
3/4	.880
7/8	1.005
1	1.130
1 1/16	1.195
1 1/4	1.380
1 7/16	1.570



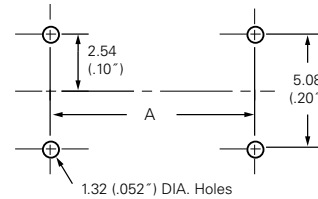
Recommended Mounting Dimensions

100 Series



Mounting Dimensions for 100 Series

Nominal Fuse Length	"A" Length
1	0.781
1 1/14	1.035
1 7/16	1.250



Recommended Mounting Dimensions

Ordering Information

Ordering PN*	Catalog No.	Clip Material	Plating	Style	Packaging Available
0102 0080	102 080	Spring Brass	Tin-plated	Ear	Z
0122 0090	122 090	Beryllium Copper	Silver-plated	Ear	Z
0100 0058	100 058	Spring Brass	Tin-plated	Ear	Z

Add Suffix to the Ordering PN for Packaging

"Z" = for bulk package

Additional Information



**Datasheet
100 Series**



**Resources
100 Series**



**Samples
100 Series**



**Datasheet
102 Series**



**Resources
102 Series**



**Samples
102 Series**



**Datasheet
122 Series**



**Resources
122 Series**



**Samples
122 Series**

Mouser Electronics

Authorized Distributor

Click to View Pricing, Inventory, Delivery & Lifecycle Information:

[Littelfuse:](#)

[122090](#) [01020080Z](#) [01000058M](#) [01220090Z](#) [01000058Z](#) [01220090H](#) [01220090N](#) [01000058N](#)