

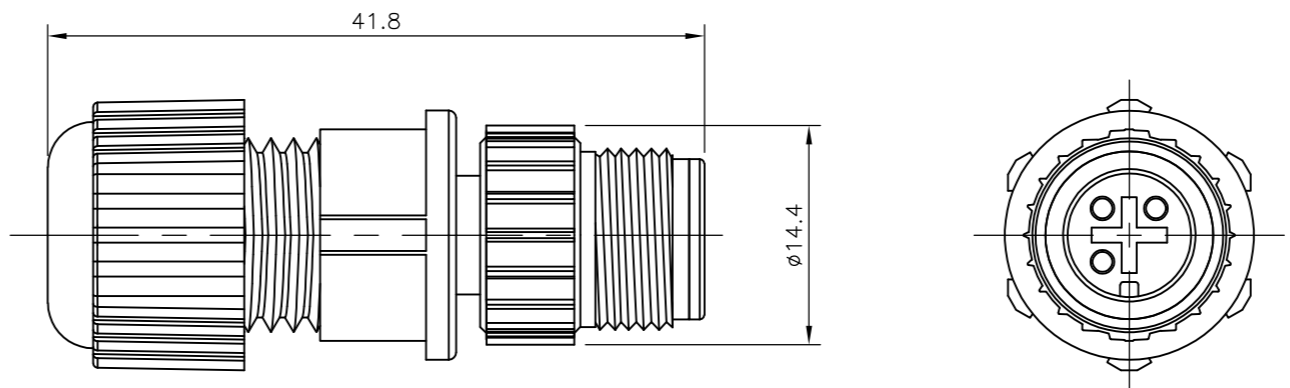
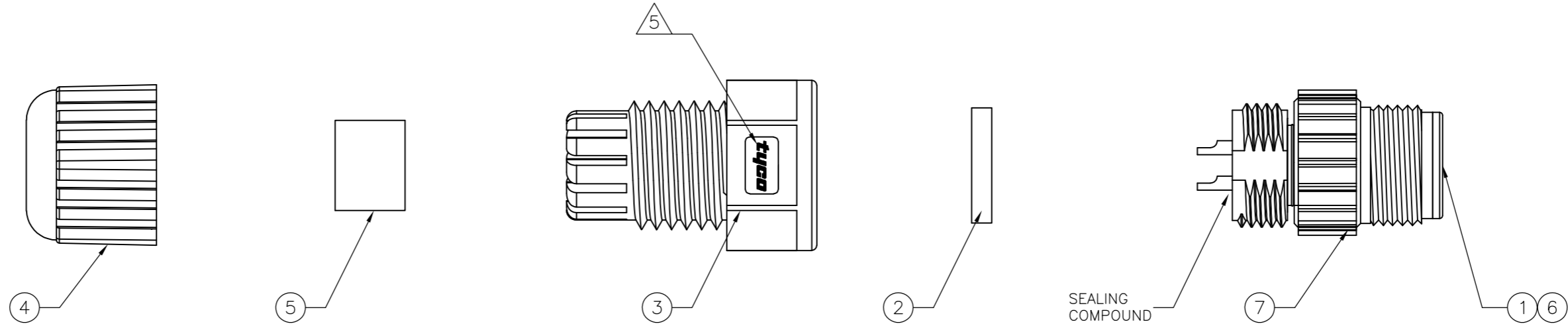
THIS DRAWING IS UNPUBLISHED. RELEASED FOR PUBLICATION
 © COPYRIGHT - By - ALL RIGHTS RESERVED.

LOC	DIST	REVISIONS					
E	B	P	LTR	DESCRIPTION	DATE	DWN	APVD
		B1		REVISED PER ECO-11-005150	21MAR11	RK	HMR

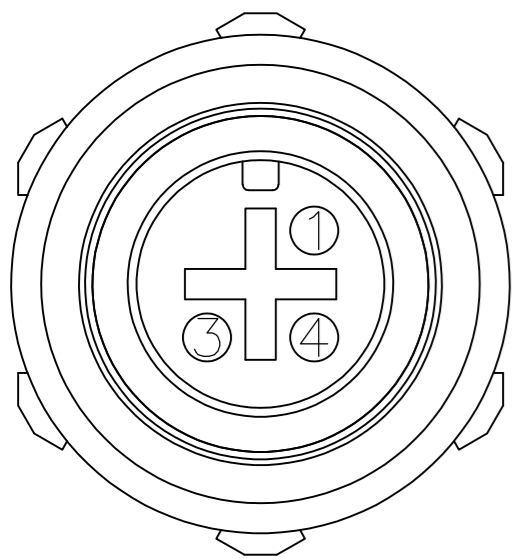
NOTES:

- ELECTRICAL DATA: CONTACT RESISTANCE: 10 mOhm MAX
 INSULATION RESISTANCE: 100 MOhm MIN at 500VDC
 CURRENT RATING: 5 AMPS (FOR 3, 4 AND 5 POSITIONS) AND 2 AMPS (FOR 8 POSITION ONLY)
 BREAKDOWN VOLTAGE: 500 VAC MIN PER MINUTE
- ENVIRONMENTAL: OPERATING TEMPERATURE: -25°C TO +90°C
 SEALING REQUIREMENTS: IP67
- PACKAGING: 107-3334
- SEAL FOR CABLE OD: ϕ 4.5mm - ϕ 6.5mm
- FOR TECHNICAL DATA REFER TO YOUR LOCAL TE CONNECTIVITY SALES OFFICE.
- ALL DIMENSIONS ARE FOR NOMINAL REFERENCE ONLY UNLESS OTHERWISE STATED.

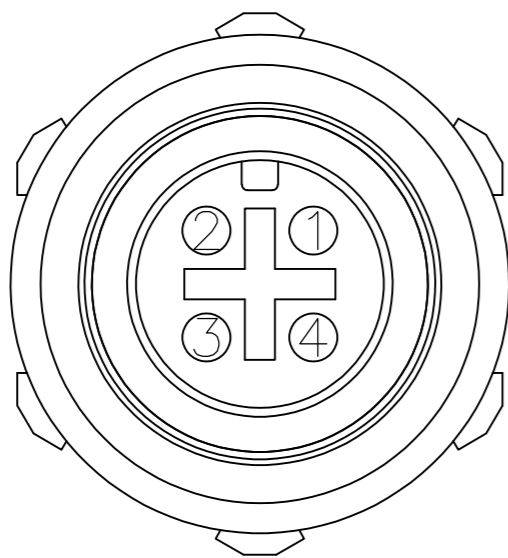
ITEM	DESCRIPTION	MATERIAL	FINISH/COLOUR	QUANTITY / ITEM		
				-1	-2	-3
1	CONNECTOR HOUSING	GF NYLON	BLACK	1	1	1
2	GASKET	SILICONE	BLACK	1	1	1
3	CONNECTOR BODY	GF NYLON	BLACK	1	1	1
4	SEALING NUT	GF NYLON	BLACK	1	1	1
5	SEAL	EPDM	BLACK	1	1	1
6	PIN CONTACT	BRASS	0.15 μ m GOLD OVER NICKEL	3	4	5
7	SCREW NUT	ZINC DIE CAST	2.5 μ m NICKEL PLATED	1	1	1



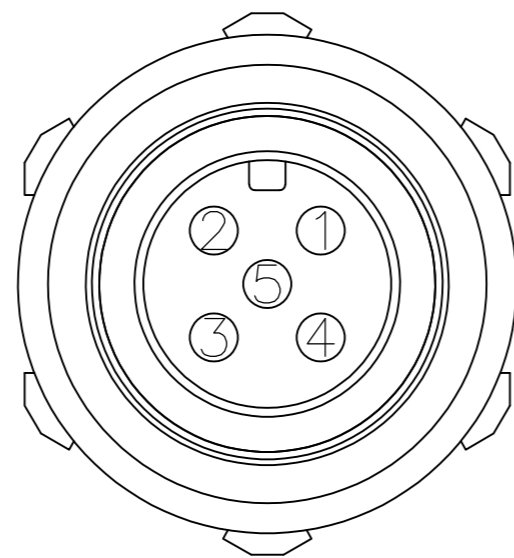
1838275-1
PIN ASSIGNMENTS
FRONT VIEW



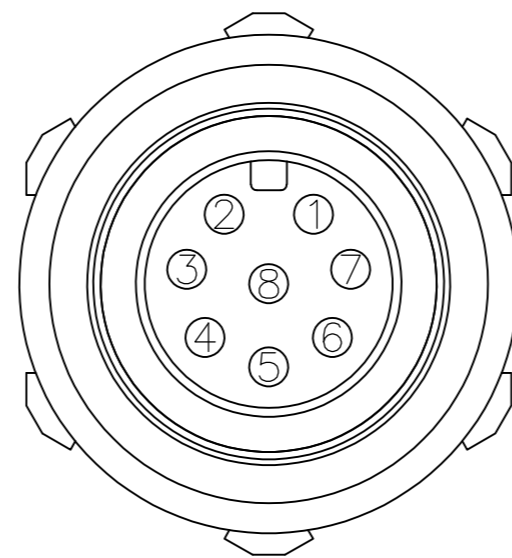
1838275-2
PIN ASSIGNMENTS
FRONT VIEW



1838275-3
PIN ASSIGNMENTS
FRONT VIEW



1838275-4
PIN ASSIGNMENTS
FRONT VIEW



DESCRIPTION	NO. OF POS	PART NUMBER
M12 FIELD SERVICEABLE CONNECTOR, MALE PIN, SOLDER TYPE	8	1838275-3
M12 FIELD SERVICEABLE CONNECTOR, MALE PIN, SOLDER TYPE	5	1838275-3
M12 FIELD SERVICEABLE CONNECTOR, MALE PIN, SOLDER TYPE	4	1838275-2
M12 FIELD SERVICEABLE CONNECTOR, MALE PIN, SOLDER TYPE	3	1838275-1

THIS DRAWING IS A CONTROLLED DOCUMENT.

DWN	A. Morey	14MAR06
CHK	F. Wheeler-King	12APR06
APVD	F. Wheeler-King	12APR06
PRODUCT SPEC		
APPLICATION SPEC		
WEIGHT	-	
CUSTOMER DRAWING		

TE Connectivity

M12 FIELD SERVICEABLE CONNECTOR, MALE PIN, SOLDER TYPE

SIZE: A2 CAGE CODE: 00779 DRAWING NO: C=1838275 RESTRICTED TO: -

SCALE: NTS SHEET: 1 of 1 REV: B1

Mouser Electronics

Authorized Distributor

Click to View Pricing, Inventory, Delivery & Lifecycle Information:

[TE Connectivity:](#)

[1838275-4](#)