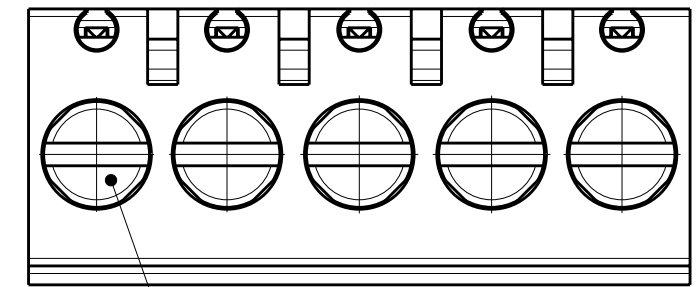


THIS DRAWING IS UNPUBLISHED. RELEASED FOR PUBLICATION 20
 © COPYRIGHT 20 BY - ALL RIGHTS RESERVED.

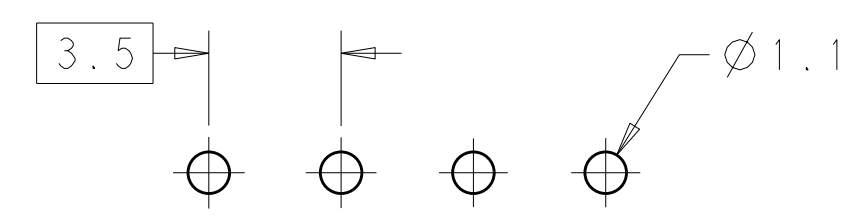
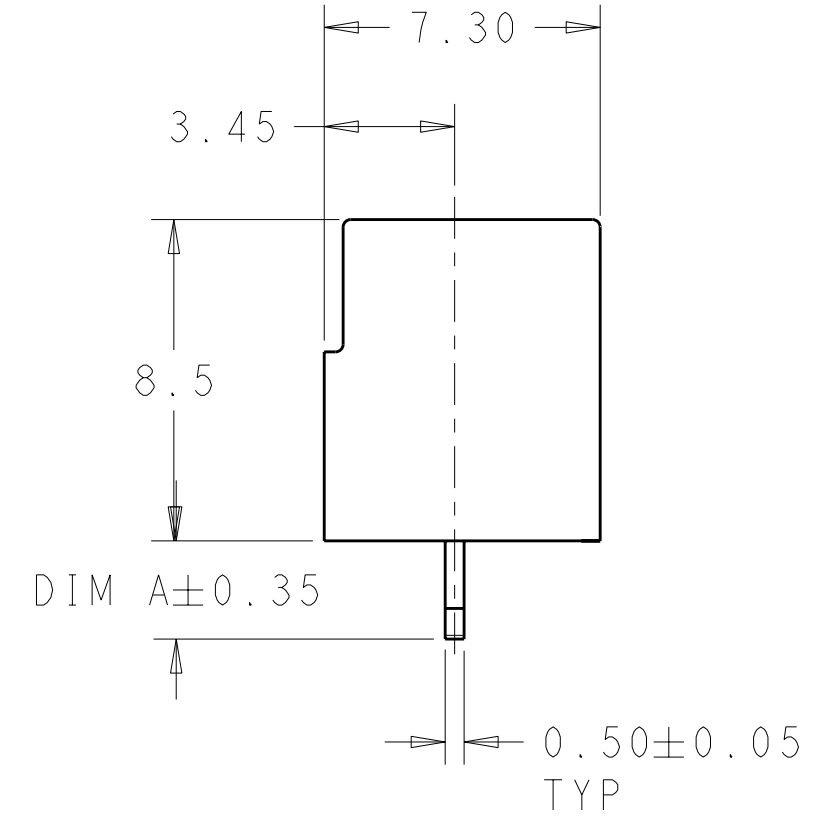
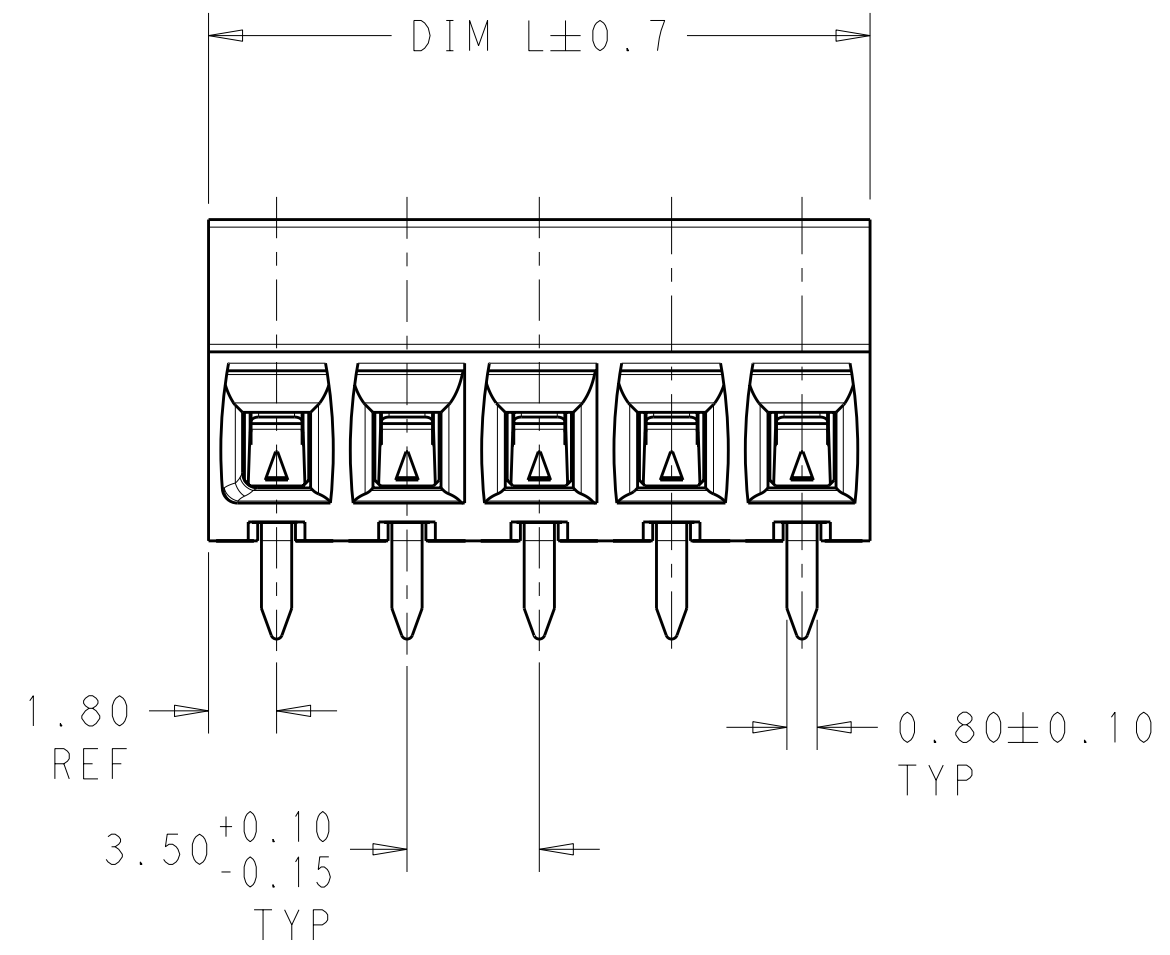
LOC		DIST		REVISIONS			
P	LTR	DESCRIPTION	DATE	DWN	APVD		
P		REVISED PER ECO-11-004917	12MAR2011	RK	HMR		

1. MATERIALS AND FINISH:
 HOUSING: HIGH TEMPERATURE POLYAMIDE, UL 94V-0,
 COLOR: BLACK.
 TERMINAL: COPPER ALLOY, TIN PLATED.
 CLAMP: COPPER ALLOY, NICKEL PLATED.
 CLAMPING SCREW: COPPER ALLOY, NICKEL PLATED.

- 2. WIRE SIZE RANGE: 16-28 AWG.
- 3. CURRENT RATING: 12A, 150V
 OPERATING TEMPERATURE: -40° TO +110°C
- 4. SUITABLE FOR 2.4mm MAX PC BOARD THICKNESS.



CLAMPING SCREW



RECOMMENDED PC BOARD LAYOUT

3.50	14.00	4	2-1776112-4
3.50	10.50	3	2-1776112-3
3.50	7.00	2	2-1776112-2
2.60	14.00	4	1776112-4
2.60	10.50	3	1776112-3
2.60	7.00	2	1776112-2
DIM A	DIM L	NO OF POS	PART NUMBER

THIS DRAWING IS A CONTROLLED DOCUMENT.		DWN S. SCHLEGEL 19 JAN 2010	TE Connectivity	
		CHK C. RICHARD 19 JAN 2010		
		APVD C. RICHARD 19 JAN 2010	NAME TERMINAL BLOCK, PCB MOUNT, STRAIGHT, 8.5mm PROFILE, SIDE WIRE ENTRY, 3.5mm PITCH	
DIMENSIONS: mm		TOLERANCES UNLESS OTHERWISE SPECIFIED:	SIZE CAGE CODE DRAWING NO RESTRICTED TO	
0 PLC ± 1 PLC ±0.3 2 PLC ±0.25 3 PLC ± 4 PLC ±		ANGLES ± FINISH ±	A200779C-1776112	
MATERIAL		WEIGHT	SCALE 5:1 SHEET 1 OF 1 REV P	
1		1	CUSTOMER DRAWING	

Mouser Electronics

Authorized Distributor

Click to View Pricing, Inventory, Delivery & Lifecycle Information:

[TE Connectivity:](#)

[1776112-3](#)