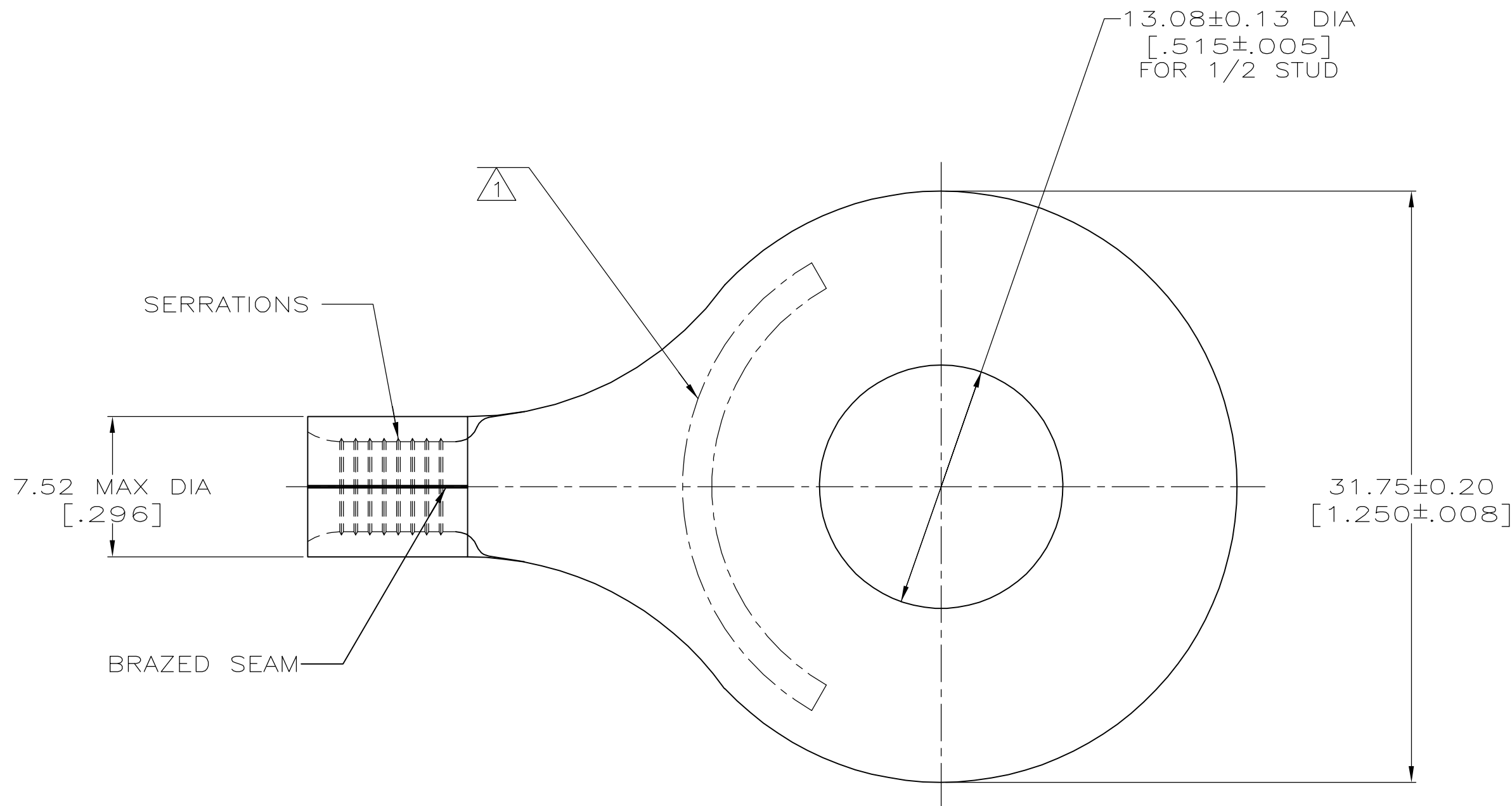


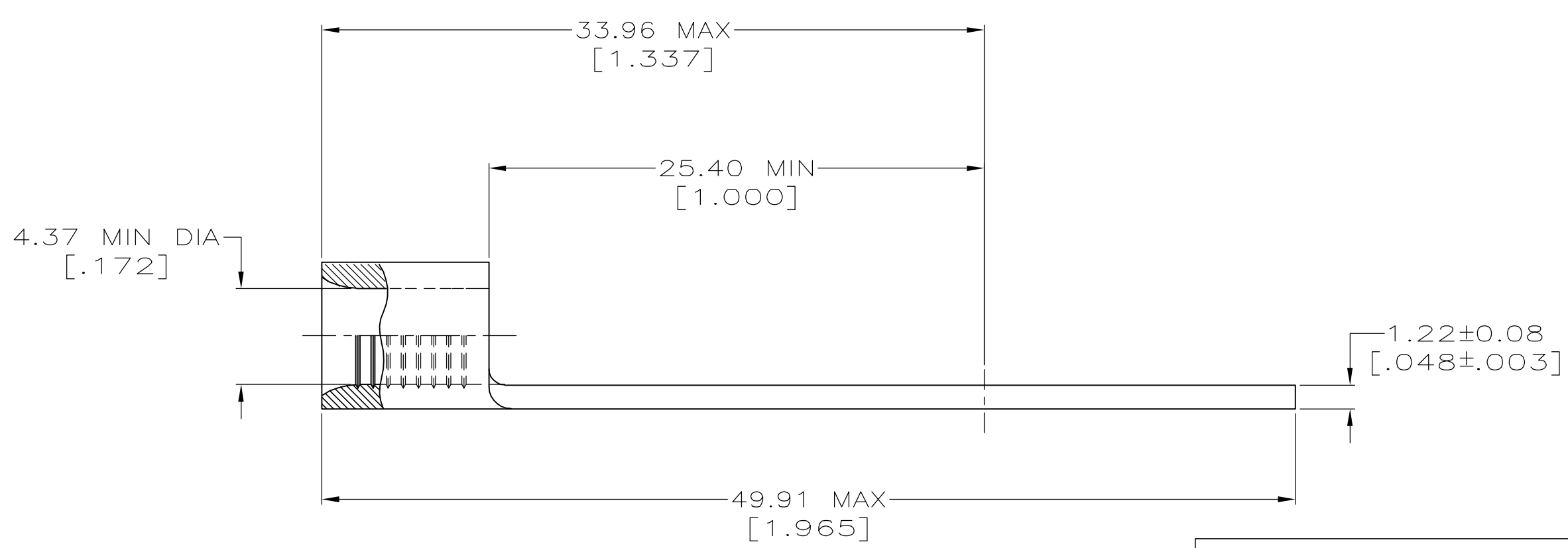
LOC	DIST	P	F	ZONE	LTR	DESCRIPTION	DATE	APPD
G	14					G1 REV PER ECR-06-014478	14JUN06	JR TM

METRIC
 DIMENSIONS LISTED IN mm [INCHES]



AMP WIRE RANGE	Listed
8 AWG SOLID OR STRANDED	8 AWG STRANDED
LR7189 Certified	MILITARY P/N AND CLASS
8 AWG SOLID OR STRANDED	NOT APPLICABLE

STAMP AMP 8* APPROX AS SHOWN



25	LOOSE PIECE, BOX	8-35664-3
----	LOOSE PIECE	35664
QUANTITY	PACKAGE TYPE	PART NO

**AMP INCORPORATED
 CUSTOMER SERVICE SYSTEMS**

MAX RECOMMENDED OPERATING TEMPERATURE:
 170° C MAX

DO NOT SCALE PRINT. UNLESS SPECIFIED
 DIMENSIONS IN mm [INCHES]—
 TOLERANCES ON :
 2 PLC DEC ± -
 3 PLC DEC ± -
 ANGLES ± -

DR 3-24-93
 TA BRINKMAN
 CHK 3-24-93
 DA PATTERSON
 APPD 3-24-93
 DE MILLER
 APPD 3-24-93
 JL MECKLEY

AMP AMP Incorporated
 Harrisburg, PA 17105-3608

FOR ADDITIONAL PRODUCT INFORMATION OR COPIES OF DRAWINGS AND TECHNICAL DOCUMENTS

PRODUCT INFORMATION CENTER
 1-800-522-6752

VOLTAGE RATING:
 NOT APPLICABLE

MATERIAL
 COPPER PER ASTM B-152 ANNEALED

PRODUCT SPEC
 -

NAME
**TERMINAL, RING TONGUE,
 SOLISTRAND™**

FOR APPLICATION TOOLING INFORMATION

TOOLING ASSISTANCE CENTER
 1-800-722-1111

WIRE CROSS SECTIONAL AREA RANGE:
 6.64-10.5MM² [13,100-20,800] CIR MILS
 SOLID OR STRANDED

FINISH
 TIN PLATE 0.00254 [.000100] MIN THK PER MIL-T-10727

APPLICATION SPEC
 -

SIZE 00779 DRAWING NO 35664

FOR ORDER ENTRY

1-800-526-5142

THIS DRAWING IS A CONTROLLED DOCUMENT FOR AMP INCORPORATED. IT IS SUBJECT TO CHANGE AND THE CONTROLLING ENGINEERING ORGANIZATION SHOULD BE CONTACTED FOR THE LATEST REVISION.

WEIGHT -

SCALE 4:1

SHEET 10F 1

Mouser Electronics

Authorized Distributor

Click to View Pricing, Inventory, Delivery & Lifecycle Information:

[TE Connectivity:](#)

[35664](#)