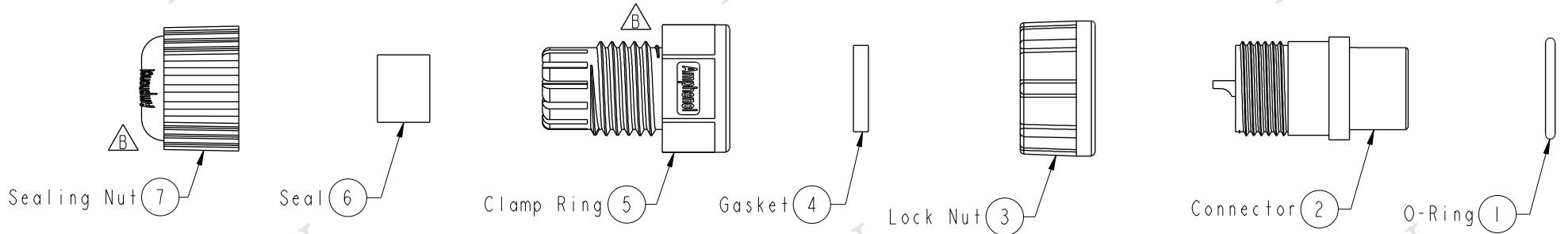


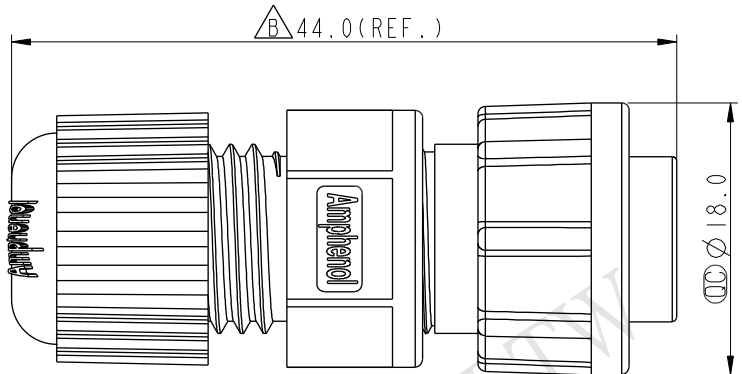
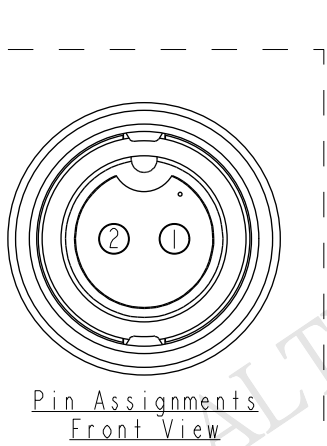
REV.	ECN NO.	DATE	SIGN	DESCRIPTION
B	LEN14C0023	2014/11/19	Vicky	Update Logo & Dimension

ALTW
CONFIDENTIAL
2014-11-19
R&D DEPT.

ALTW
DCC. DEPT.
CONFIDENTIAL
2014.12.03
ISSUED



- Note:
- * ⌀ Important Dimension To Check.
 - * Waterproof Rate: IP67
 - * Housing: Nylon+GF, Black
 - * Male Pin: Copper Alloy, Gold Plated
 - * O-Ring: EPDM, Black
 - * Lock Nut: Nylon+GF, Black
 - * Gasket: EPDM, Black
 - * Clamp Ring: Nylon, Black
 - * Seal: EPDM, Black
 - * Sealing Nut: Nylon, Black
 - * Seal For Cable OD: $\text{⌀}4.5\text{mm} \sim \text{⌀}6.5\text{mm}$
(防水墊圈線徑: $\text{⌀}4.5\text{mm} \sim \text{⌀}6.5\text{mm}$)
 - * One Set Unassembled In One PE Bag
(每一組未組裝, 放置於一個PE袋, 並封口)



UNIT:mm	⌀	⌀
TOLERANCE		
.X	± 0.25	
.XX	± 0.1	
.XXX	± 0.05	
ANGLES	$\pm 1^\circ$	

TITLE Standard Assy Lock 2P F Conn M Pin			
SCALE 5:4	SIZE A4	SHEET 1 OF 1	
REV. B	WC-REV. A.2	⌀ : Inspection item	

Amphenol LTW
安費諾亮泰企業股份有限公司

ITEM NO. BD-02BFMA-LL7001	DRAWN BY Vicky	DATE 2014-11-19
DWG NO. BD-02BFMA-LL7001	CHECKED BY Sam	DATE 2014-11-19
CUSTOMER ALTW	APPROVED BY Rita	DATE 2014-11-19

THIS DOCUMENT IS SUBJECT TO CHANGE WITHOUT NOTICE. IT IS CONFIDENTIAL AND A PROPERTY OF Amphenol LTW. DISCLOSURE TO THIRD PARTY HAS TO BE AUTHORIZED BY Amphenol LTW.

Mouser Electronics

Authorized Distributor

Click to View Pricing, Inventory, Delivery & Lifecycle Information:

[Amphenol:](#)

[BD-02BFMA-LL7001](#)