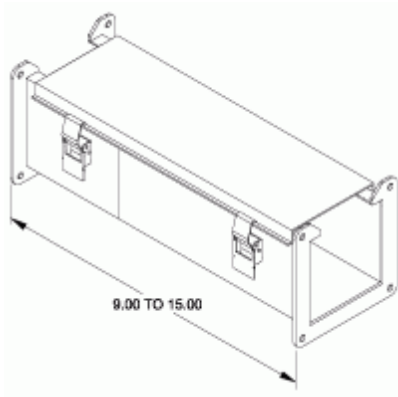




*Quality Products. Service Excellence.*

## Cut-Off Fitting (Lay-In) 1485 W1 Series



- Body comes in two pieces. Cut-off one piece, shorten cover, and weld together.
- Includes angle sealing plate.

Part No.	Size
1485BW1	2.5 x 2.5
1485CW1	4 x 4
1485DW1	6 x 6
1485EW1	8 x 8
1485FW1	12 x 6

One angle sealing plate included  
Does not meet CSA or UL requirements



*Data subject to change without notice*

© 2020. Hammond Manufacturing Ltd. All rights reserved.

# Mouser Electronics

Authorized Distributor

Click to View Pricing, Inventory, Delivery & Lifecycle Information:

[Hammond:](#)

[1485FW1](#) [1485BW1](#) [1485CW1](#) [1485EW1](#) [1485DW1](#)