

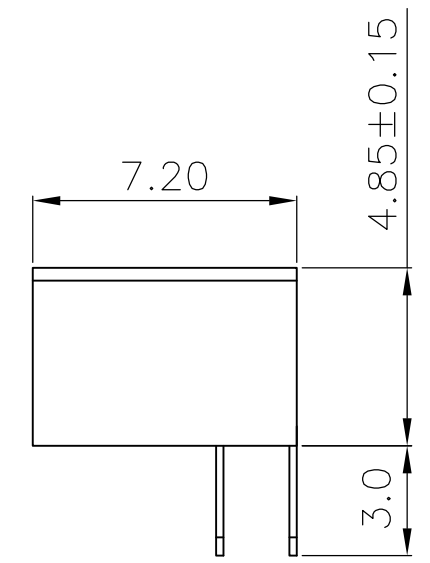


THIS DRAWING IS UNPUBLISHED  
 RELEASED FOR PUBLICATION  
 © COPYRIGHT - By - ALL RIGHTS RESERVED.

LOC	DIST	REVISIONS					
		P	LTR	DESCRIPTION	DATE	DWN	APVD
IR	-	-	-	SEE SHEET 1	-	-	-



△ 5 RECOMMENDED PCB LAYOUT  
 TOLERANCE ± 0.05 (TOP VIEW)



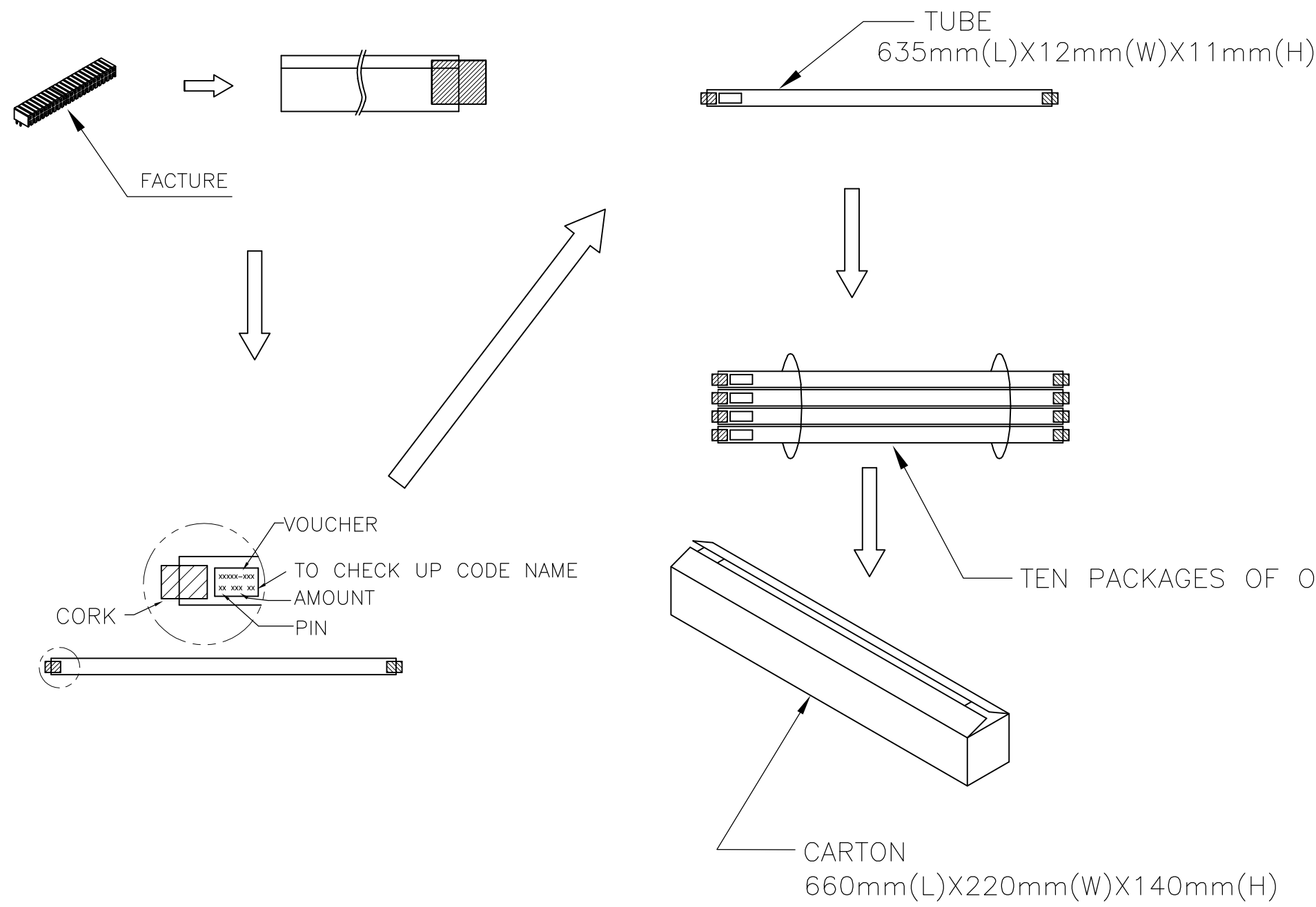
SECTION A-A

9	1734531-9
POSITION NUMBER	PART NUMBER

THIS DRAWING IS A CONTROLLED DOCUMENT.		DWN	O.HU	05JUL2005	<b>TE Connectivity</b>						
DIMENSIONS: mm		CHK	S.HOU	05JUL2005				NAME AMPMODU 2.0mm PITCH, RCPT CONN., RIGHT-ANGLE, MOUNT TYPE			
TOLERANCES UNLESS OTHERWISE SPECIFIED:		APVD	W.J.KE	05JUL2005							PRODUCT SPEC 108-57197 APPLICATION SPEC
0 PLC ± 0.5 1 PLC ± 0.2 2 PLC ± 0.1 3 PLC ± 0.05 4 PLC ± - ANGLES ± 3°		MATERIAL						SIZE	CAGE CODE	DRAWING NO	
SEE SHEET 1		FINISH			SEE SHEET 1	WEIGHT	-	A3	00779	C=1734531	-
CUSTOMER DRAWING					SCALE	1:1	SHEET	2 OF 3	REV	D4	

THIS DRAWING IS UNPUBLISHED  
 © COPYRIGHT - By - ALL RIGHTS RESERVED.

LOC	DIST	REVISIONS			
P	LTR	DESCRIPTION	DATE	DWN	APVD
	-	SEE SHEET 1	-	-	-



OBSOLETE	1050	150	7	80	8	-0
	1050	150	7	78	7	-8
	1050	150	7	76	7	-6
	1200	150	8	74	7	-4
	1200	150	8	72	7	-2
	1200	150	8	70	7	-0
	1200	150	8	68	6	-8
	1350	150	9	66	6	-6
	1350	150	9	64	6	-4
	1350	150	9	62	6	-2
	1500	150	10	60	6	-0
	1500	150	10	58	5	-8
	1500	150	10	56	5	-6
	1650	150	11	54	5	-4
OBSOLETE	1650	150	11	52	5	-2
	1800	150	12	50	5	-0
	1800	150	12	48	4	-8
	1950	150	13	46	4	-6
	1950	150	13	44	4	-4
	2100	150	14	42	4	-2
	2100	150	14	40	4	-0
	2250	150	15	38	3	-8
OBSOLETE	2400	150	16	36	3	-6
	2550	150	17	34	3	-4
	2700	150	18	32	3	-2
	2850	150	19	30	3	-0
	3150	150	21	28	2	-8
OBSOLETE	3300	150	22	26	2	-6
	3600	150	24	24	2	-4
	3900	150	26	22	2	-2
	4350	150	29	20	2	-0
	4800	150	32	18	1	-8
	5400	150	36	16	1	-6
	6150	150	41	14	1	-4
	7200	150	48	12	1	-2
	8550	150	57	10	1	-0
	8550	150	57	9		1734531-9
OBSOLETE	10650	150	72	8		1734531-8
	14400	150	96	6		1734531-6
	21600	150	144	4		1734531-4
QTY	TUBE/ CARTON	PCS/ TUBE	POSITION NUMBER	PART NUMBER		

THIS DRAWING IS A CONTROLLED DOCUMENT.		DWN O.HU	05JUL2005	TE Connectivity AMPMODU 2.0mm PITCH, RCPT CONN., RIGHT-ANGLE, MOUNT TYPE											
DIMENSIONS: mm		CHK S.HOU	05JUL2005												
TOLERANCES UNLESS OTHERWISE SPECIFIED:		APVD W.J.KE	05JUL2005												
<table border="0"> <tr><td>0 PLC</td><td>± 0.5</td></tr> <tr><td>1 PLC</td><td>± 0.2</td></tr> <tr><td>2 PLC</td><td>± 0.1</td></tr> <tr><td>3 PLC</td><td>± 0.05</td></tr> <tr><td>4 PLC</td><td>± -</td></tr> <tr><td>ANGLES</td><td>± 3'</td></tr> </table>		0 PLC	± 0.5			1 PLC	± 0.2	2 PLC	± 0.1	3 PLC	± 0.05	4 PLC	± -	ANGLES	± 3'
0 PLC	± 0.5														
1 PLC	± 0.2														
2 PLC	± 0.1														
3 PLC	± 0.05														
4 PLC	± -														
ANGLES	± 3'														
MATERIAL SEE SHEET 1	FINISH SEE SHEET 1	APPLICATION SPEC -	WEIGHT -	SIZE A3	CAGE CODE 00779	DRAWING NO C-1734531	RESTRICTED TO -								
CUSTOMER DRAWING				SCALE 1:1	SHEET 3 OF 3	REV D4									

# Mouser Electronics

Authorized Distributor

Click to View Pricing, Inventory, Delivery & Lifecycle Information:

[TE Connectivity:](#)

[2-1734531-2](#)