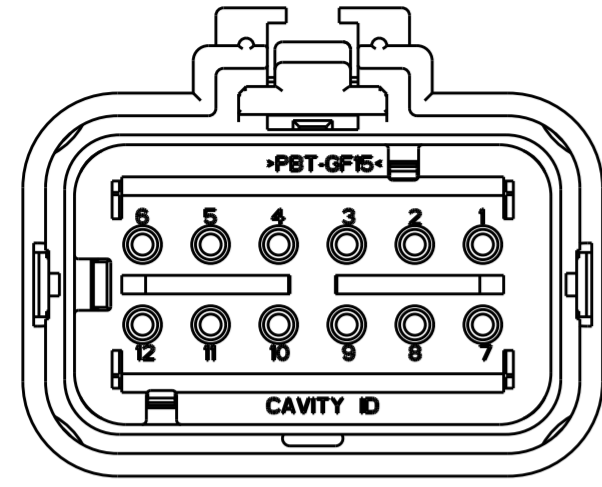
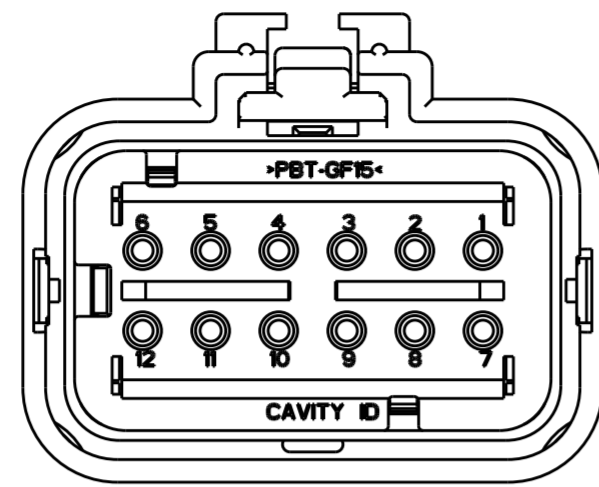


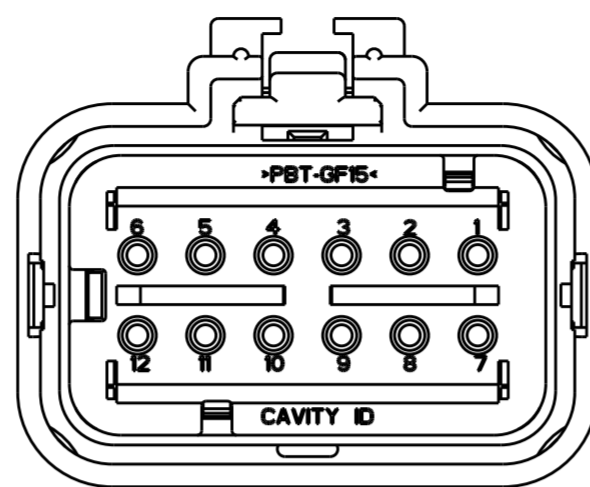
REVISIONS				
P	LTR	DESCRIPTION	DATE	APVD
	F	REVISED PER ECO-13-019231	09DEC2013	DR RB



776437-2
SCALE 2:1

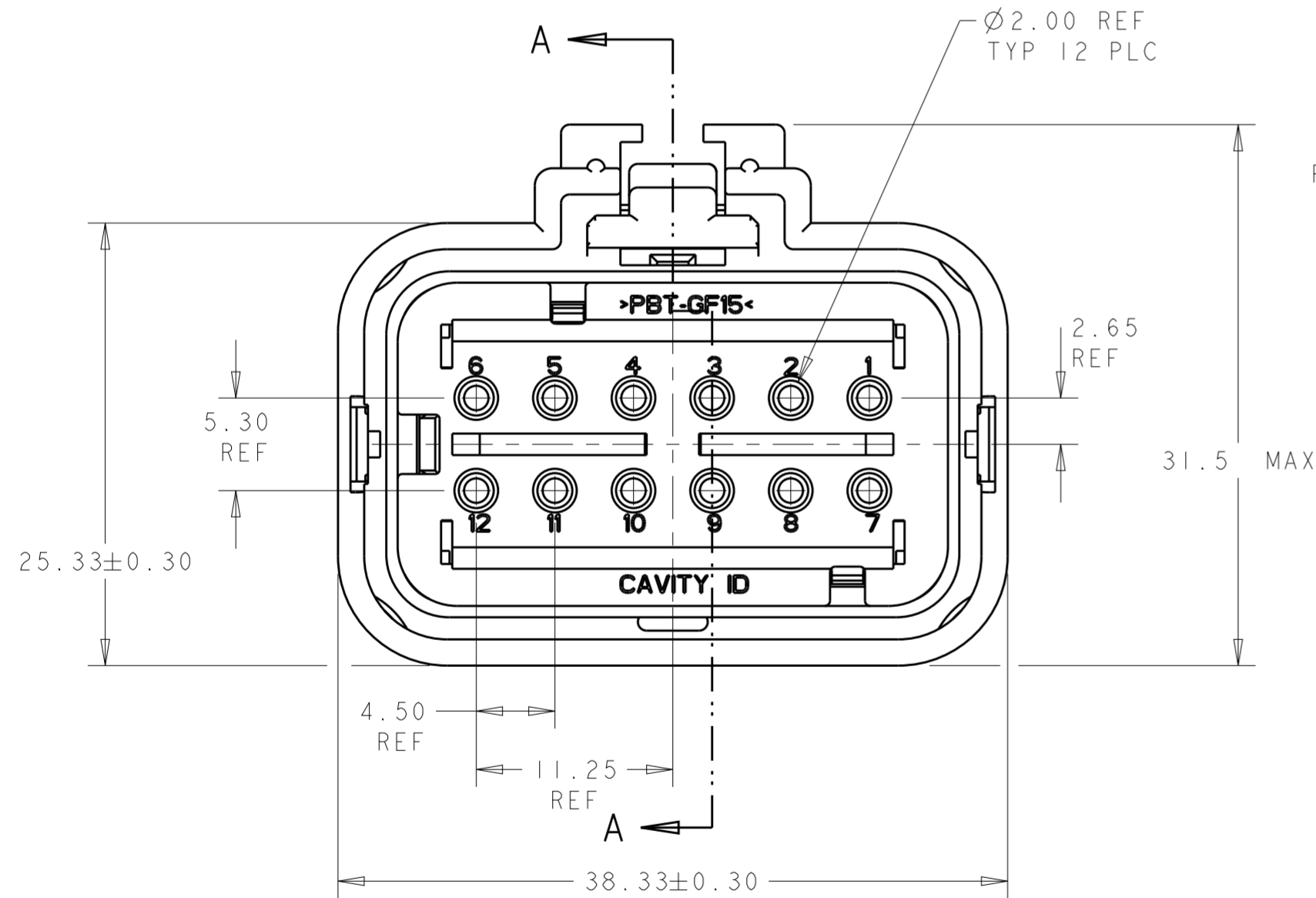


776437-3
SCALE 2:1

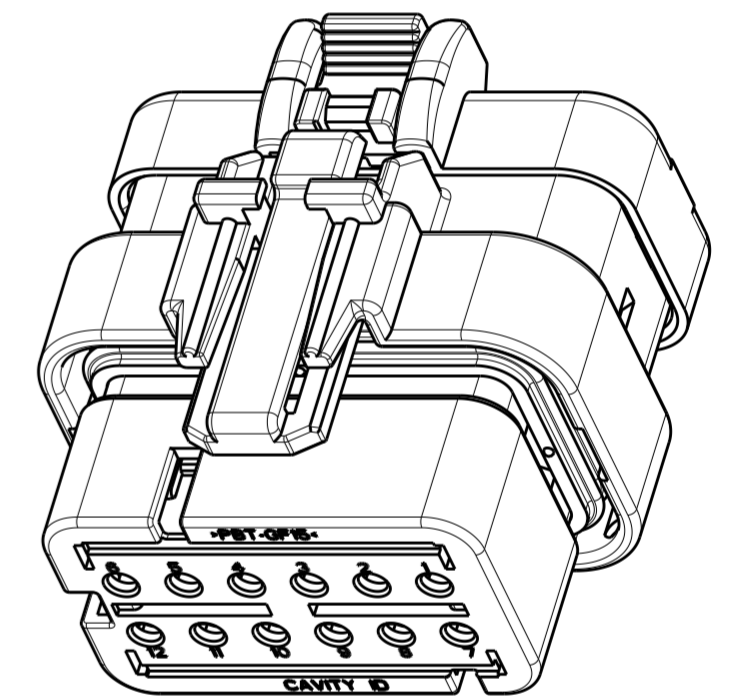
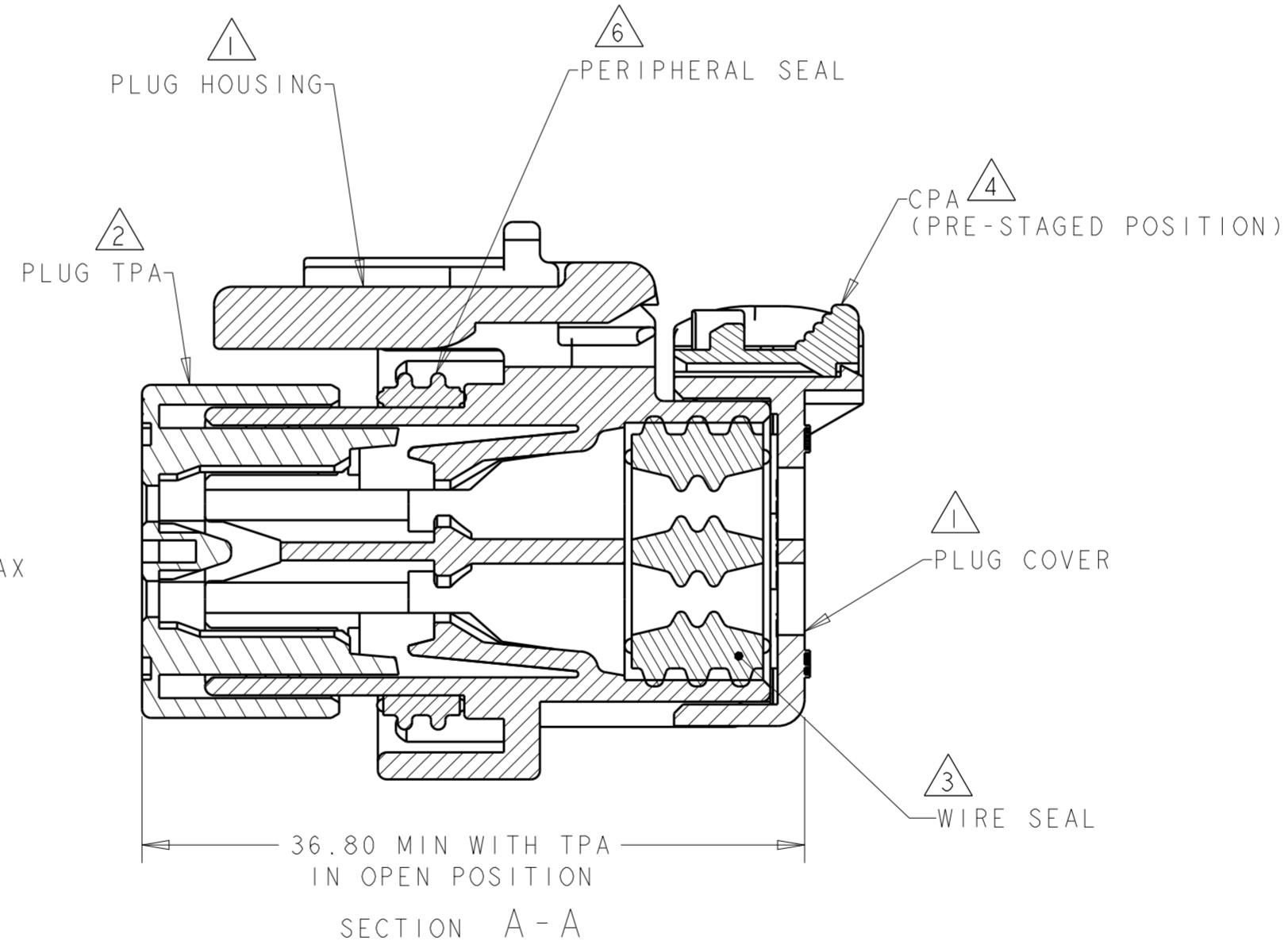


776437-4
SCALE 2:1

- 1 MATERIAL: 15% GLASS FILLED THERMOPLASTIC
COLOR: BLACK
- 2 MATERIAL: 15% GLASS FILLED THERMOPLASTIC
COLOR: (SEE TABLE)
- 3 MATERIAL: SILICONE
COLOR: GREEN
- 4 MATERIAL: 15% GLASS FILLED THERMOPLASTIC
COLOR: RED
- 5. RECOMMENDED WIRE DIAMETER RANGE IS 2.18 TO 3.67mm.
- 6 MATERIAL: SILICONE
COLOR: TAN



776437-1 SHOWN



SCALE 2:1

GREEN	776437-4
YELLOW	776437-3
GRAY	776437-2
RED	776437-1
TPA COLOR	PART NUMBER

THIS DRAWING IS A CONTROLLED DOCUMENT.		DWN AJ GRAFF 07JUN00	TE Connectivity	
DIMENSIONS: mm		CHK R GREINER 03JAN02		
TOLERANCES UNLESS OTHERWISE SPECIFIED:		APVD M TRULLI 03JAN02	NAME PLUG ASSEMBLY, 12 POSITION, DUAL ROW, AMPSEAL 16	
0 PLC ± 1 PLC ± 2 PLC ± 3 PLC ± 4 PLC ± ANGLES ± FINISH -		PRODUCT SPEC 108-2184	SIZE A20779	CAGE CODE C-776437
MATERIAL		APPLICATION SPEC 114-13065	DRAWING NO G-776437	RESTRICTED TO
		WEIGHT 20	SCALE 3:1	SHEET OF
		Customer Drawing	REV F	

Mouser Electronics

Authorized Distributor

Click to View Pricing, Inventory, Delivery & Lifecycle Information:

[TE Connectivity:](#)

[776437-1](#)