

1 2 3 4 5 6 7 8

A

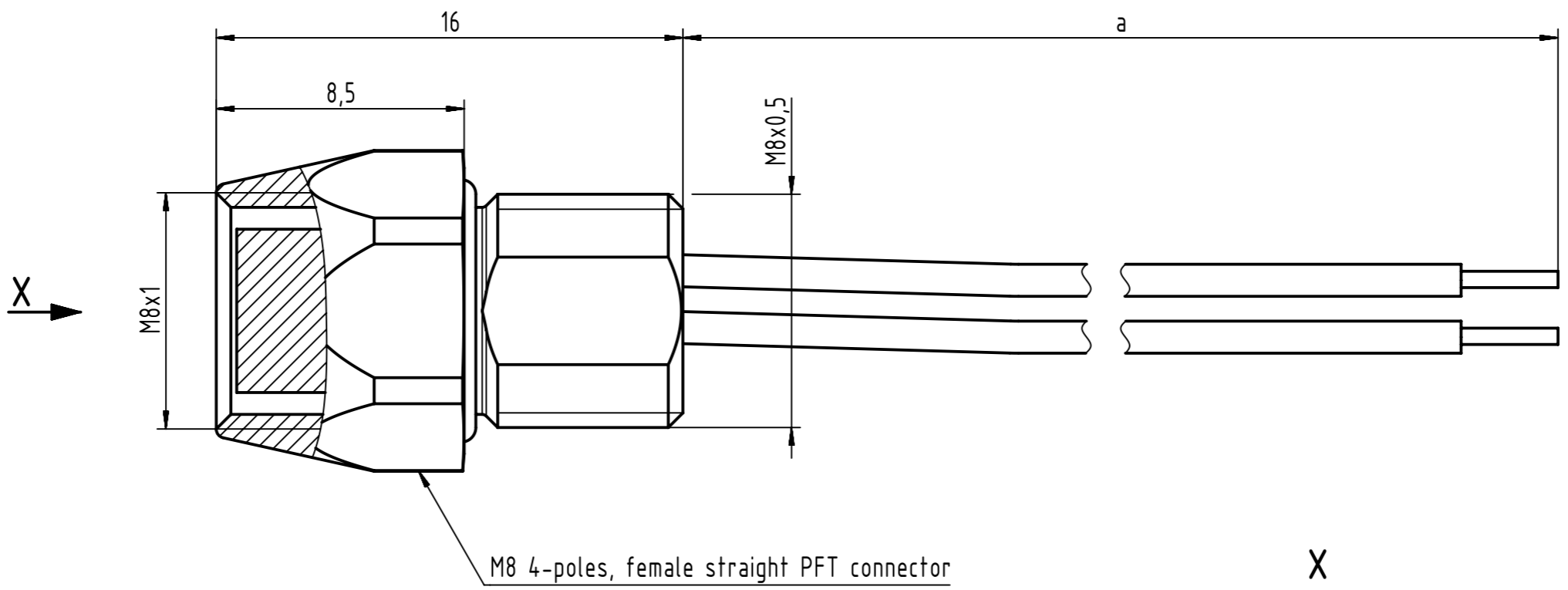
B

C

D

E

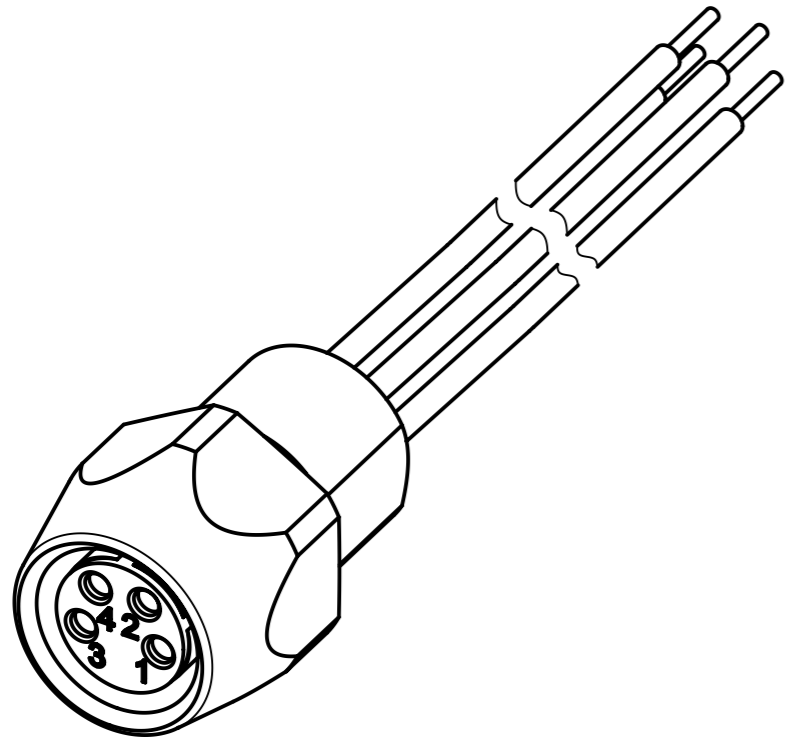
F



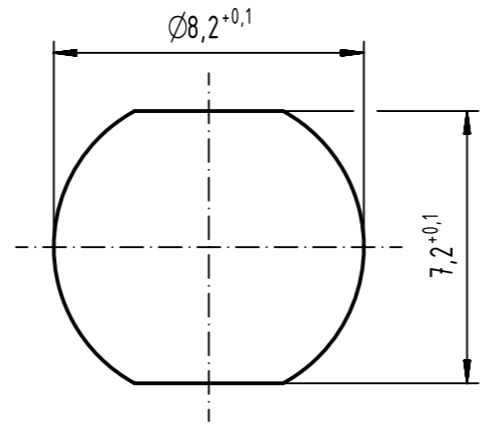
M8 4-poles, female straight PFT connector

Loading-Plan:

- 1 brown
- 2 white
- 3 blue
- 4 black



Recommended panel cut-out



Minimum wall thickness 1.5mm

- Protection level: IP67
- Temperature range: -30°C ... +80°C

1		21023576405		AWG 24, PVC		0.5		All rights reserved Department EC PD - RO HARTING Electronics GmbH D-32339 Espelkamp		All Dimensions in mm Original Size DIN A3 Scale 5:1 Free size tol.		Ref. Sub.	
Cont. No.		Part - no.		Type of cable		Dim. a[m]		Created by TAMAS Inspected by AVRAM Standardisation HOFFMANN Date 2014-08-25 State Final Release		Title M8 Cable Assembly Type TB Number 210235764XX		Doc-Key / ECM-Nr. 100580445/UGD/009/B 50000079096 Rev. B Page 1/1	

1 2 3 4 5 6 7 8

Mouser Electronics

Authorized Distributor

Click to View Pricing, Inventory, Delivery & Lifecycle Information:

[HARTING:](#)

[21023576405](#)