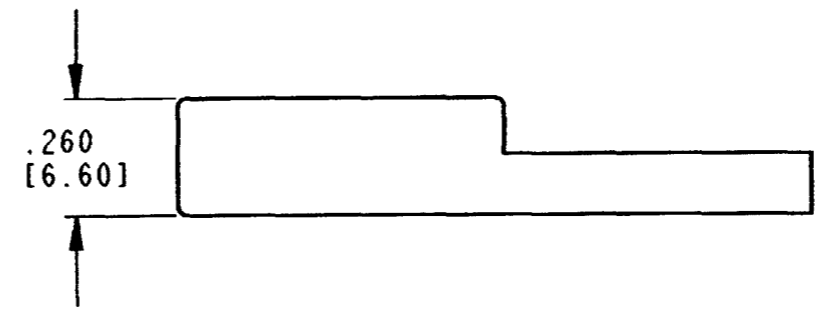
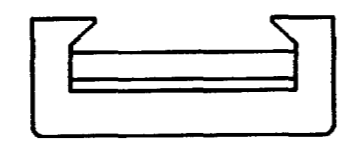
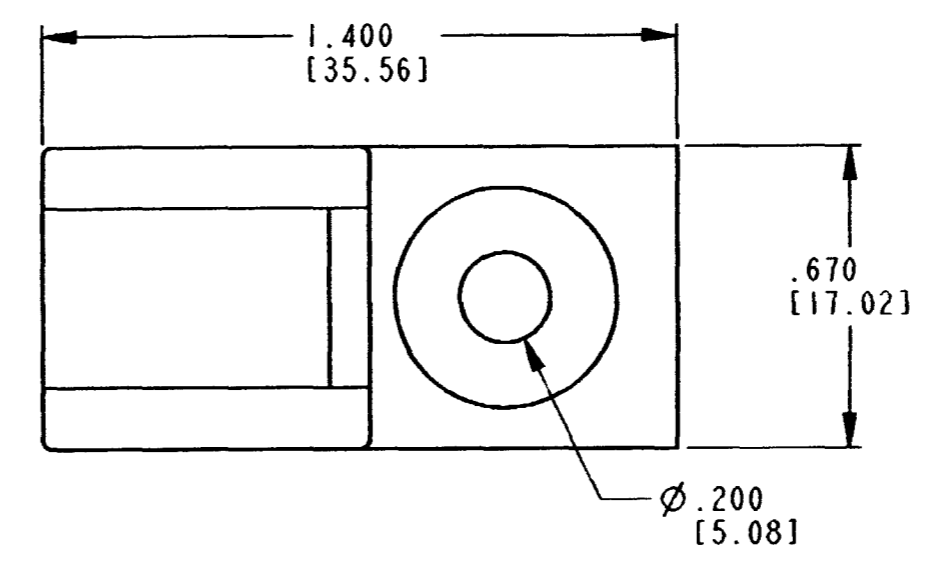
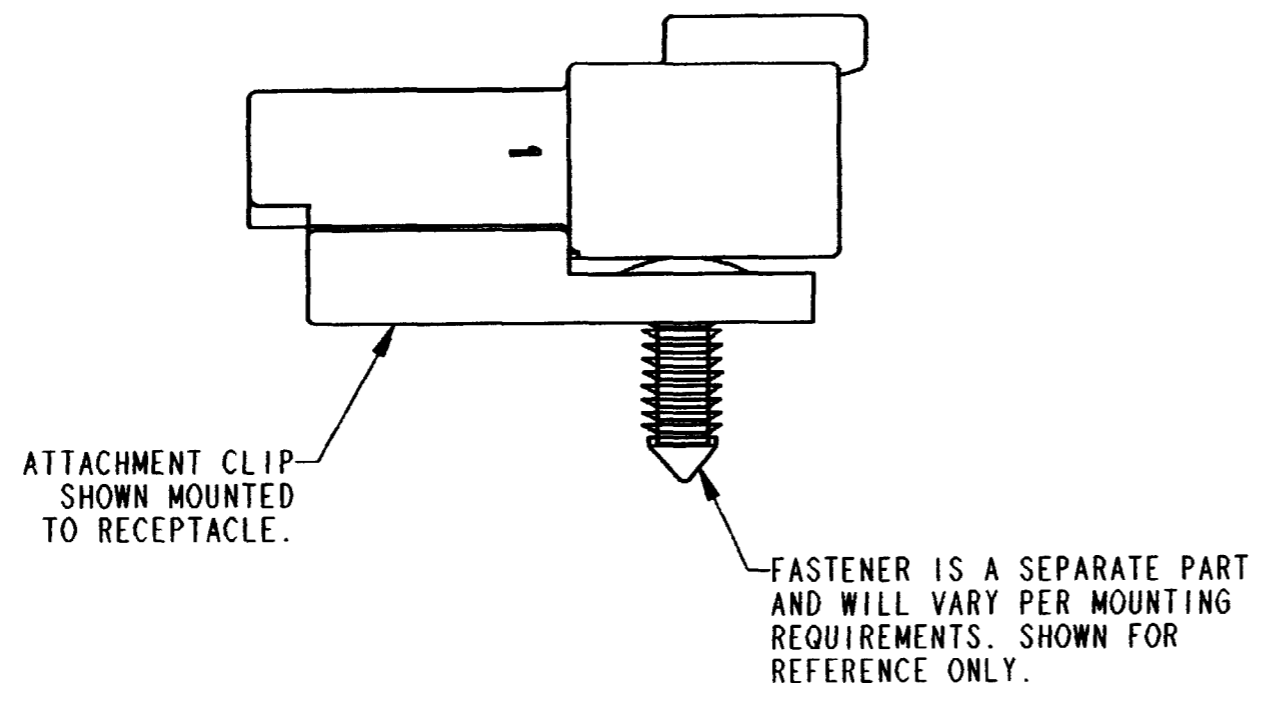


REV
A 1011-026-0205

REVISIONS			
SYM	DESCRIPTION	DATE	APPROVED
NC	NEW RELEASE PER E.O. A13754	1/10/92	
A	REVISED PER E.O. P19489	3-16-07	RDR



- NOTES:
1. ALL DIMENSIONS ARE IN INCHES [MILLIMETERS].
 2. ALL DIMENSIONS ARE ± .025 [.64] UNLESS OTHERWISE SPECIFIED.
 3. MATERIAL: PLASTIC; COLOR: GRAY.

SIGNATURE & DATE		ATTACHMENT CLIP COLOR: GRAY FOR DT RECEPTACLE SIZES 2,3,4,6,12	EP	
DR	A. MALAGON 27FEB07		The Deutch Company	
CHK	R. B. [Signature] 3/16/07		DEUTSCH I.P.D. 3850 INDUSTRIAL AVE. HEMET, CALIF. 92545	
PE	R. [Signature] 2/28/07		B 1011-026-0205	
APPD	S. [Signature] 2/28/07	DWG SIZE	CODE 11139	SHEET 1 OF 1
SCALE	NONE	WT	ENVELOPE	

Mouser Electronics

Authorized Distributor

Click to View Pricing, Inventory, Delivery & Lifecycle Information:

[TE Connectivity:](#)

[1011-026-0205](#)