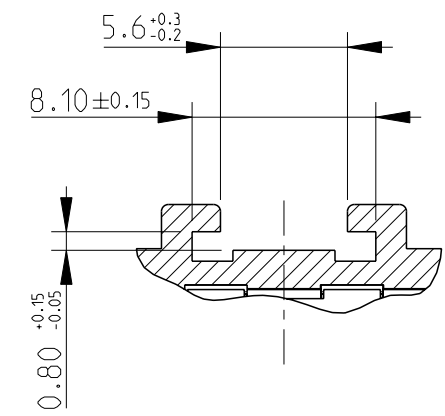
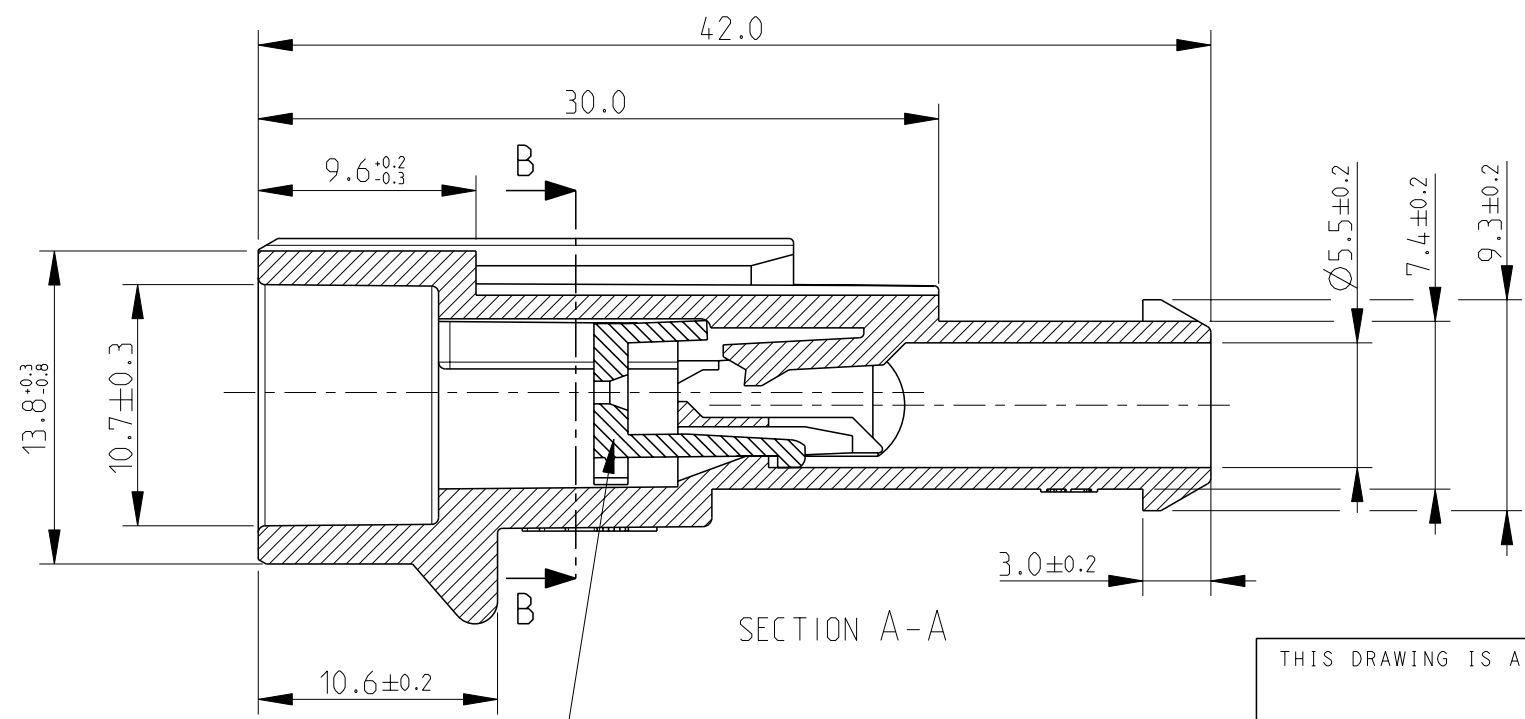
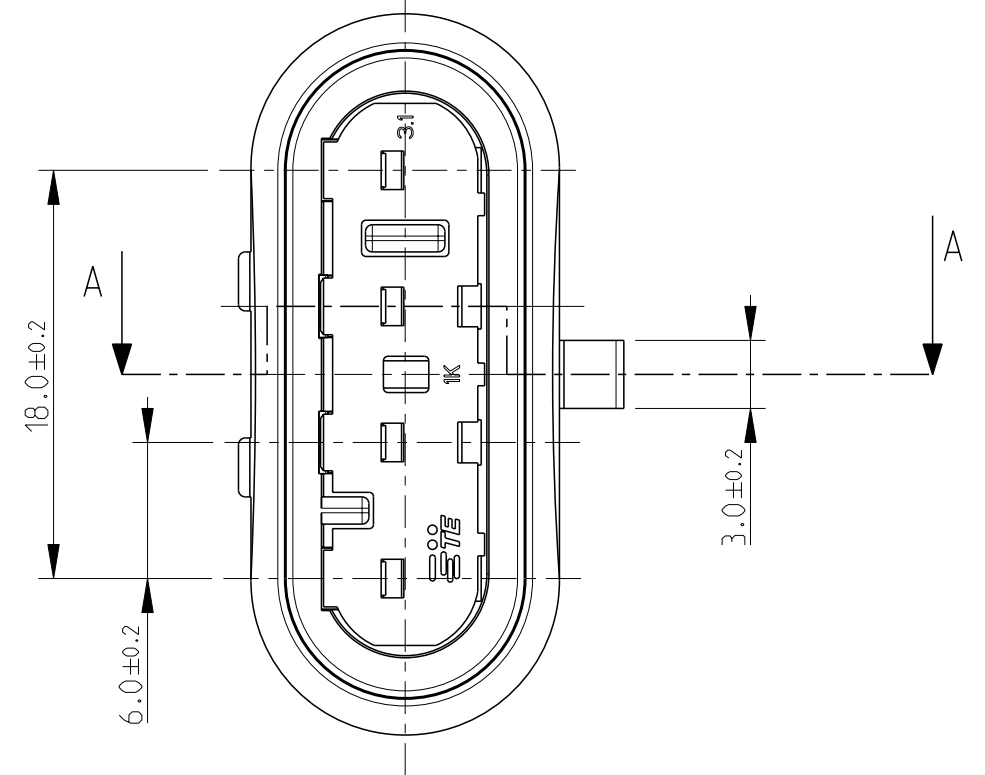
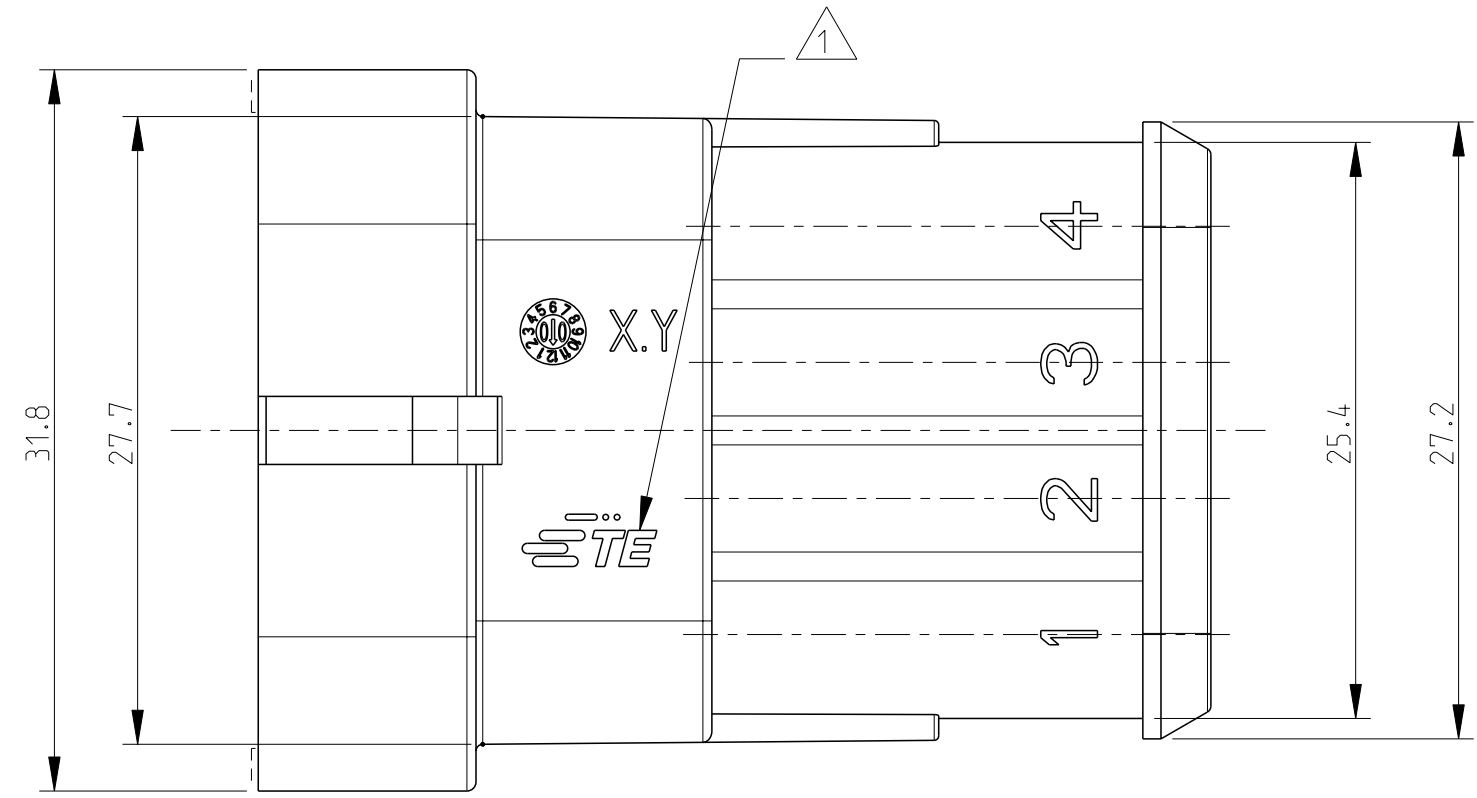


THIS DRAWING IS UNPUBLISHED. RELEASED FOR PUBLICATION 20
 © COPYRIGHT 20 BY - ALL RIGHTS RESERVED.

REVISIONS					
P	LTR	DESCRIPTION	DATE	DWN	APVD
B3		REVISED (ECO-17-009774)	06SEP2017	M.G.	M.G.



PART. SECTION B-B

GRAY	PA66-GF	B	282106-2
BLACK	PA66-GF	B	282106-1
FINISH/COLOR	MATERIAL	REV	PART NUMBER

△ TE CONNECTIVITY TRADE MARK,
 (IN ALTERNATIVE: "AMP" LOGO, OR "Tyco Electronics" LOGO)

PRE-ASSEMBLED SECONDARY LOCK
 (RED COLOR)

THIS DRAWING IS A CONTROLLED DOCUMENT.		DWN C.BERTINI 02 - 1990	TE Connectivity	
		CHK A.BRUNI 02 - 1990		
DIMENSIONS: mm		APVD -	NAME AMP SUPERSEAL 1,5 SERIES CONNECTORS 4 POSITIONS TAB ASS'Y	
TOLERANCES UNLESS OTHERWISE SPECIFIED:		PRODUCT SPEC 108-20090	SIZE A3	
0 PLC ±	± 0.3	APPLICATION SPEC 412-20000	CAGE CODE -	DRAWING NO C-282106
1 PLC ±		WEIGHT 6.14g	RESTRICTED TO -	
2 PLC ±		FINISH -	SCALE 3:1	
3 PLC ±			SHEET 1 OF 1	
4 PLC ±	± 2°	CUSTOMER DRAWING	REV B3	
ANGLES ±		SCALE 3:1		
MATERIAL SEE TABLE		SHEET 1 OF 1		
		REV B3		

Mouser Electronics

Authorized Distributor

Click to View Pricing, Inventory, Delivery & Lifecycle Information:

[TE Connectivity:](#)

[282106-1](#)