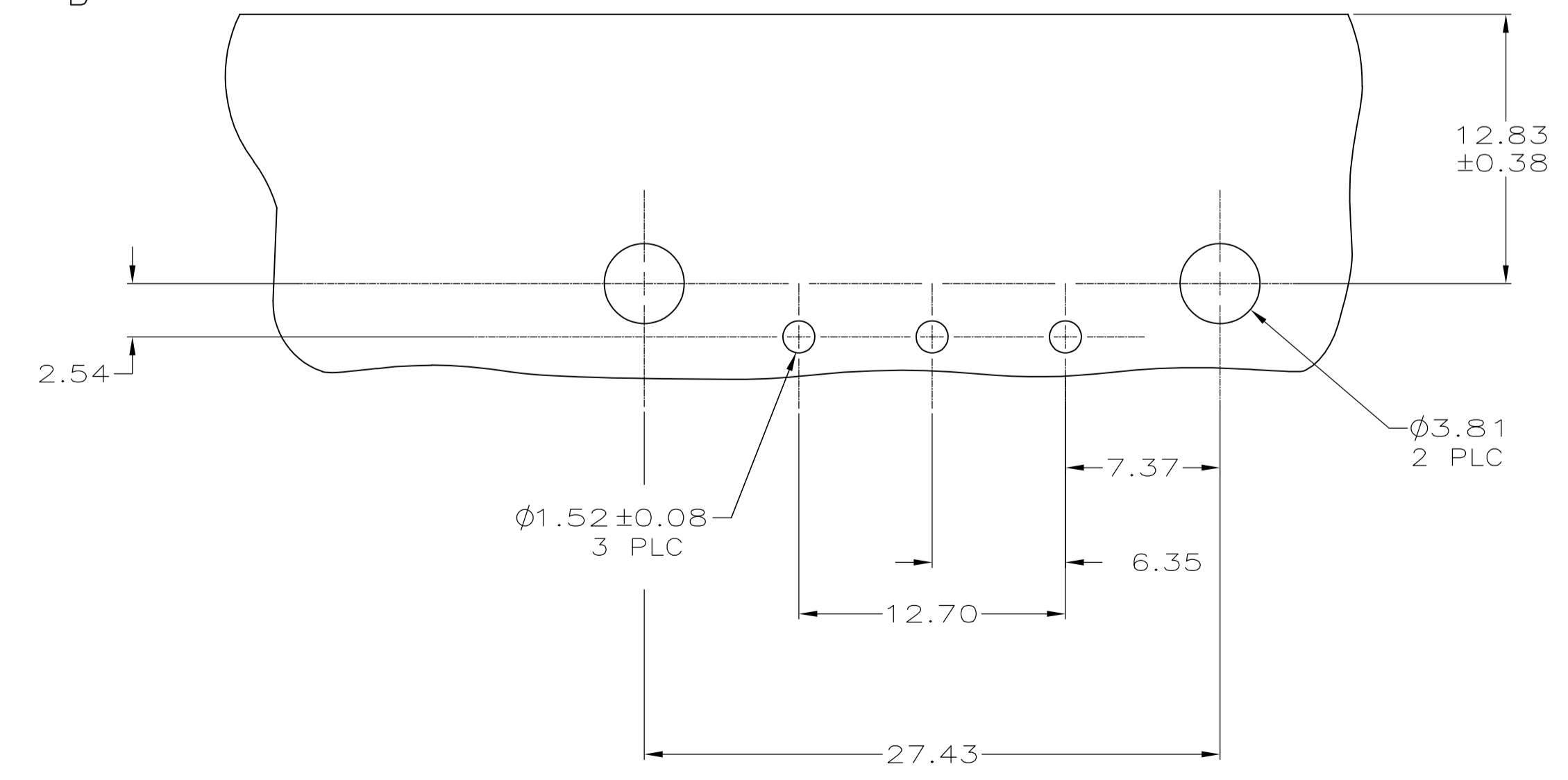
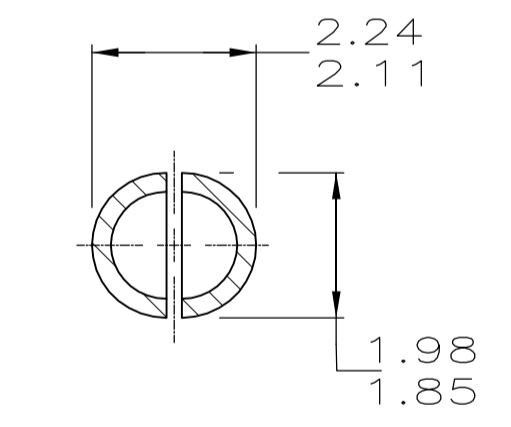
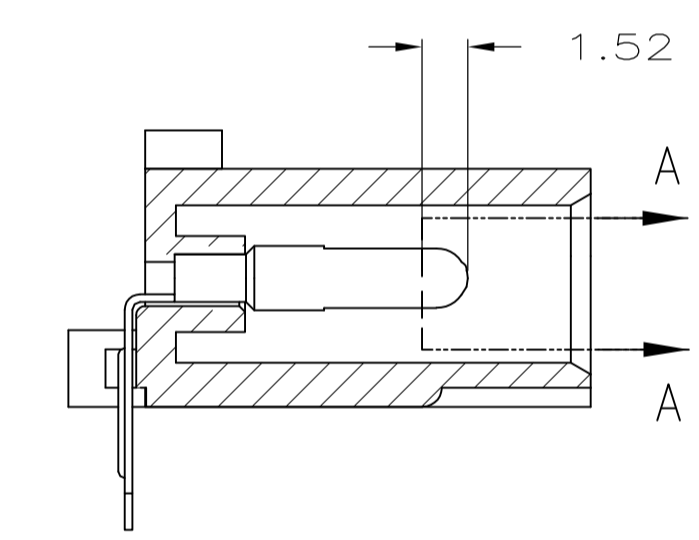
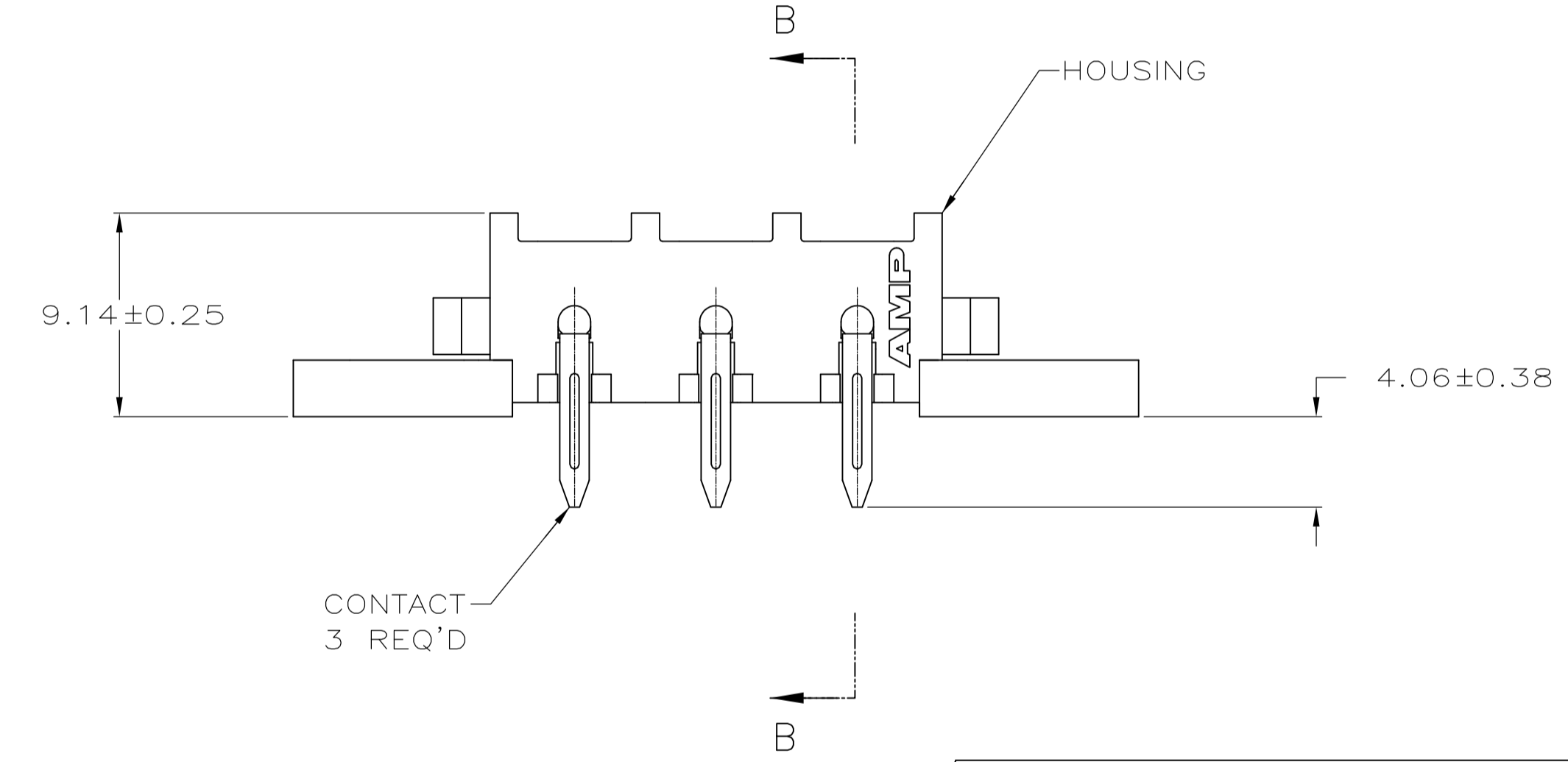
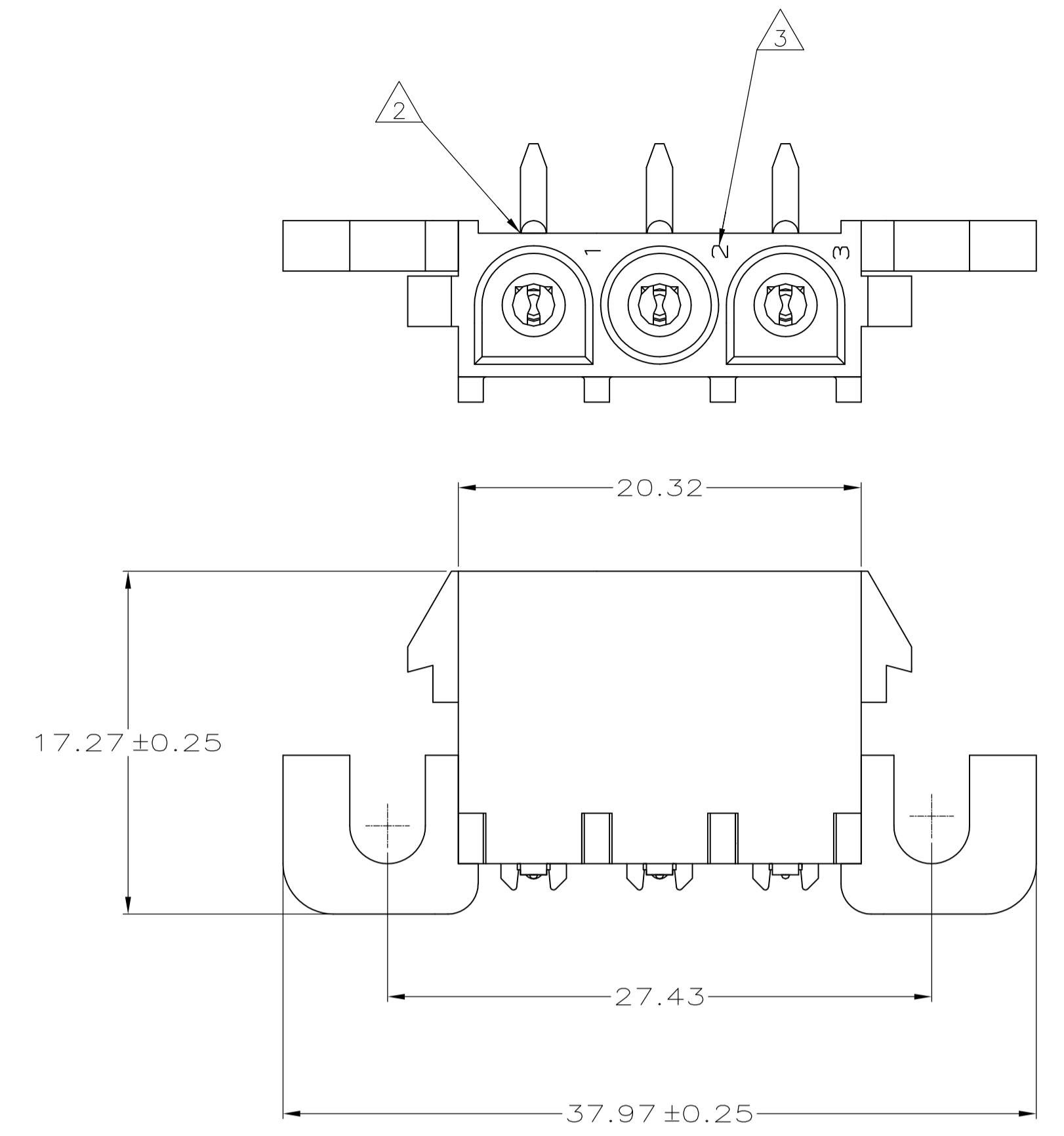


| LOC | DIST | REVISIONS |                           |           |    |      |
|-----|------|-----------|---------------------------|-----------|----|------|
| CM  | 00   | REV       | DESCRIPTION               | DATE      | BY | APPV |
|     |      | B2        | REVISED PER ECR 13-014759 | 24SEP2013 | KB | RP   |
|     |      | B3        | REVISED PER ECR-14-004108 | 19MAR2014 | AV | RP   |
|     |      | B4        | REVISED PER ECR-14-014878 | 19NOV2014 | AV | ZD   |



RECOMMENDED MOUNTING HOLE PATTERN FOR 1.57 THICK P.C. BOARD

- 1 PARTS COMPLY WITH TE SOLDERABILITY SPECIFICATION 109-11-5.
- 2 OPTIONAL CONSTRUCTION MAY DELETE THIS RIB.
- 3 CIRCUIT IDENTIFICATION CHARACTERS ARE ADJACENT TO THE INDICATED CAVITIES, BUT LOCATION AND ORIENTATION MAY DIFFER FROM PRINT.
- 4 FLAMMABILITY V2 FOR THICKNESS 0.38mm, 1.5mm, and 3.0mm PER IEC 60695-11-10.
- 5 GLOW-WIRE FLAMMABILITY (GWF1) 800°C FOR THICKNESS 0.38mm AND 0.75mm PER IEC 60695-2-12.
- 6 GLOW-WIRE FLAMMABILITY (GWF1) 960°C FOR THICKNESS 1.5mm AND 3.0mm PER IEC 60695-2-12.
- 7 GLOW-WIRE IGNITION (GWIT) 825°C FOR THICKNESS 0.38mm, 0.75mm, 1.5mm AND 3.0mm PER IEC 60695-2-13.
- 8 MATERIAL CORRESPONDING TO THE REQUIREMENT OF IEC 60335. (INL GLOW WIRE TEST 750°C WITHOUT FLAME)

| MM     | IN      | MM    | IN    |
|--------|---------|-------|-------|
| 2.29   | .090    | 37.97 | 1.495 |
| 2.24   | .088    | 27.43 | 1.080 |
| 2.11   | .083    | 20.32 | .800  |
| 1.98   | .078    | 17.27 | .680  |
| 1.85   | .073    | 12.83 | .505  |
| 1.57   | .062    | 12.70 | .500  |
| 1.52   | .060    | 9.14  | .360  |
| 0.38   | .015    | 7.37  | .290  |
| 0.25   | .010    | 6.35  | .250  |
| 0.13   | .005    | 4.57  | .180  |
| 0.08   | .003    | 4.06  | .160  |
| .00127 | .000050 | 3.81  | .150  |
| .00076 | .000030 | 2.54  | .100  |
| MM     | IN      | MM    | IN    |

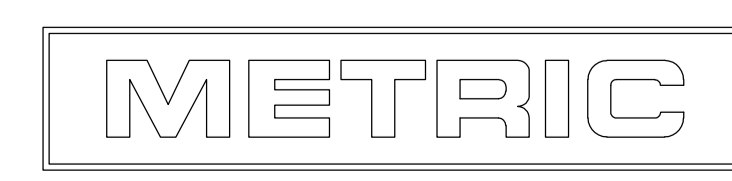
CONVERSION TABLE

|                |                   |             |
|----------------|-------------------|-------------|
| PH BRZ PRE-TIN | NYLON 66 UL 94V-0 | 1586892-3   |
| PH BRZ PRE-TIN | NYLON UL 94V-2    | 1586892-1   |
| CONTACT        | HOUSING           | PART NUMBER |

THIS DRAWING IS A CONTROLLED DOCUMENT.

|                    |  |                           |                             |
|--------------------|--|---------------------------|-----------------------------|
| DIMENSIONS: mm     | TOLERANCES UNLESS OTHERWISE SPECIFIED: | DIN K. WHITAKER 09AUG2007 | NAME                        |
| 0 PLC ± -          | 1 PLC ± -                              | CHK D. COLEY 09AUG2007    | APPROVED D. COLEY 09AUG2007 |
| 2 PLC ± 0.13       | 3 PLC ± -                              | PRODUCT SPEC 108-1053     |                             |
| 4 PLC ± -          | ANGLES ± -                             | APPLICATION SPEC 114-1010 |                             |
| MATERIAL SEE TABLE | FINISH SEE TABLE                       | WEIGHT -                  | SIZE A1                     |
|                    |  | 00779                     | DRAWING NO. 1586892         |
|                    |  | CUSTOMER DRAWING          | RESTRICTED TO               |

SCALE 4:1 SHEET 1 OF 1 REV B4



# Mouser Electronics

Authorized Distributor

Click to View Pricing, Inventory, Delivery & Lifecycle Information:

[TE Connectivity:](#)

[1586892-1](#)