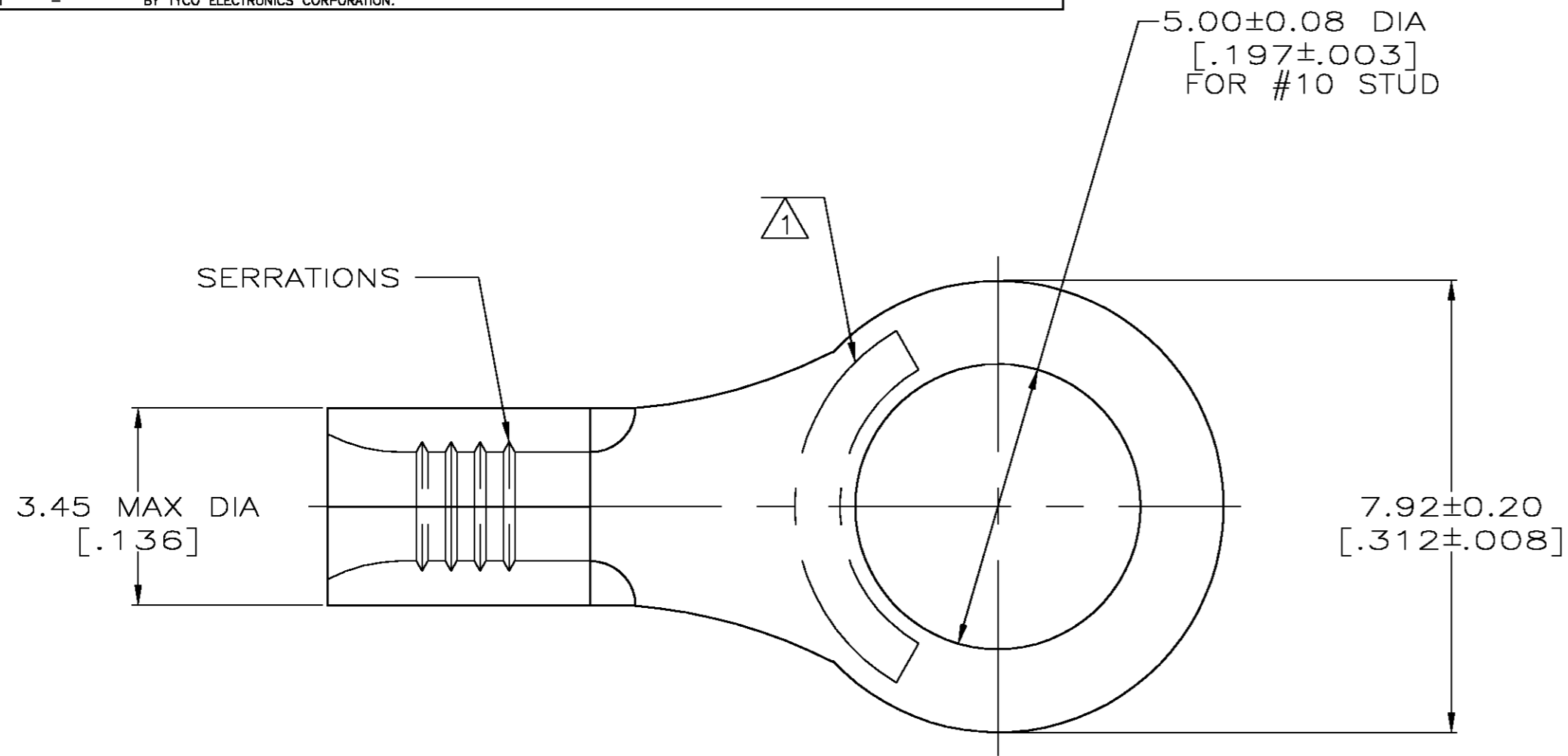
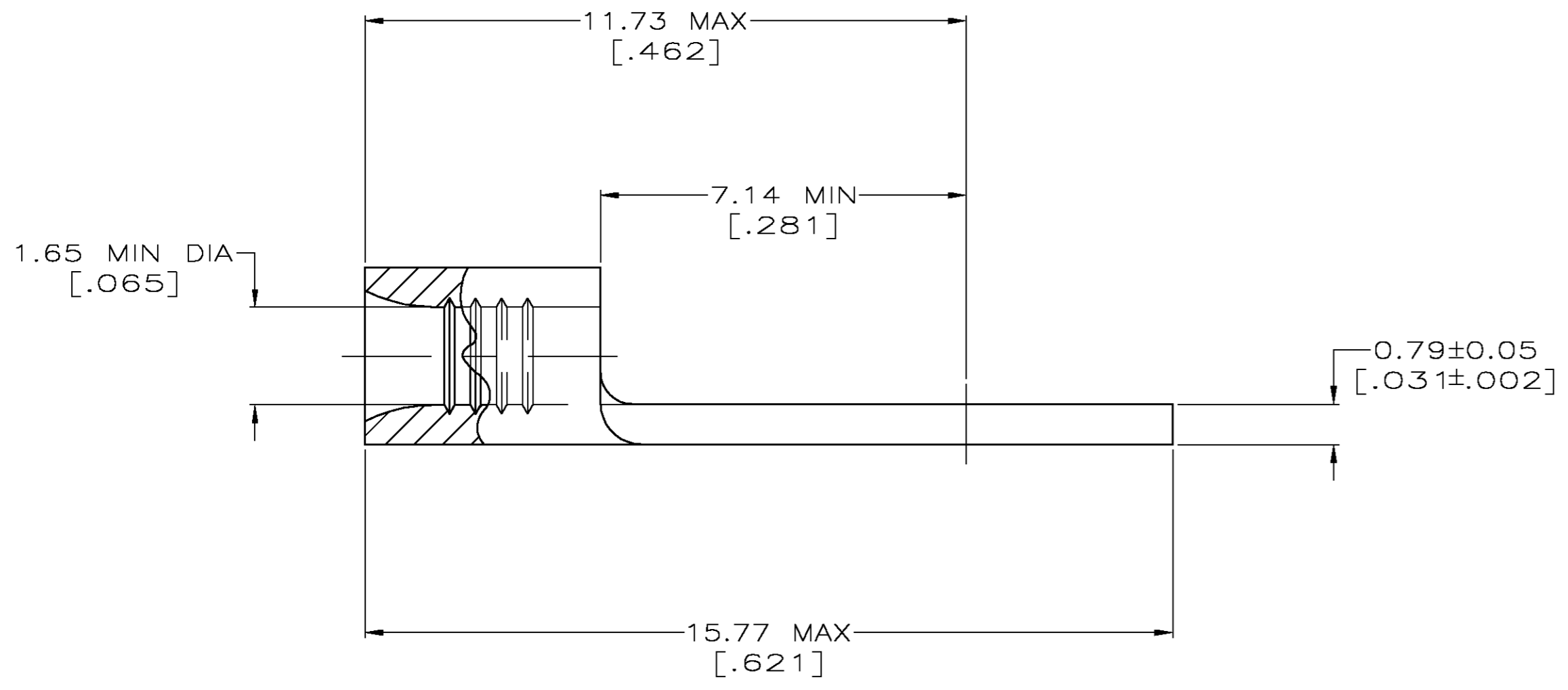


THIS DRAWING IS UNPUBLISHED. RELEASED FOR PUBLICATION
 © COPYRIGHT BY TYCO ELECTRONICS CORPORATION. ALL RIGHTS RESERVED.

LOC	DIST	REVISIONS					
G	14	P	LTR	DESCRIPTION	DATE	DWN	APVD
		H		REV PER 0G3A-0600-03	30SEPT03	JR	MS



AMP WIRE RANGE	Listed FILE E13288
22-16 AWG STRANDED	22-16 AWG STRANDED



- △1 STAMP AMP 22-18* APPROX AS SHOWN
22-16 TERMINALS ARE STAMPED 22-18 IN
ACCORDANCE WITH MILITARY SPECIFICATION
MIL-T-7928; COMMERCIAL WIRE RANGE IS 22-16
- △2 TIN PLATE 0.00254 [.000100] MIN THK
- △3 PRELIMINARY - NOT FOR PRODUCTION

50	LOOSE PIECE, BOX	8-30693-2
5000	ON TAPE, REEL	△3 3-30693-7
-	LOOSE PIECE	30693
QTY	PACKAGE TYPE	PART NO.

AMP INCORPORATED CUSTOMER SERVICE SYSTEMS		MAX RECOMMENDED OPERATING TEMPERATURE: 170°C
FOR ADDITIONAL PRODUCT INFORMATION OR COPIES OF DRAWINGS AND TECHNICAL DOCUMENTS	PRODUCT INFORMATION CENTER 1-800-522-6752	VOLTAGE RATING: N/A
FOR APPLICATION TOOLING INFORMATION	TOOLING ASSISTANCE CENTER 1-800-722-1111	CIRCULAR MIL AREA: 0.26-1.65mm ² [509-3,260] STRANDED
FOR ORDER ENTRY	1-800-526-5142	THIS DRAWING IS A CONTROLLED DOCUMENT FOR AMP INCORPORATED. IT IS SUBJECT TO CHANGE AND THE CONTROLLING ENGINEERING ORGANIZATION SHOULD BE CONTACTED FOR THE LATEST REVISION.

THIS DRAWING IS A CONTROLLED DOCUMENT.		DWN TA BRINKMAN 2-3-93	tyco Electronics		Tyco Electronics Corporation Harrisburg, PA 17105	
DIMENSIONS: INCHES		CHK DA PATTERSON 2-3-93	NAME DA PATTERSON 2-3-93			
TOLERANCES UNLESS OTHERWISE SPECIFIED:		APVD DA PATTERSON 2-3-93	PRODUCT SPEC -			
0 PLC ± -		APPLICATION SPEC -				
1 PLC ± -		WEIGHT -				
2 PLC ± -		SIZE A2				
3 PLC ± -		CAGE CODE 00779				
4 PLC ± -		DRAWING NO G=30693				
ANGLES ± -		RESTRICTED TO -				
FINISH TIN PLATE △2		CUSTOMER DRAWING				
		SCALE 10:1		SHEET 1 OF 1		
				REV H		

30693

Mouser Electronics

Authorized Distributor

Click to View Pricing, Inventory, Delivery & Lifecycle Information:

[TE Connectivity:](#)

[30693](#)