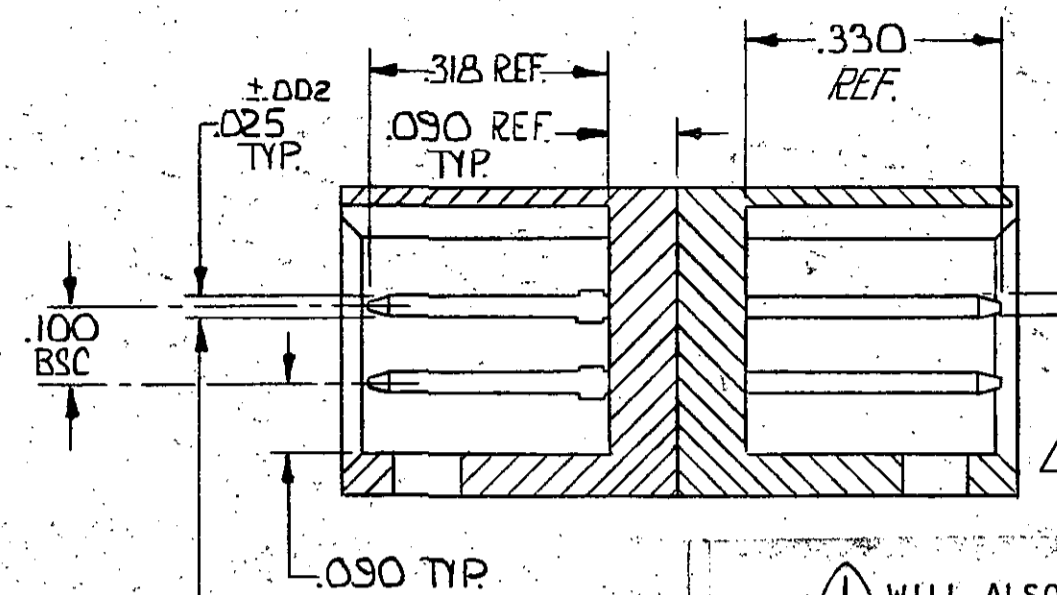
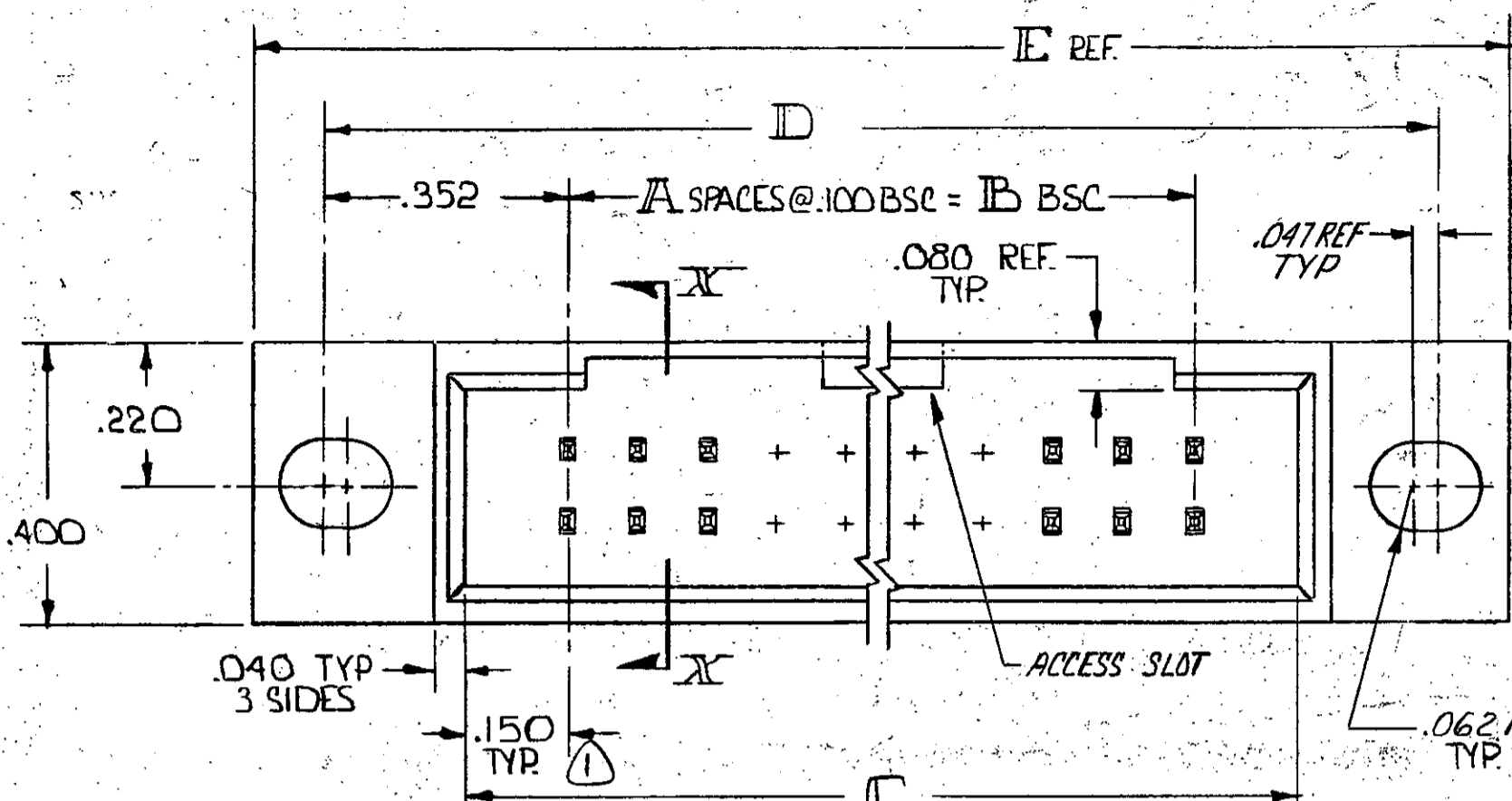


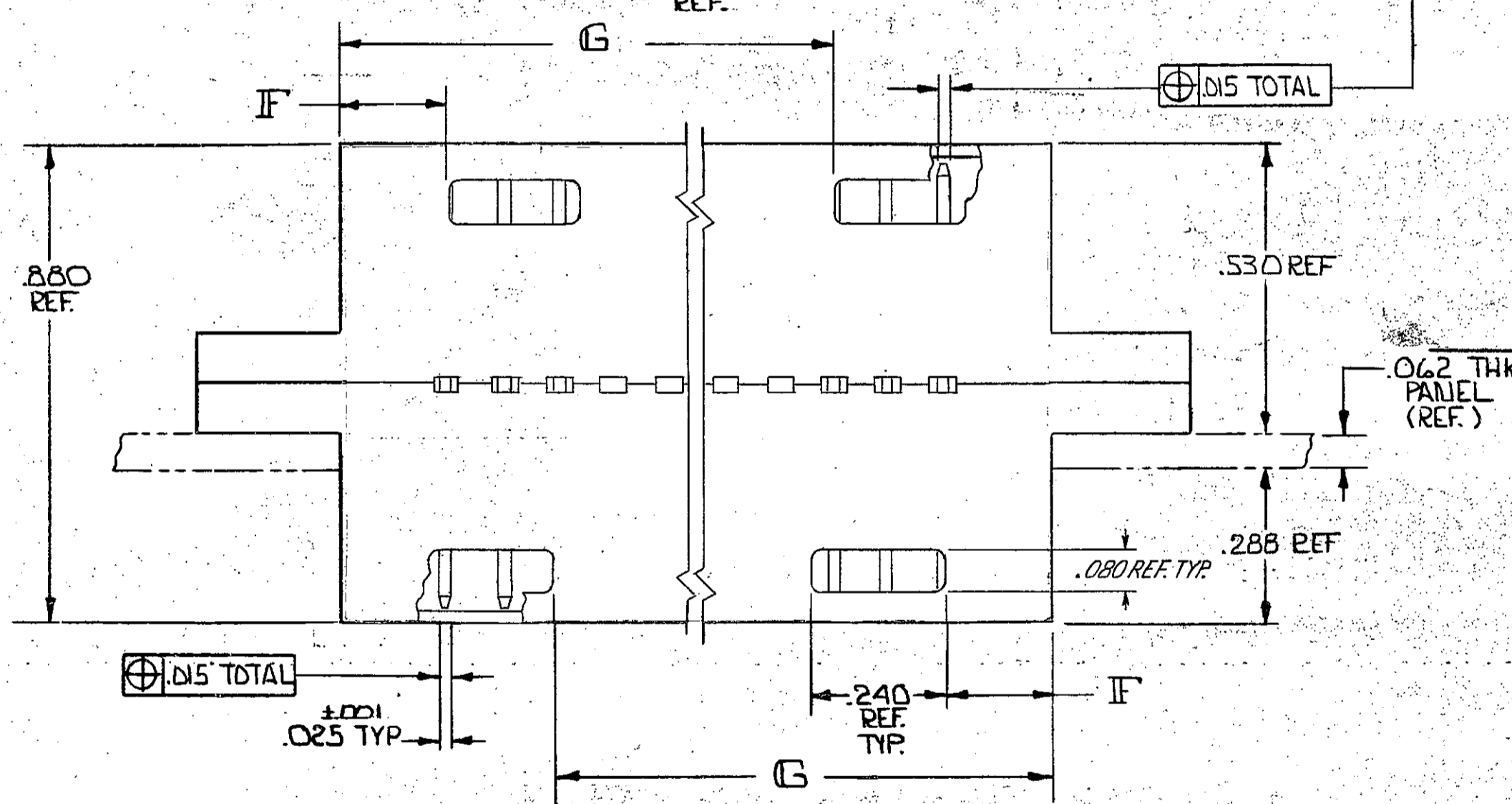
© COPYRIGHT 1975-83 BY AMP INCORPORATED, HARRISBURG, PA. ALL INTERNATIONAL RIGHTS RESERVED. AMP INCORPORATED PRODUCTS COVERED BY U. S. AND FOREIGN PATENTS AND/OR PATENTS PENDING.

REVISIONS					
F	ZONE	LTR	DESCRIPTION	DATE	APPROVED
✓	E		REV PER AD-5084	2-7-77	JF
✓	F		REV PER 0610-0931-93	9-13	RAC/JJA
✓	G		REV PER 0610-0375-74	3-10-74	JK
✓	H		REV PER 0310-0146-96	2-27-97	EB/AS
	H1		REVISED PER ECO-09-026346	NOV09	AEG

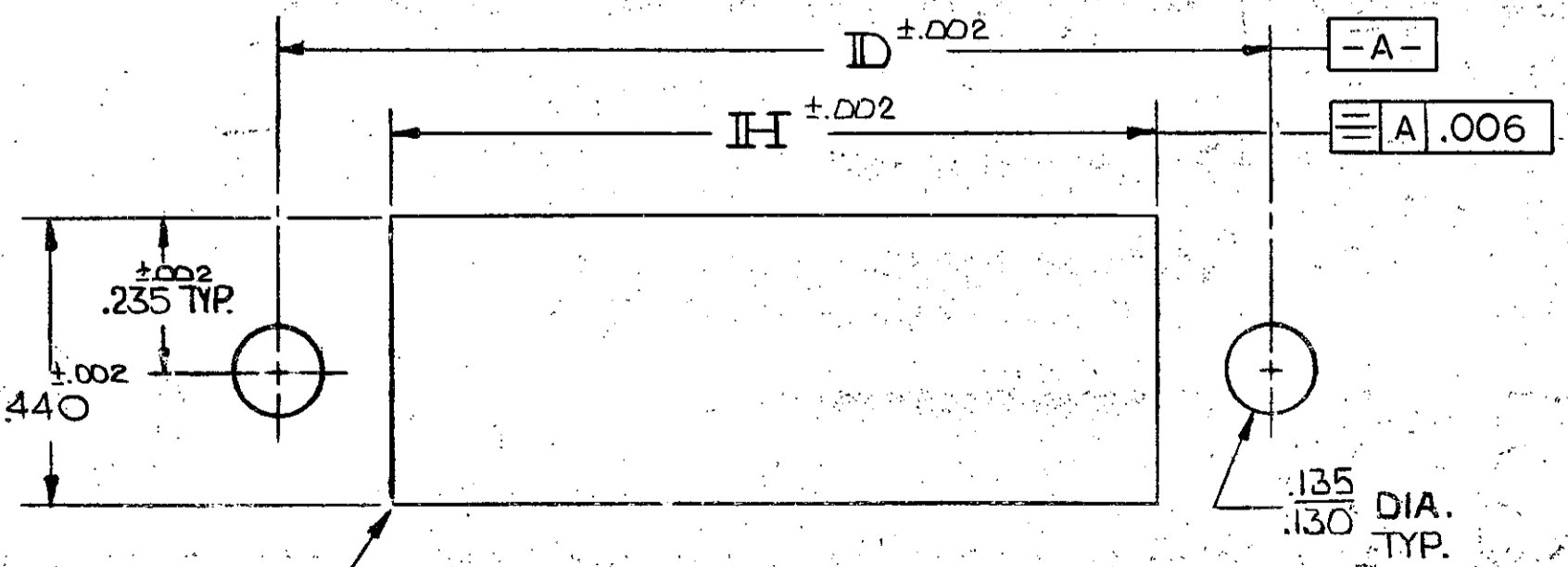


① WILL ALSO MATE W/OTHER CONNECTORS WHICH ARE COMPATIBLE WITH THE .150 END DIM. WILL MATE W/ MOD IV HAVING FOUR EXTRA EMPTY CIRCUITS (TWO EACH END -- EX: 20 POS. POST HDR. WILL MATE W/24 POS. MOD IV HSG.)

⚠ OBSOLETE PART NUMBER



DIS TOTAL	3.000	2.890	.190	3.804	3.604	3.200	2.900	29	60	2-87605-6
	3.200	2.790		3.704	3.504	3.100	2.800	28	58	2-87605-5
	3.100	2.690		3.604	3.404	3.000	2.700	27	56	2-87605-4
	3.000	2.590		3.504	3.304	2.900	2.600	26	54	2-87605-3
	2.900	2.490		3.404	3.204	2.800	2.500	25	52	2-87605-2
	2.800	2.390		3.304	3.104	2.700	2.400	24	50	2-87605-1
	2.700	2.290		3.204	3.004	2.600	2.300	23	48	2-87605-0
	2.600	2.190		3.104	2.904	2.500	2.200	22	46	2-87605-9
	2.500	2.090		3.004	2.804	2.400	2.100	21	44	2-87605-8
	2.400	1.990		2.904	2.704	2.300	2.000	20	42	2-87605-7
	2.300	1.890		2.804	2.604	2.200	1.900	19	40	2-87605-6
	2.200	1.790		2.704	2.504	2.100	1.800	18	38	2-87605-5
	2.100	1.690		2.604	2.404	2.000	1.700	17	36	2-87605-4
	2.000	1.590		2.504	2.304	1.900	1.600	16	34	2-87605-3
	1.900	1.490		2.404	2.204	1.800	1.500	15	32	2-87605-2
	1.800	1.390		2.304	2.104	1.700	1.400	14	30	2-87605-1
	1.700	1.290		2.204	2.004	1.600	1.300	13	28	2-87605-0
	1.600	1.190		2.104	1.904	1.500	1.200	12	26	2-87605-9
	1.500	1.090		2.004	1.804	1.400	1.100	11	24	2-87605-8
	1.400	.990		1.904	1.704	1.300	1.000	10	22	2-87605-7
	1.300	.890	.190	1.804	1.604	1.200	.900	9	20	2-87605-6
	1.200	—	.490	1.704	1.504	1.100	.800	8	18	2-87605-5
	1.100	—	.390	1.604	1.404	1.000	.700	7	16	2-87605-4
	1.000	—	.390	1.504	1.304	.900	.600	6	14	2-87605-3
	.900	—	.290	1.404	1.204	.800	.500	5	12	2-87605-2
	.800	—	.290	1.304	1.104	.700	.400	4	10	2-87605-1



RECOMMENDED PANEL CUT-OUT

UNLESS OTHERWISE SPECIFIED DIMENSIONS ARE IN INCHES. TOLERANCES ON: DECIMALS ±.005 ANGLES ±	CONTRACT NO	AMP INCORPORATED, Harrisburg, Pa.
	DR: 9/18/75	
MATERIAL: HSG'S. - GLASS FILLED NYLON, COLOR: BLACK, CONTACT - PHOS BRONZE	CHK: DIM WITH 9-18-75	.100 x .100 CENTERS MTG. EARS W/PIN PROTECTORS BOTH SIDES (MATES W/ AMP LATCH AND/OR FCC) Ⓢ
FINISH: CONTACT - .000030 GOLD OVER .000050 NICKEL	APPD: Bennett 9-22-75 R. Clark 9-22-75	
OTHER APPD:	DSGN APPD:	SIZE: CC BY NO. DRAWING NO.
		87605
		SHEET 1 of 1

CUSTOMER DRAWING

Mouser Electronics

Authorized Distributor

Click to View Pricing, Inventory, Delivery & Lifecycle Information:

[TE Connectivity:](#)

[1-87605-6](#)