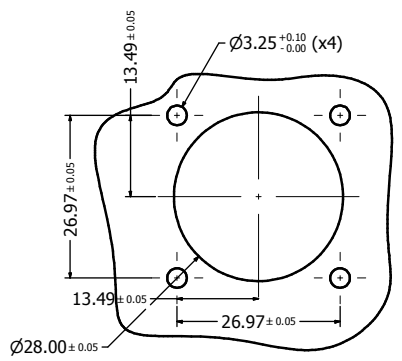
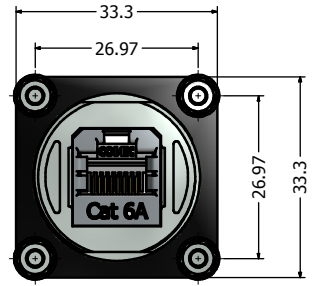
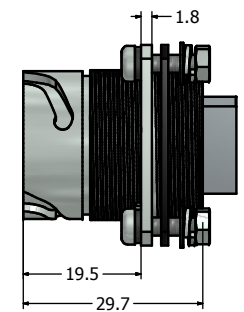
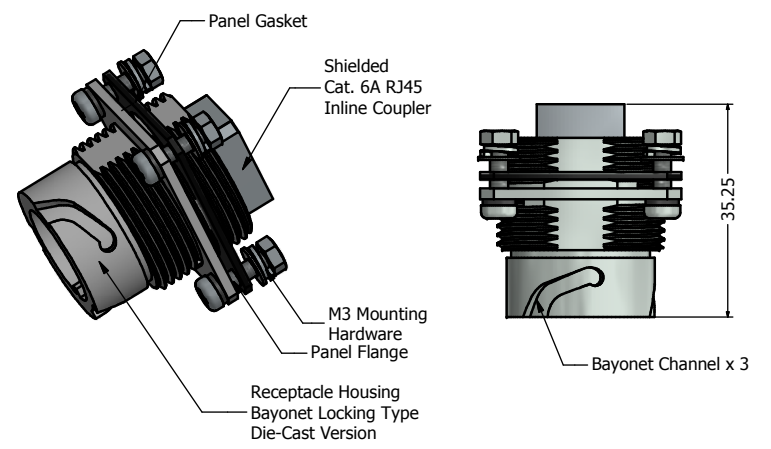


Recommended Double-D Panel Cutout



Recommended Round Panel Cutout



- Notes:**
- Electrical Specifications:
    - Meets EIA/TIA-568-B.2-10 Cat.6A Channel Specification
    - Contact Resistance: 20mOhm max.
    - Insulation Resistance: 500MOhm min. @ 100 VDC
    - Current Rating: 1.0A max. at 25° C
    - Working Voltage: 100 VDC
    - DWV: 1000 VDC/60s Contact to Contact, 1500 VDC/60s Contact to Metal Shell
    - Operating Temperature: -40° C to +85° C
  - Material and Finish:
    - Receptacle Housing (with Flange) and Cover: Zinc Die-Cast, Finish: Nickel Plated
    - Cover Gasket: Silicon, Color: White
    - Ball Chain Assembly, Copper Alloy and Stainless steel, Nickel Plated
    - RJ45 Jack Metal Shell: Copper Alloy, Nickel Plated
    - RJ45 Jack Plastic Housing: Glass filled PBT UL94 V-0, Color: Black
    - RJ45 Jack Contacts: Phosphor Bronze, Finish: 50u" Gold min. over Nickel
    - Panel Gasket: NBR, Color: Black
    - M3 Mounting Hardware: Stainless Steel
    - Includes 4 x (Screw + Nut + Flat Washer + Spring Lock Washer)
  - Connector can be front or rear mounted to a maximum panel thickness of 3.2mm.
  - IP67 rated when covered or fully mated with the appropriate mating connector
  - Hardware shipped unassembled
  - Recommended mounting torque is 8 to 10 lb-inch

Directive 2002/95/EC RoHS Compliant

THIS DRAWING MAY NOT BE COPIED OR REPRODUCED IN ANY MANNER AND MAY NOT BE PASSED ON TO A THIRD PARTY WITHOUT WRITTEN PERMISSION. OWNERSHIP AND COPYRIGHT OF CONEC CORPORATION.	Customer:			Tolerance Unless otherwise specified 0 PLC ±0.50 1 PLC ±0.38 2 PLC ±0.25 3 PLC ±0.10 ANGLES ±.7		Scale:	Dim. in mm	
	Name	Title	Approval Date			Material: See Notes		
						IP67 Cat. 6A RJ45 Inline Coupler Receptacle (with Flange) + Cover Kit Nickel Plated Zinc Die-Cast Version		
						Drawing No.: 17K1A367		
						Part No.: 17-160014		
	Rev.	Changes	Date	Name			DIN A3 Sheet 1/1	

# Mouser Electronics

Authorized Distributor

Click to View Pricing, Inventory, Delivery & Lifecycle Information:

[CONEC:](#)

[17-160014](#)