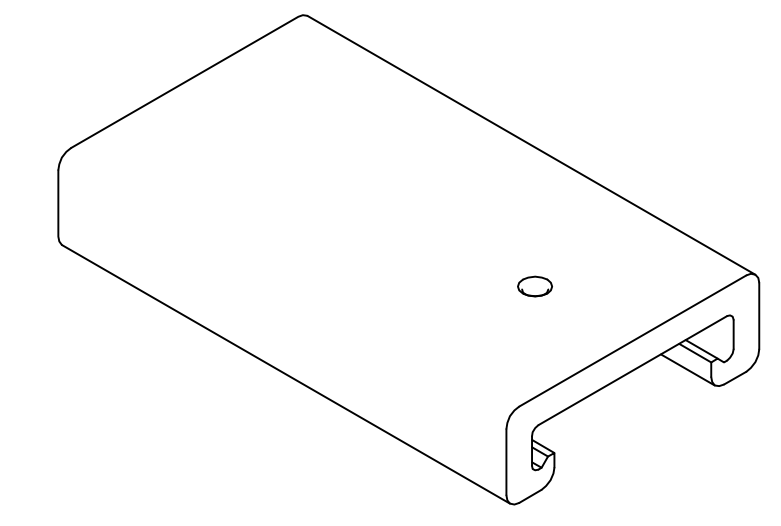
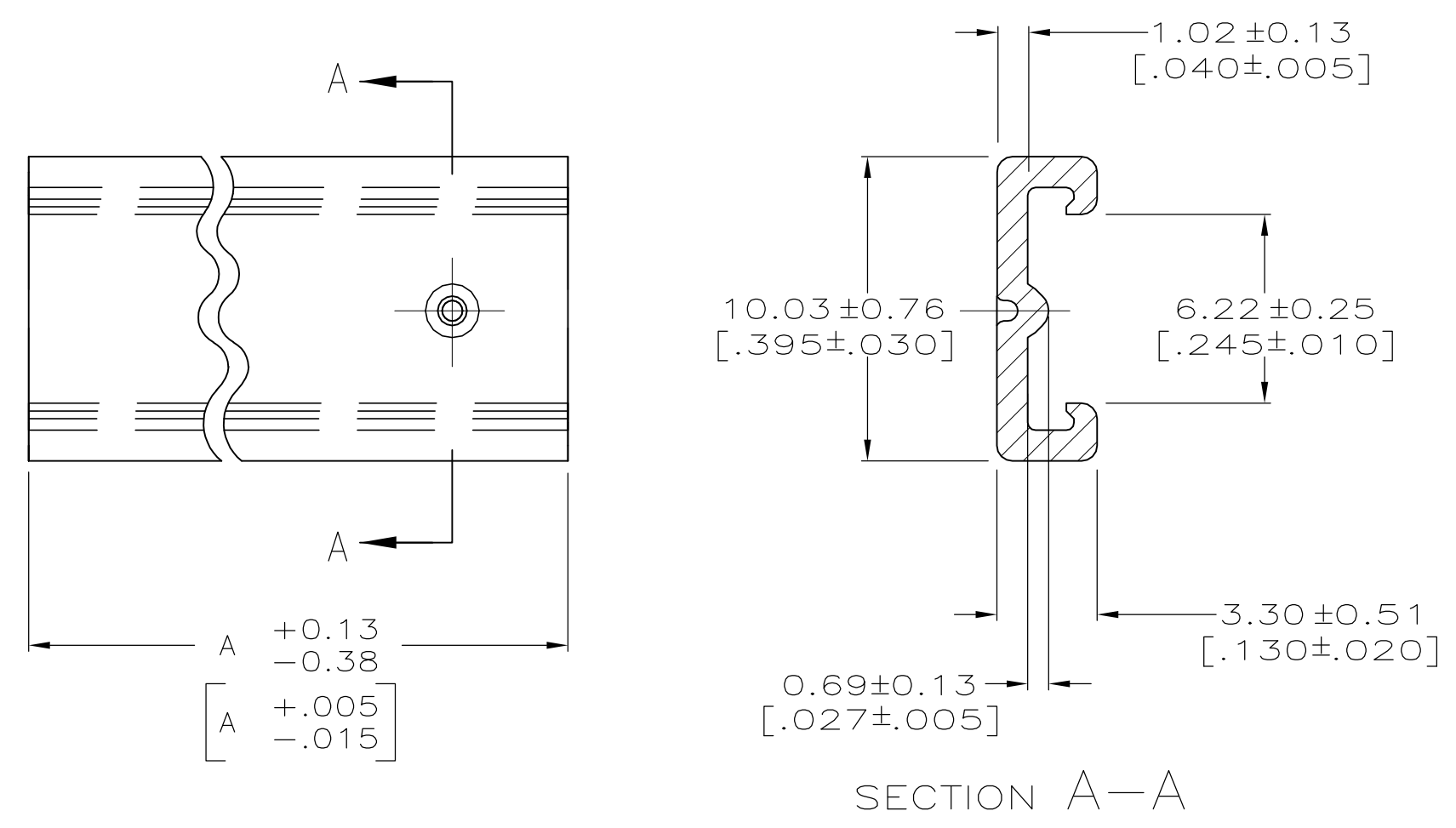


THIS DRAWING IS UNPUBLISHED. RELEASED FOR PUBLICATION  
 © COPYRIGHT - By - ALL RIGHTS RESERVED.

LOC	DIST	REVISIONS			
P	LTR	DESCRIPTION	DATE	OWN	APVD
CM	54	P1	REVISED PER ECO-11-004917	11MAR11	RK HMR

1. DIMENSIONS IN BRACKETS ARE IN INCHES.



3-DIMENSIONAL MODEL NTS

28	CIRCUIT ASSY	71.12	[2.800]	2-640642-8
27	CIRCUIT ASSY	68.58	[2.700]	2-640642-7
26	CIRCUIT ASSY	66.04	[2.600]	2-640642-6
25	CIRCUIT ASSY	63.50	[2.500]	2-640642-5
24	CIRCUIT ASSY	60.96	[2.400]	2-640642-4
23	CIRCUIT ASSY	58.42	[2.300]	2-640642-3
22	CIRCUIT ASSY	55.88	[2.200]	2-640642-2
21	CIRCUIT ASSY	53.34	[2.100]	2-640642-1
20	CIRCUIT ASSY	50.80	[2.000]	2-640642-0
19	CIRCUIT ASSY	48.26	[1.900]	1-640642-9
18	CIRCUIT ASSY	45.72	[1.800]	1-640642-8
17	CIRCUIT ASSY	43.18	[1.700]	1-640642-7
16	CIRCUIT ASSY	40.64	[1.600]	1-640642-6
15	CIRCUIT ASSY	38.10	[1.500]	1-640642-5
14	CIRCUIT ASSY	35.56	[1.400]	1-640642-4
13	CIRCUIT ASSY	33.02	[1.300]	1-640642-3
12	CIRCUIT ASSY	30.48	[1.200]	1-640642-2
11	CIRCUIT ASSY	27.94	[1.100]	1-640642-1
10	CIRCUIT ASSY	25.40	[1.000]	1-640642-0
9	CIRCUIT ASSY	22.86	[.900]	640642-9
8	CIRCUIT ASSY	20.32	[.800]	640642-8
7	CIRCUIT ASSY	17.78	[.700]	640642-7
6	CIRCUIT ASSY	15.24	[.600]	640642-6
5	CIRCUIT ASSY	12.70	[.500]	640642-5
4	CIRCUIT ASSY	10.16	[.400]	640642-4
3	CIRCUIT ASSY	7.62	[.300]	640642-3

USED ON MTA 100 CONNECTOR ASSEMBLY AS LISTED		A	PART NO
THIS DRAWING IS A CONTROLLED DOCUMENT.		DWN T. BECK 7-10-91	TE Connectivity COVER, FEEDTHRU, MTA-100
DIMENSIONS: MM[INCHES]		CHK R. SWING 7-10-91	
TOLERANCES UNLESS OTHERWISE SPECIFIED:		APVD T. WERT 7-10-91	
0 PLC ± - 1 PLC ± - 2 PLC ± - 3 PLC ± - 4 PLC ± - ANGLES ± ± - FINISH -		PRODUCT SPEC - APPLICATION SPEC - WEIGHT - CUSTOMER DRAWING	
MATERIAL POLYESTER, UL 94V-0 NATURAL		NAME SIZE CAGE CODE DRAWING NO A2 00779 G-640642	RESTRICTED TO - SCALE 5:1 SHEET 1 OF 1 REV P1

# Mouser Electronics

Authorized Distributor

Click to View Pricing, Inventory, Delivery & Lifecycle Information:

[TE Connectivity:](#)

[2-640642-2](#)