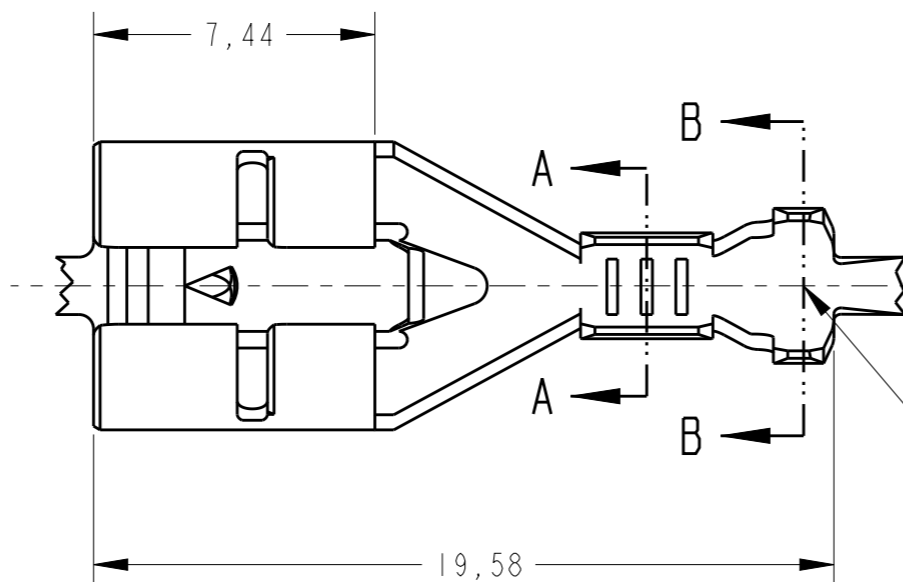


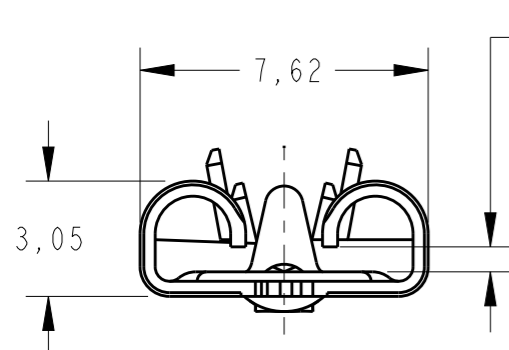
THIS DRAWING IS UNPUBLISHED. RELEASED FOR PUBLICATION  
 © COPYRIGHT 19 AMP ALL RIGHTS RESERVED.

LOC	DIST	REVISIONS			
P	LTR	DESCRIPTION	DATE	DWN	APVD
AP	-	C1	REV. BY ECO-11-009578	10MAY2011	HC WLS
		C2	REV. BY ECO 16-003728	11MAR2016	HC WLS

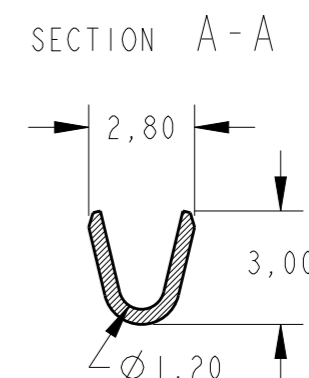
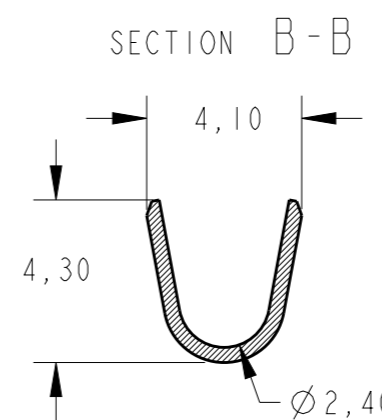
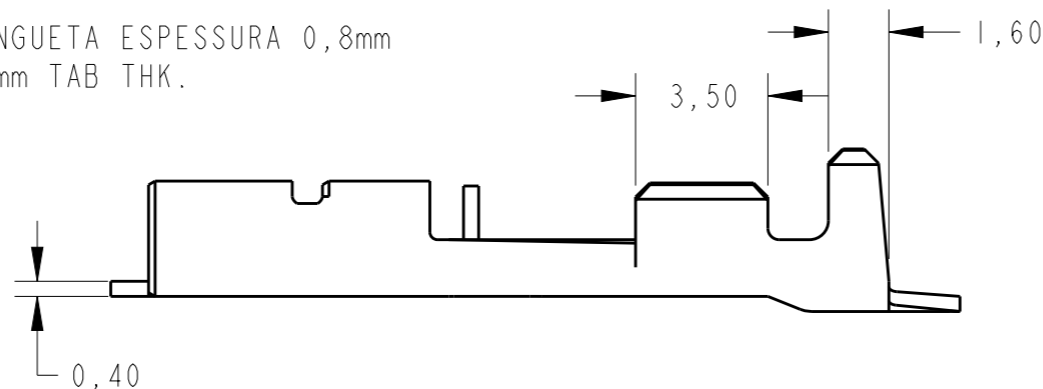


1- WIRE RANGE 0,5/1,0mm<sup>2</sup>  
 INSULATION DIA. RANGE Ø2,0/2,7mm.

LOGOTIPO E CODIGO DO PAÍS PRODUTOR  
 LOGO AND MANUFACTURING COUNTRY CODE.



PARA LINGUETA ESPESSURA 0,8mm  
 FOR 0,8mm TAB THK.



OBSOLETE	ESTANHIADO/TINNED	LATÃO/BRASS	1380088-2
	NU/NONE	LATÃO/BRASS	1380088-1
	FINISH	MATERIAL	PART NUMBER

THIS DRAWING IS A CONTROLLED DOCUMENT.		DWN H.C. CANTERI 09AUG00	<b>STE</b> TE Connectivity	
DIMENSIONS: mm		CHK W.L. STEFANI 09AUG00		
TOLERANCES UNLESS OTHERWISE SPECIFIED:		APVD - 09AUG00	NAME POSITIVE LOCK MKIII, L.I.F. .250 SERIES RECEPT.	
0 PLC ±-	1 PLC ±-	PRODUCT SPEC -	SIZE A3	
2 PLC ±0,25	3 PLC ±-	APPLICATION SPEC -	CAGE CODE 00779	DRAWING NO C=1380088
4 PLC ±-	ANGLES ±1°	WEIGHT -	RESTRICTED TO -	
MATERIAL SEE TABLE	FINISH SEE TABLE	Customer Drawing	SCALE 5/1	SHEET 1 OF 1
			REV C2	

# Mouser Electronics

Authorized Distributor

Click to View Pricing, Inventory, Delivery & Lifecycle Information:

[TE Connectivity:](#)

[1380088-1](#)