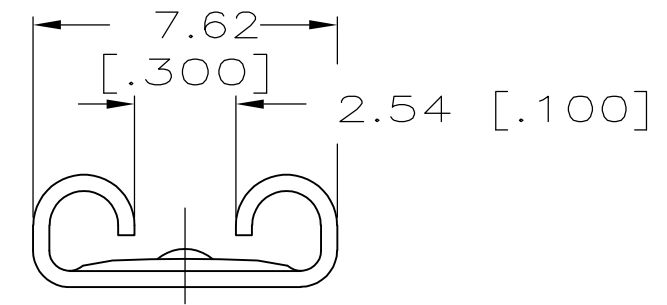
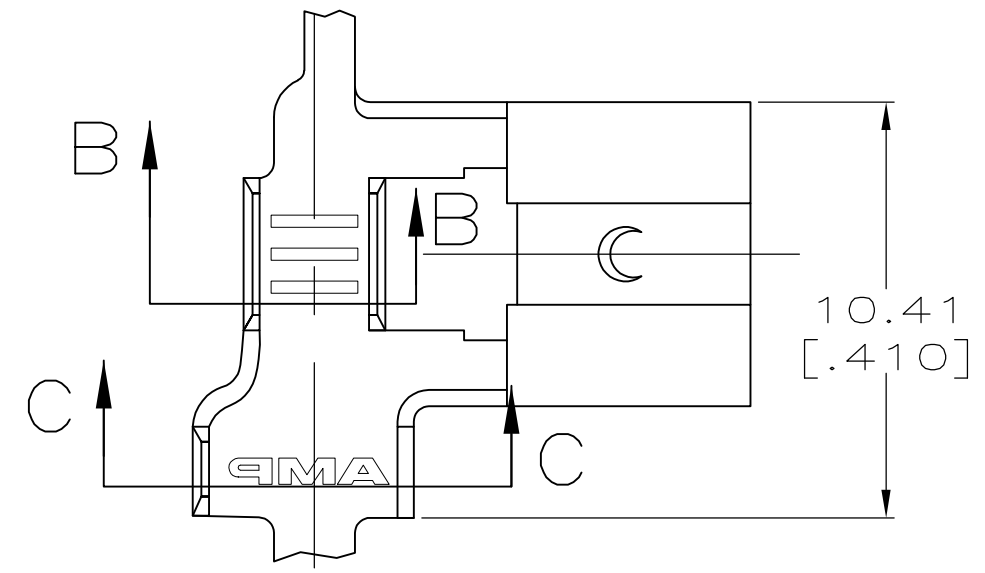


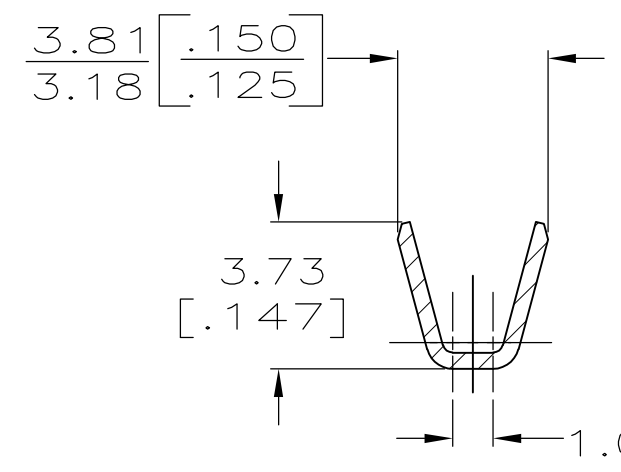
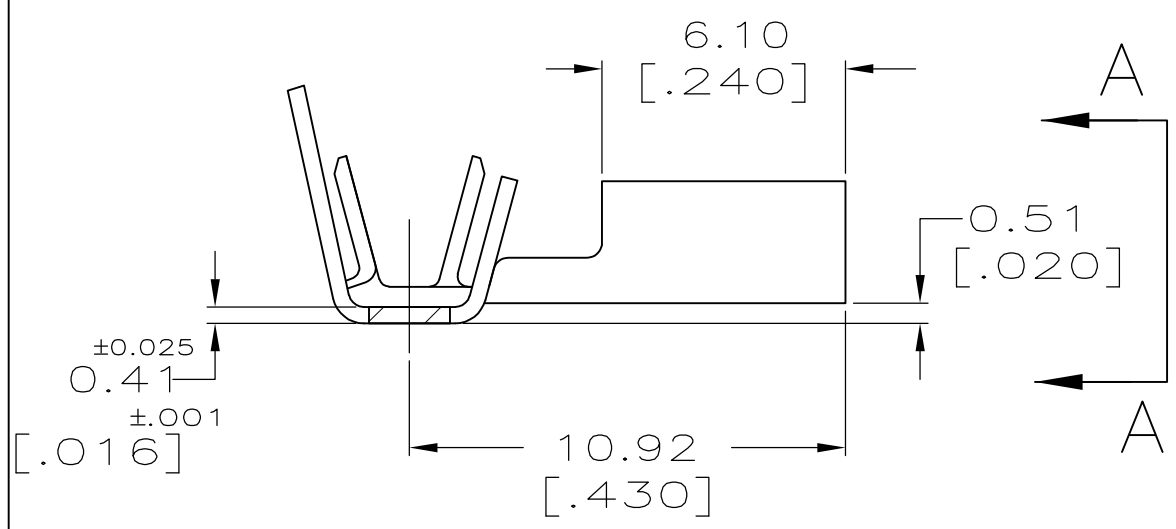
THIS DRAWING IS UNPUBLISHED. RELEASED FOR PUBLICATION
 © COPYRIGHT - By - ALL RIGHTS RESERVED.

LOC	DIST	REVISIONS					
		P	LTR	DESCRIPTION	DATE	DWN	APVD
AF	50		N	REVISED PER ECR-12-013459	26DEC2012	KH	PD

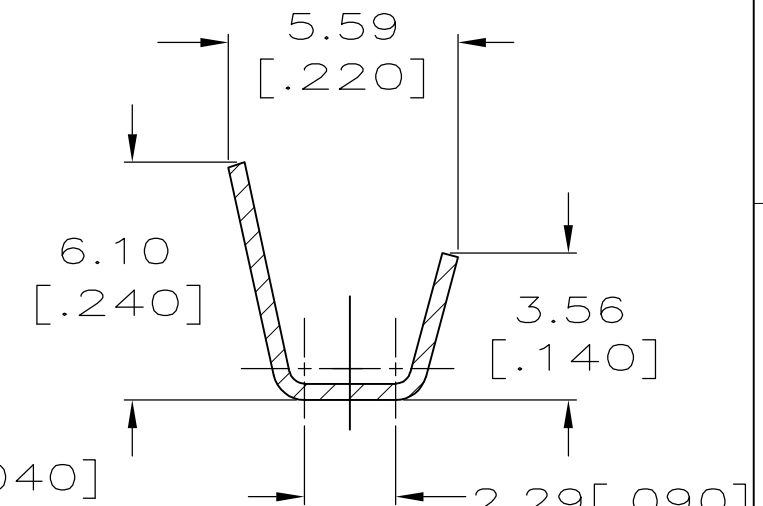


VIEW A-A

- 1 CONTINUOUS STRIP ON REELS.
- 2 WIRE SIZE IS 0.6-2.0mm [18-14] AWG.
- 3 INSULATION RANGE IS 2.79-4.06 [.110-.160] DIA.
- 4 MATING TAB THK IS 0.81±0.025 [.032±.001].
- △ 5 SPECIAL PACKAGING QUANTITY



SECTION B-B



SECTION C-C

OBSOLETE	.000080 MIN TIN	△ 5 63012-3
	TIN	63012-2
	-	63012-1
	PLATING	PART NO.

THIS DRAWING IS A CONTROLLED DOCUMENT.		DWN	JR RUTH	4/8/91	STE TE Connectivity		
DIMENSIONS: mm [INCHES]		CHK	MS FEHER	4/8/91			
TOLERANCES UNLESS OTHERWISE SPECIFIED:		APVD	C MEYERS	4/8/91	NAME		
0 PLC ± -		PRODUCT SPEC		RECEPTACLE, FASTON, FLAG, 6.35 [.250] SERIES			
1 PLC ± -		APPLICATION SPEC		SIZE	CAGE CODE	DRAWING NO	RESTRICTED TO
2 PLC ± -		MATERIAL		A300779		C-63012	-
3 PLC ± 0.38 [.015]		FINISH		CUSTOMER DRAWING		SCALE	SHEET
4 PLC ± -		SEE TABLE		SCALE		5:1	1 OF 1
ANGLES ± -				SHEET		1 OF 1	REV
				REV		N	

Mouser Electronics

Authorized Distributor

Click to View Pricing, Inventory, Delivery & Lifecycle Information:

[TE Connectivity:](#)

[63012-1](#)