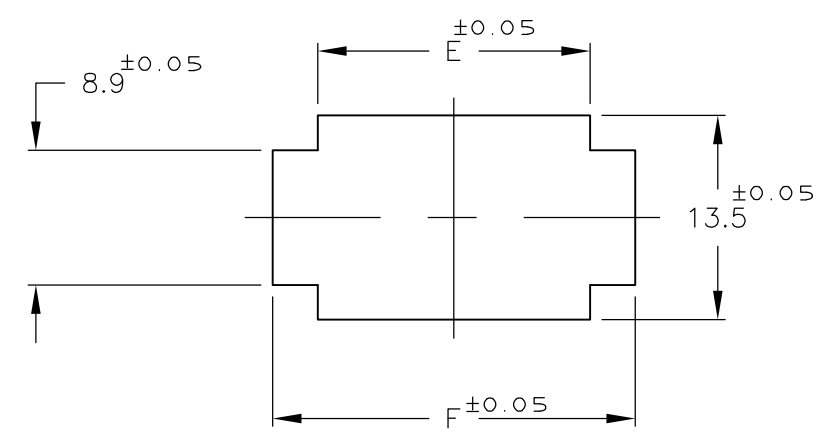


THIS DRAWING IS UNPUBLISHED. RELEASED FOR PUBLICATION
 © COPYRIGHT 2014 Tyco Electronics Japan G.K. ALL RIGHTS RESERVED.

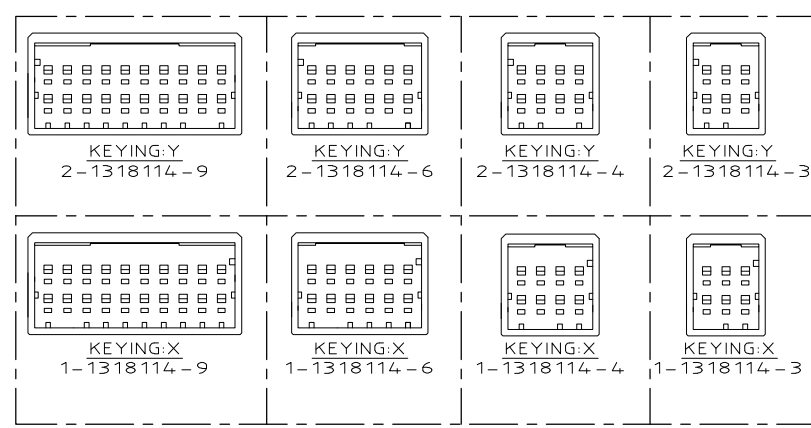
LOC	DIST	REVISIONS			
P	LTR	DESCRIPTION	DATE	DWN	APVD
J	ZDI	B	REVISED	06JUN2014	H.O N.Y

- 注記
- 材料：ハウジング：ガラス入り熱可塑性ポリエステル（94V-0），色：黒
 - 金属パネルの場合、コネクタ取付け方向をパンチ加工方向にしてください。
 - プラスチックパネルの場合、穴端部にRなき様ご配慮ください。
 - ~~ハウジング全面にテフロン塗装の事。~~

- NOTES
- MATERIAL:HOUSING:GLASS FILED THERMO PLASTIC ,POLYESTER(94V-0),COLOR:BLACK
 - INSERT CONN FROM PRESS DIRECTION SIDE FOR METAL PANEL.
 - EDGE OF THICKNESS WAY MUST NOT ROUND FOR MOLDED PANEL.
 - ~~TO COAT ALL SURFACE OF HOUSING WITH TEFLON.~~



パネル加工推奨寸法図
 RECOMMENDED PANEL LAYOUT
 (適用パネル厚：0.8-2.0)
 (APPLICABLE PANEL THICKNESS:0.8-2.0)

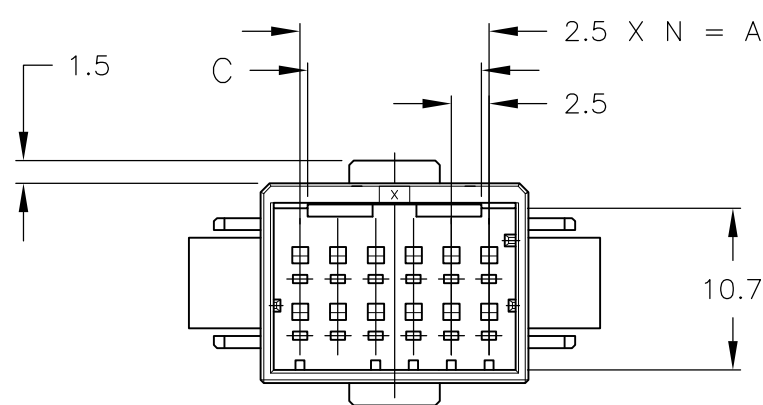
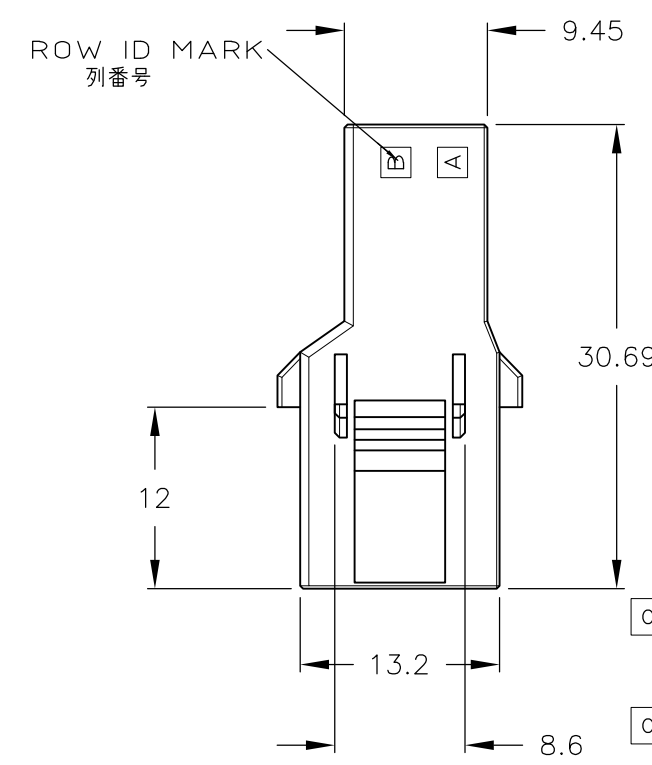
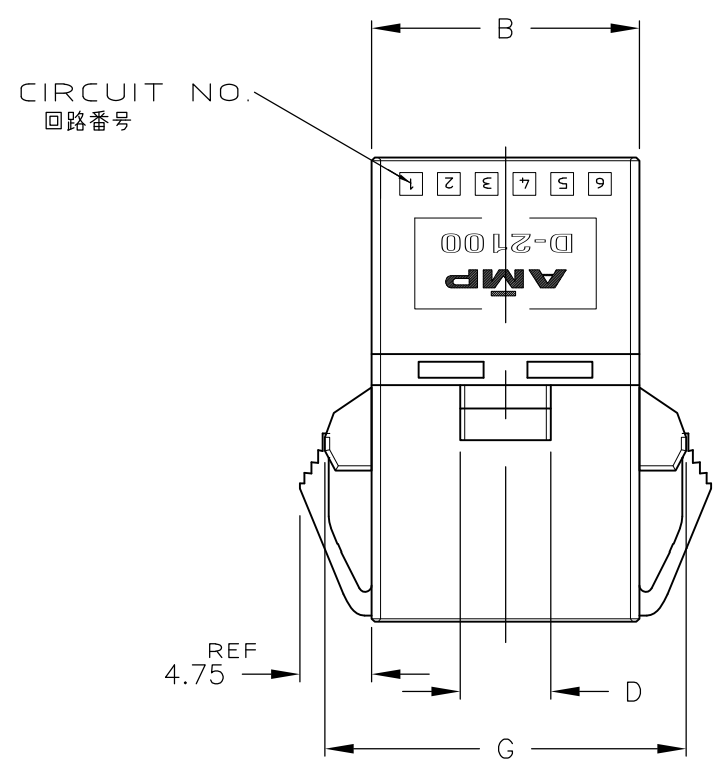
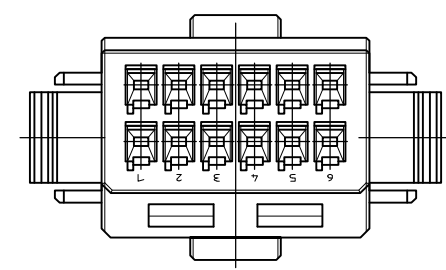


TOLERANCES UNLESS OTHERWISE SPECIFIED:

一般公差

30	10	±0.3
100	>10	±0.35
	>30	±0.4
	ANGLE	±3°

OBSOLETE	△	22.5	27.7	11.5	6	28	34.0	33.88	9	20	5-1318114-9
	-	22.5	27.7	11.5	6	28	34.0	33.88	9	20	2-1318114-9
	-	22.5	27.7	11.5	6	28	34.0	33.88	9	20	1-1318114-9
OBSOLETE	△	12.5	17.7	11.5	6	18	24.0	23.88	5	12	5-1318114-6
	-	12.5	17.7	11.5	6	18	24.0	23.88	5	12	2-1318114-6
	-	12.5	17.7	11.5	6	18	24.0	23.88	5	12	1-1318114-6
OBSOLETE	△	7.5	12.7	4	4	13	19.0	18.88	3	8	5-1318114-4
	-	7.5	12.7	4	4	13	19.0	18.88	3	8	2-1318114-4
	-	7.5	12.7	4	4	13	19.0	18.88	3	8	1-1318114-4
OBSOLETE	△	5	10.2	4	4	10.5	16.5	16.38	2	6	5-1318114-3
	-	5	10.2	4	4	10.5	16.5	16.38	2	6	2-1318114-3
	-	5	10.2	4	4	10.5	16.5	16.38	2	6	1-1318114-3
FINISH		A	B	C	D	E	F	G	N	POS	P/N



THIS DRAWING IS A CONTROLLED DOCUMENT.

DWN K.IKEDA 7/DEV/'98
 CHK N.MATSUBARA 7/DEC/'98
 APVD I.HASEGAWA 7/DECC/'98

STE TE Connectivity

2列 タブ ハウジング パネルマウント タイプ
 DOUBLE ROW TAB (PANEL MOUNT)
 DYNAMIC D2100D

108-5619
 APPLICATION SPEC
 114-5258
 WEIGHT -

SIZE A3 CAGE CODE 00779 DRAWING NO. C-1318114 RESTRICTED TO -

CUSTOMER DRAWING SCALE 2:1 SHEET 1 OF 1 REV B

Mouser Electronics

Authorized Distributor

Click to View Pricing, Inventory, Delivery & Lifecycle Information:

[TE Connectivity:](#)

[1-1318114-9](#)