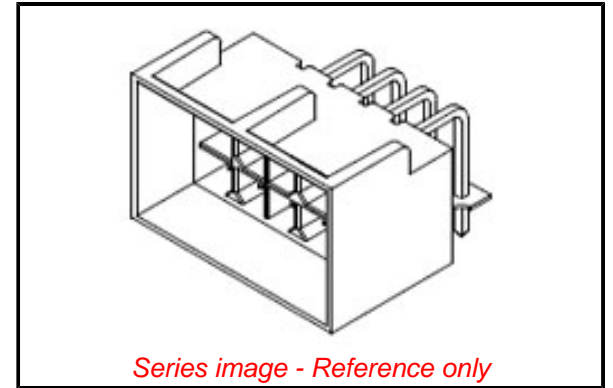


PLEASE CHECK WWW.MOLEX.COM FOR LATEST PART INFORMATION

Part Number: [0444281806](#)
Status: **Active**
Overview: [Micro-Fit Connector System](#)
Description: Micro-Fit BMI Header, Surface Mount Compatible, Dual Row, Right-Angle, without Snap-in Plastic Peg PCB Lock, 18 Circuits, 0.76µm Gold (Au) Selective Plating

Documents:

3D Model	Packaging Specification PK-44428-001-001 (PDF)
3D Model (PDF)	Test Summary 444280001-TS-000 (PDF)
Drawing (PDF)	RoHS Certificate of Compliance (PDF)
Product Specification PS-44300-001-001 (PDF)	Product Literature (PDF)



Agency Certification

CSA	LR19980
UL	E29179

General

Product Family	PCB Headers
Series	44428
Application	Board-to-Board, Power, Wire-to-Board
Comments	High Temperature Square Pin Solder Type Polarized to Mating Part
Overview	Micro-Fit Connector System
Product Name	Micro-Fit BMI
UPC	756054349618

Physical

Breakaway	No
Circuits (Loaded)	18
Circuits (maximum)	18
Color - Resin	Black
Durability (mating cycles max)	30
First Mate / Last Break	No
Flammability	94V-0
Glow-Wire Capable	No
Guide to Mating Part	No
Keying to Mating Part	None
Lock to Mating Part	Yes
Material - Metal	Brass
Material - Plating Mating	Gold
Material - Plating Termination	Tin
Material - Resin	High Temperature Thermoplastic
Net Weight	3.710/g
Number of Rows	2
Orientation	Right Angle
PC Tail Length	3.50mm
PCB Locator	Yes
PCB Retention	None
PCB Thickness - Recommended	1.60mm
Packaging Type	Tray
Pitch - Mating Interface	3.00mm
Plating min - Mating	0.762µm
Plating min - Termination	2.540µm
Polarized to PCB	Yes
Shrouded	Fully
Stackable	No
Surface Mount Compatible (SMC)	Yes

EU ELV

Not Relevant

EU RoHS

Compliant

REACH SVHC

Not Contained Per -
ECHA_01_2020 (16
January 2020

Halogen-Free

Status

Not Low-Halogen

For more information, please visit [Contact US](#)

China ROHS

ELV

RoHS Phthalates

China RoHS

Green Image

Not Relevant

Not Contained

Search Parts in this Series

[44428](#) Series

Mates With

[44133](#) Micro-Fit BMI Panel Mount Receptacle Housing, [44764](#) Micro-Fit BMI Receptacle Header, [44769](#) Micro-Fit BMI Receptacle Header

Temperature Range - Operating	-40° to +105°C
Termination Interface: Style	Through Hole

Electrical

Current - Maximum per Contact	8.5A
Voltage - Maximum	600V

Solder Process Data

Duration at Max. Process Temperature (seconds)	005
Lead-free Process Capability	WAVE
Max. Cycles at Max. Process Temperature	001
Process Temperature max. C	260

Material Info**Reference - Drawing Numbers**

Packaging Specification	PK-44428-001-001
Product Specification	PS-44300-001-001
Sales Drawing	SD-44428-001
Symbol/Footprint Data	SYM-44428-1804_6
Test Summary	444280001-TS-000

This document was generated on 04/20/2020

PLEASE CHECK WWW.MOLEX.COM FOR LATEST PART INFORMATION

Mouser Electronics

Authorized Distributor

Click to View Pricing, Inventory, Delivery & Lifecycle Information:

[Molex:](#)

[44428-1806](#)