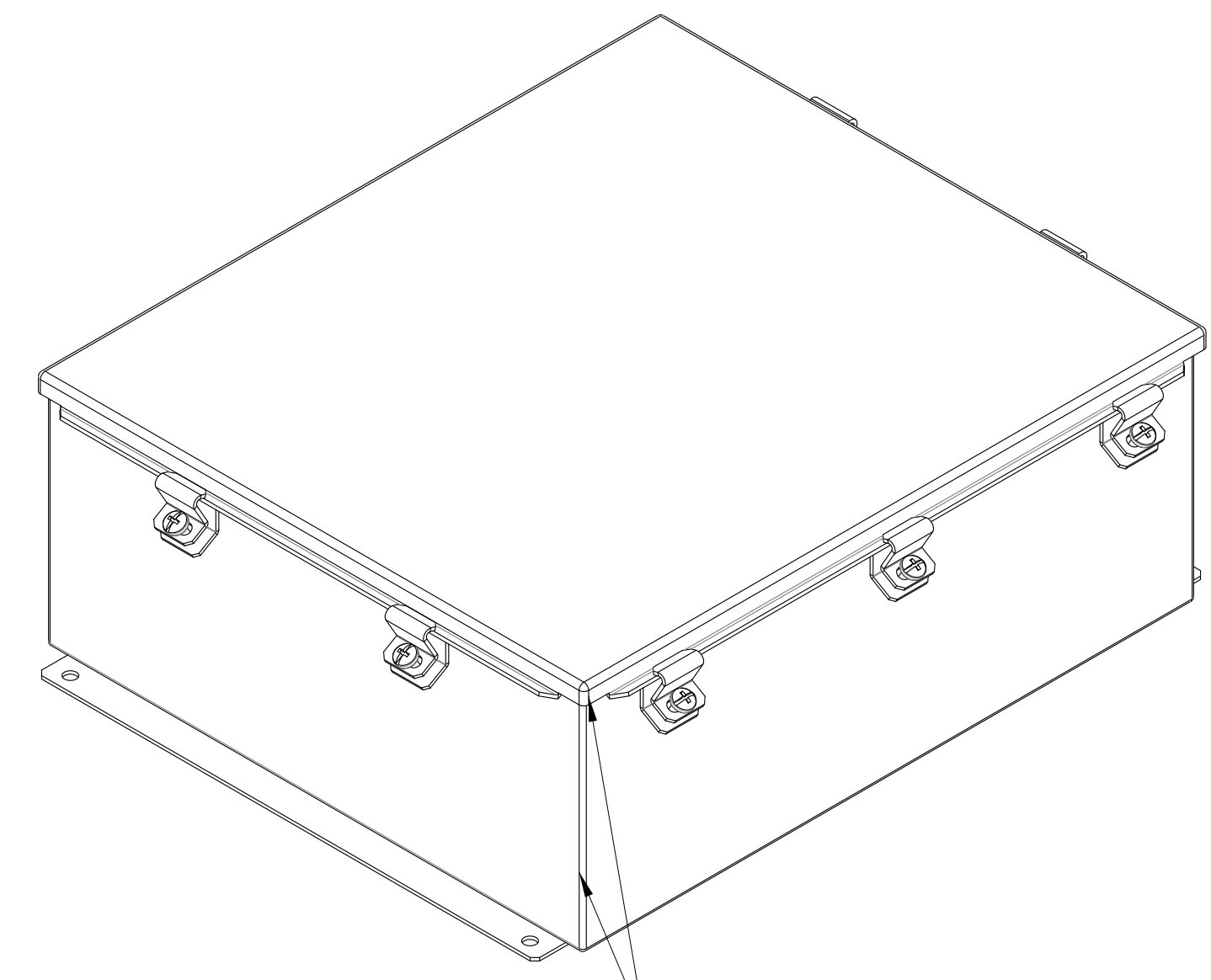
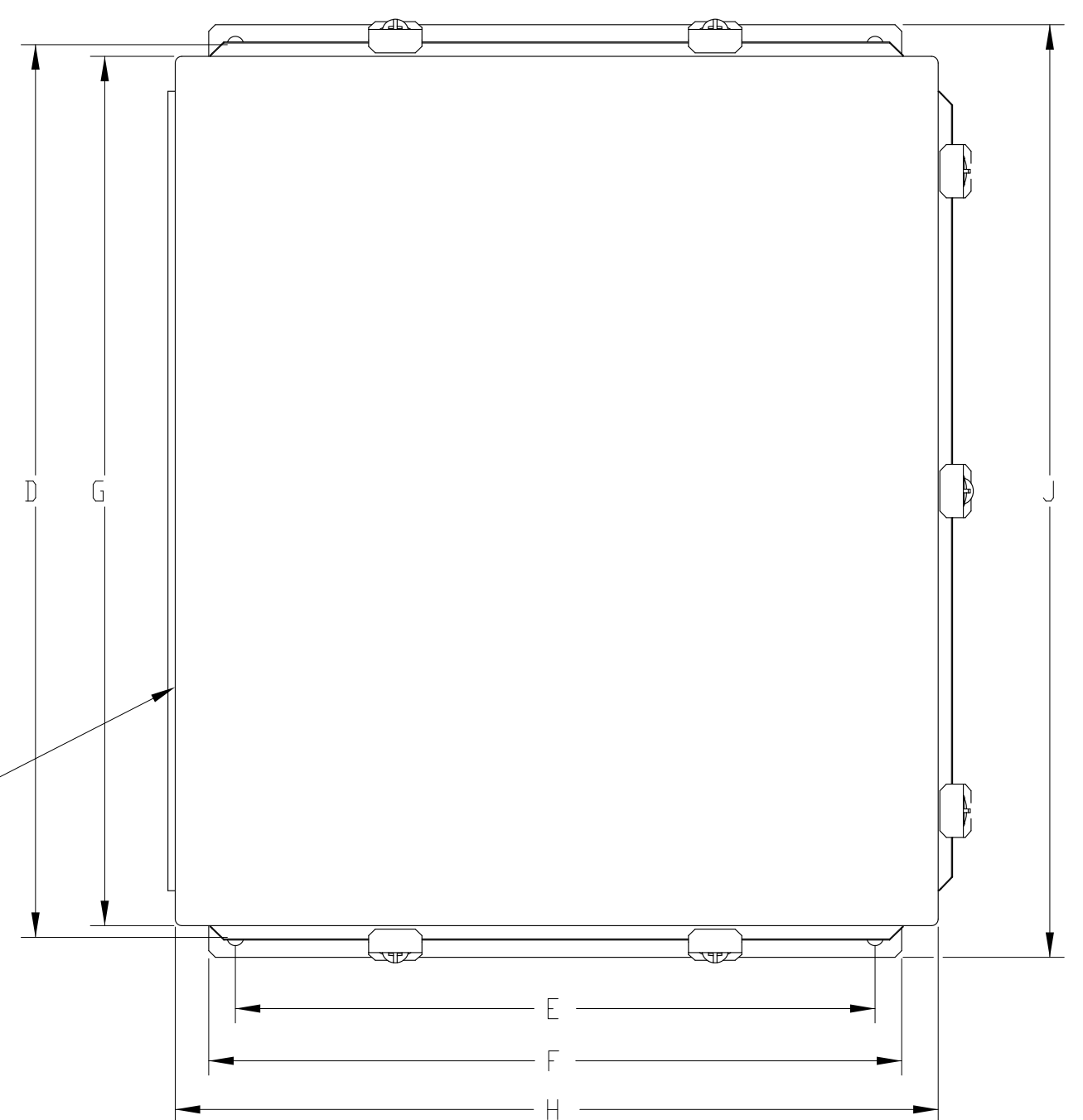


THE INFORMATION CONTAINED IN THIS DRAWING IS THE SOLE PROPERTY OF BUD INDUSTRIES, INC. ANY REPRODUCTION IN PART OR WHOLE WITHOUT THE WRITTEN PERMISSION OF BUD INDUSTRIES, INC. IS PROHIBITED.

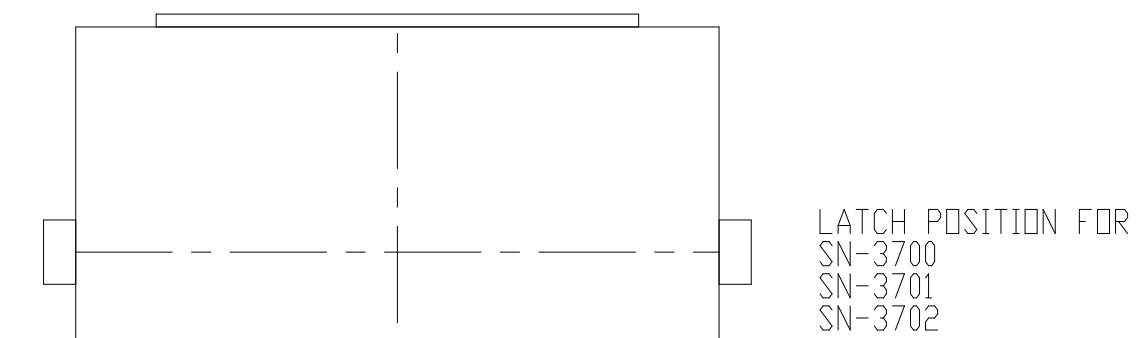
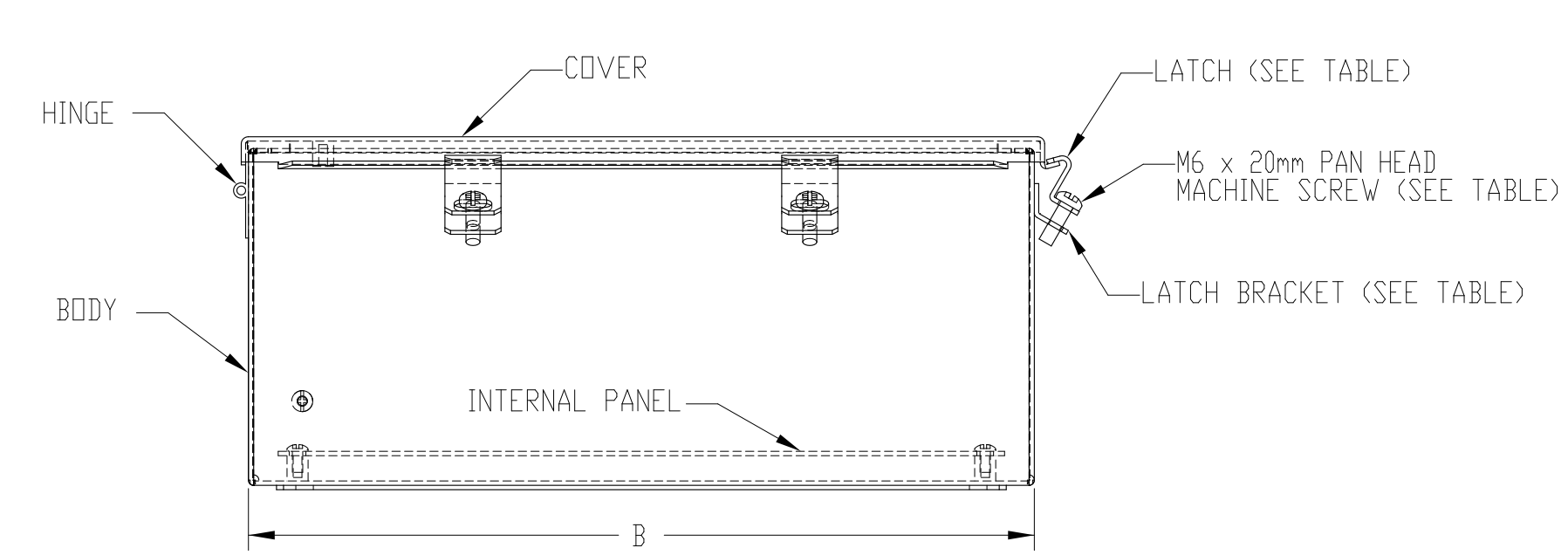
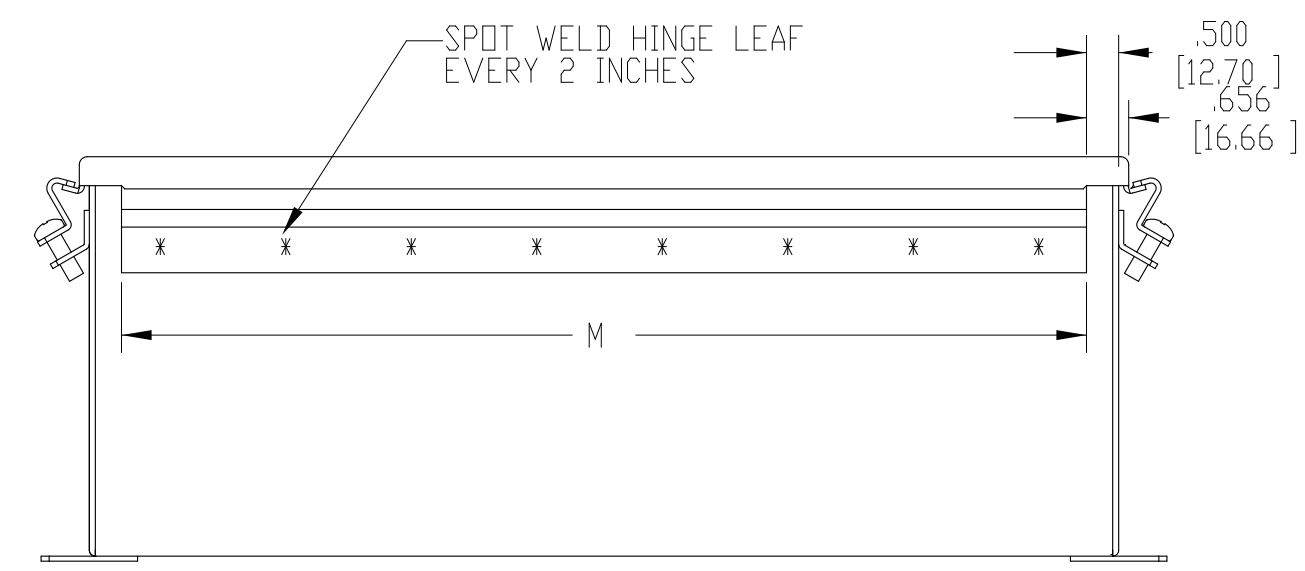


TEST ALL CORNER WELDS TO VERIFY CONTINUOUS SEAM WELD QUALITY

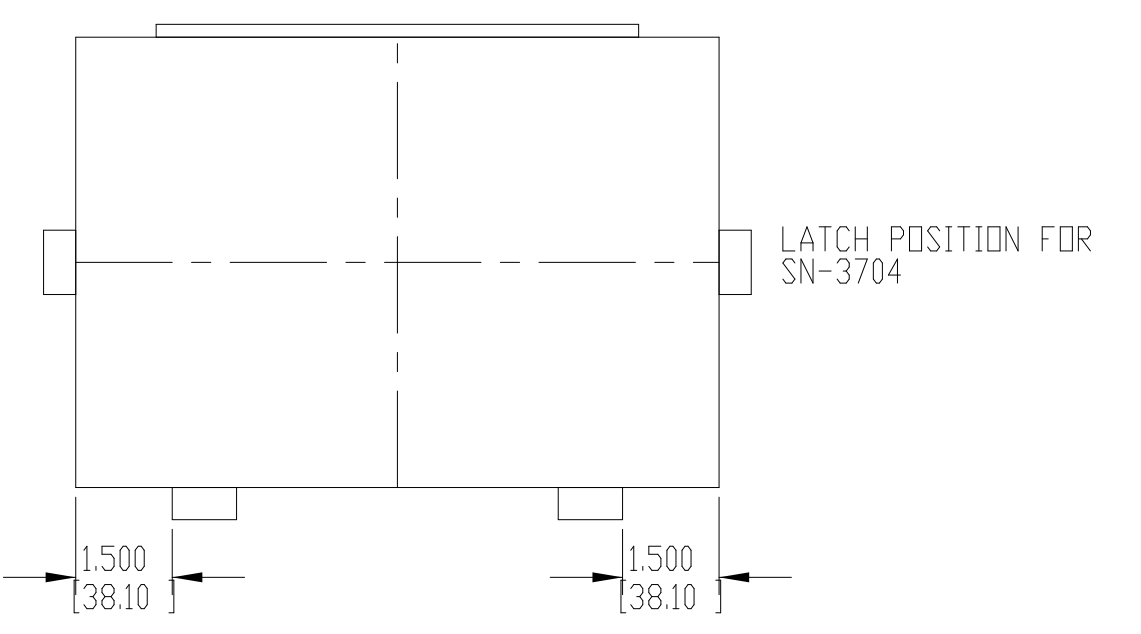
F



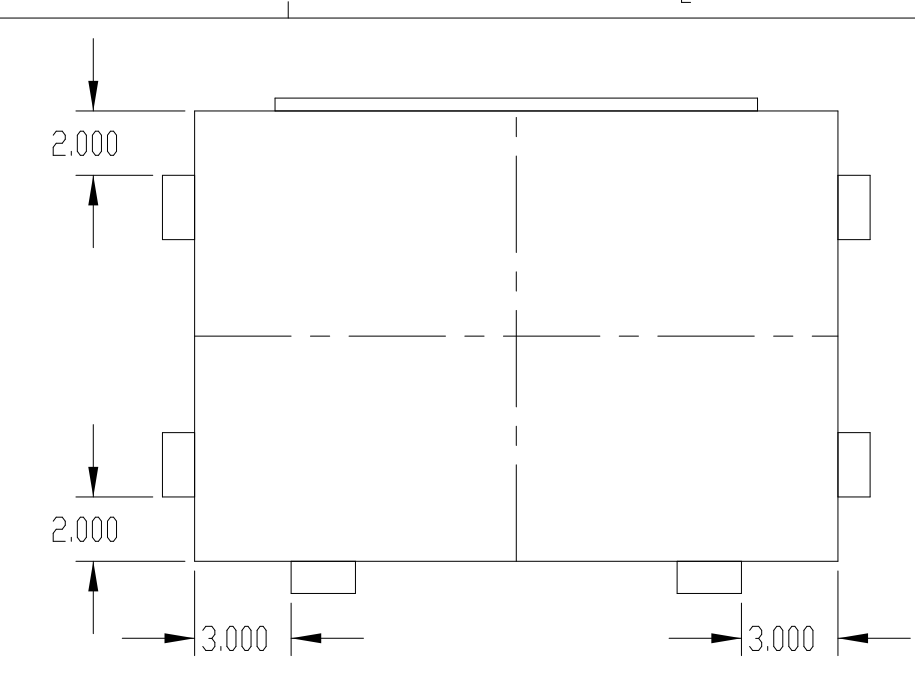
HINGE SIDE



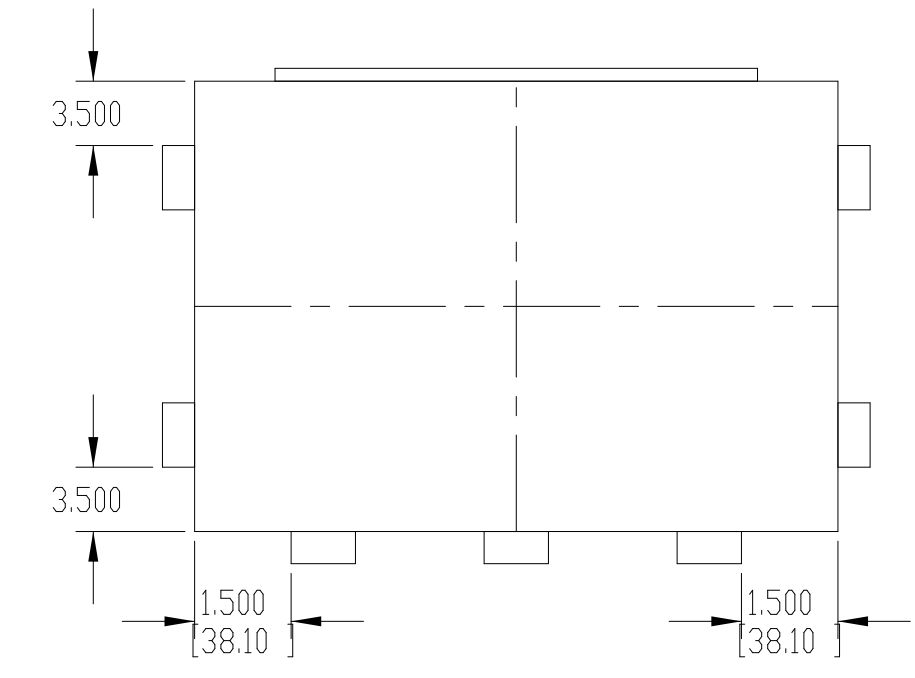
LATCH POSITION FOR SN-3700 SN-3701 SN-3702



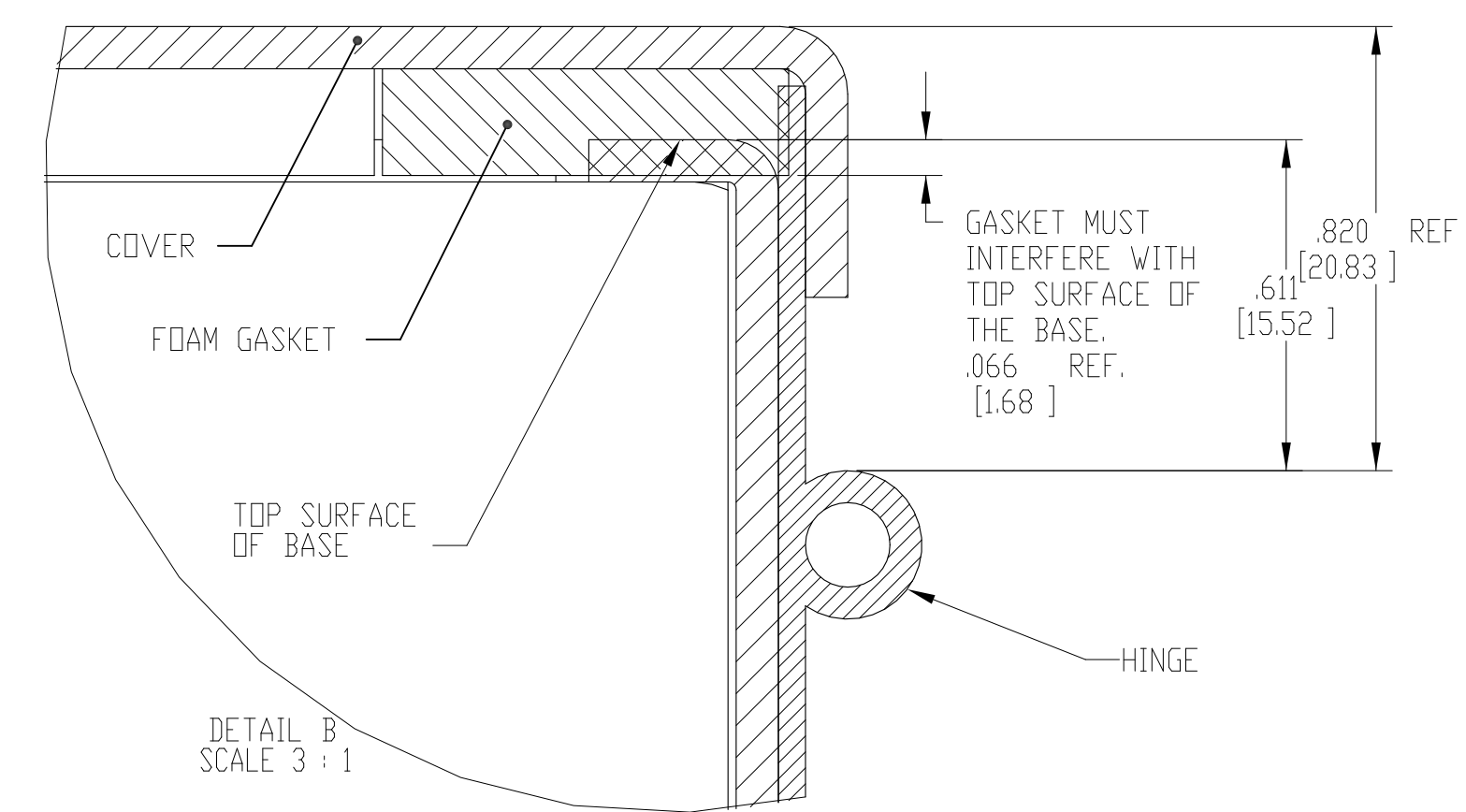
LATCH POSITION FOR SN-3704



LATCH POSITION FOR SN-3703 SN-3705 SN-3706 SN-3708

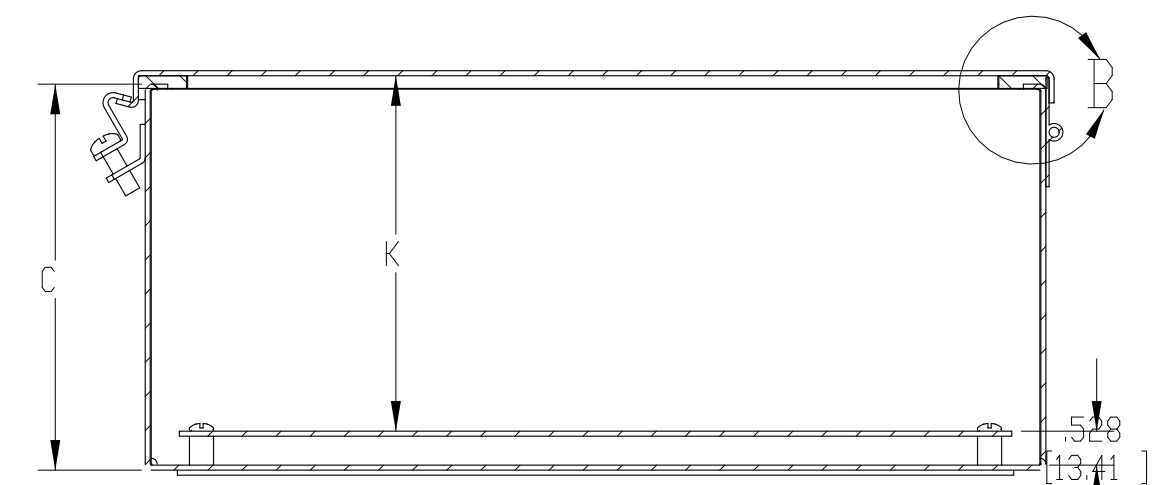
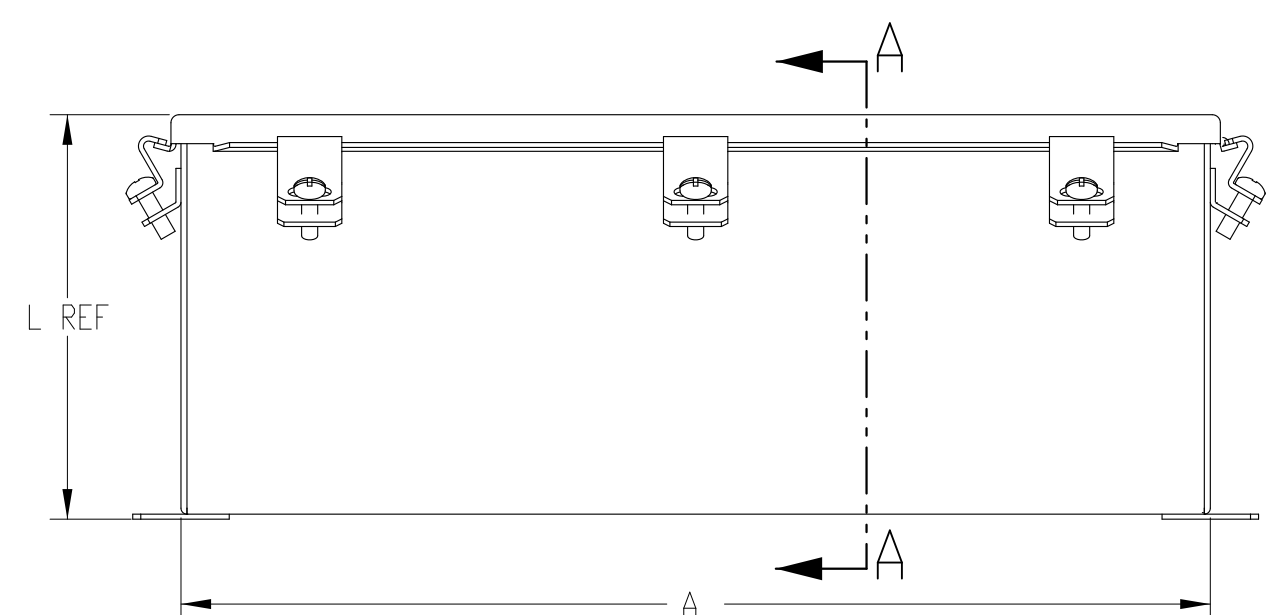


LATCH POSITION FOR SN-3707 SN-3709



DETAIL B SCALE 3 : 1

GASKET MUST INTERFERE WITH TOP SURFACE OF THE BASE. .820 REF [20.83] .61 [15.52] .066 REF [1.68]



SECTION A-A

G

PART #	A	B	C	D	E	F	G	H	J	K	L	M	PANEL SIZE	# OF BRACKETS, SCREWS/LATCHES
SN-3700	8.00[152.4]	4.00[101.6]	3.00[76.2]	8.75[171.5]	2.00[50.8]	3.00[76.2]	6.31[160.2]	4.31[109.5]	7.50[190.5]	2.52[64]	3.25[82.6]	5[127]	4.90 X 2.90	3
SN-3701	8.00[203.2]	6.00[152.4]	3.50[88.9]	8.75[222.3]	4.00[101.6]	5.00[127]	8.31[211.1]	6.31[160.3]	9.50[241.3]	3.02[76.7]	3.75[96.3]	7[179]	6.90 X 4.90	3
SN-3702	8.00[152.4]	6.00[152.4]	4.00[101.6]	8.75[171.5]	4.00[101.6]	5.00[127]	6.31[160.2]	6.31[160.3]	7.50[190.5]	3.52[89.4]	4.25[108]	5[127]	4.90 X 4.90	3
SN-3703	12.00[304.8]	10.00[254]	5.00[127]	12.75[323.9]	8.00[203.2]	9.00[228.6]	12.31[312.7]	10.31[261.9]	13.50[342.9]	4.52[114.8]	5.25[133.4]	11[279.4]	10.90 X 8.90	6
SN-3704	10.00[254]	8.00[203.2]	6.00[152.4]	10.75[273]	6.00[152.4]	7.00[177.8]	10.31[261.9]	8.31[211.1]	11.50[292.1]	5.52[140.2]	6.25[158.8]	9[228.6]	8.90 X 6.90	4
SN-3705	12.00[304.8]	12.00[304.8]	6.00[152.4]	12.75[323.9]	10.00[254]	11.00[279.4]	12.31[312.7]	12.31[312.7]	13.50[342.9]	5.52[140.2]	6.25[158.8]	11[279.4]	10.90 X 10.90	6
SN-3706	14.00[355.6]	12.00[304.8]	6.00[152.4]	14.75[374.6]	10.00[254]	11.00[279.4]	14.31[363.5]	12.31[312.7]	15.50[393.7]	5.52[140.2]	6.25[158.8]	13[330.2]	12.90 X 10.90	6
SN-3707	16.00[406.4]	14.00[355.6]	6.00[152.4]	16.75[425.5]	12.00[304.8]	13.00[330.2]	16.31[414.3]	14.31[363.5]	17.5[444.5]	5.52[140.2]	6.25[158.8]	15[381]	14.90 X 12.90	7
SN-3708	14.00[355.6]	12.00[304.8]	8.00[203.2]	14.75[374.6]	10.00[254]	11.00[279.4]	14.31[363.5]	12.31[312.7]	15.50[393.7]	7.52[191]	8.25[209.6]	13[330.2]	12.90 X 10.90	6
SN-3709	16.00[406.4]	14.00[355.6]	10.00[254]	16.75[425.5]	12.00[304.8]	13.00[330.2]	16.31[414.3]	14.31[363.5]	17.50[444.7]	9.52[241.8]	10.25[260.4]	15[381]	14.90 X 12.90	7

MATERIAL:
 BODY, MOUNTING BRACKETS, COVER & INTERNAL PANEL - 14 GA. STEEL
 LATCHES - 14 GA. STAINLESS STEEL
 LATCH BRACKETS - 18 GA. STAINLESS STEEL
 CONTINUOUS HINGE - 18 GA. STEEL WITH Ø .125 STEEL PIN
 GASKET - ROGERS CORPORATION PORDN 4701-41-15250 3M 9832
 CLOSED CELL URETHANE FOAM WITH ADHESIVE ON ONE SIDE.
 SCREWS - STAINLESS STEEL

FINISH:
 ENCLOSURE, INTERNAL PANEL - SMOOTH GRAY POWDERCOAT
 DUPONT POWDER COATINGS PART NO. PFH-502-S8 DR EQUIVALENT
 UL TYPE DTV2 COATING TO BE APPLIED AND BAKED AT 8-10 MIN.
 AT 400°F. TO A MINIMUM DRY FILM THICKNESS OF 1.5 MILS (0.0015 IN.)
 LATCHES & SCREWS - NATURAL

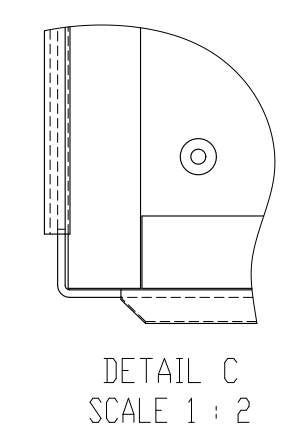
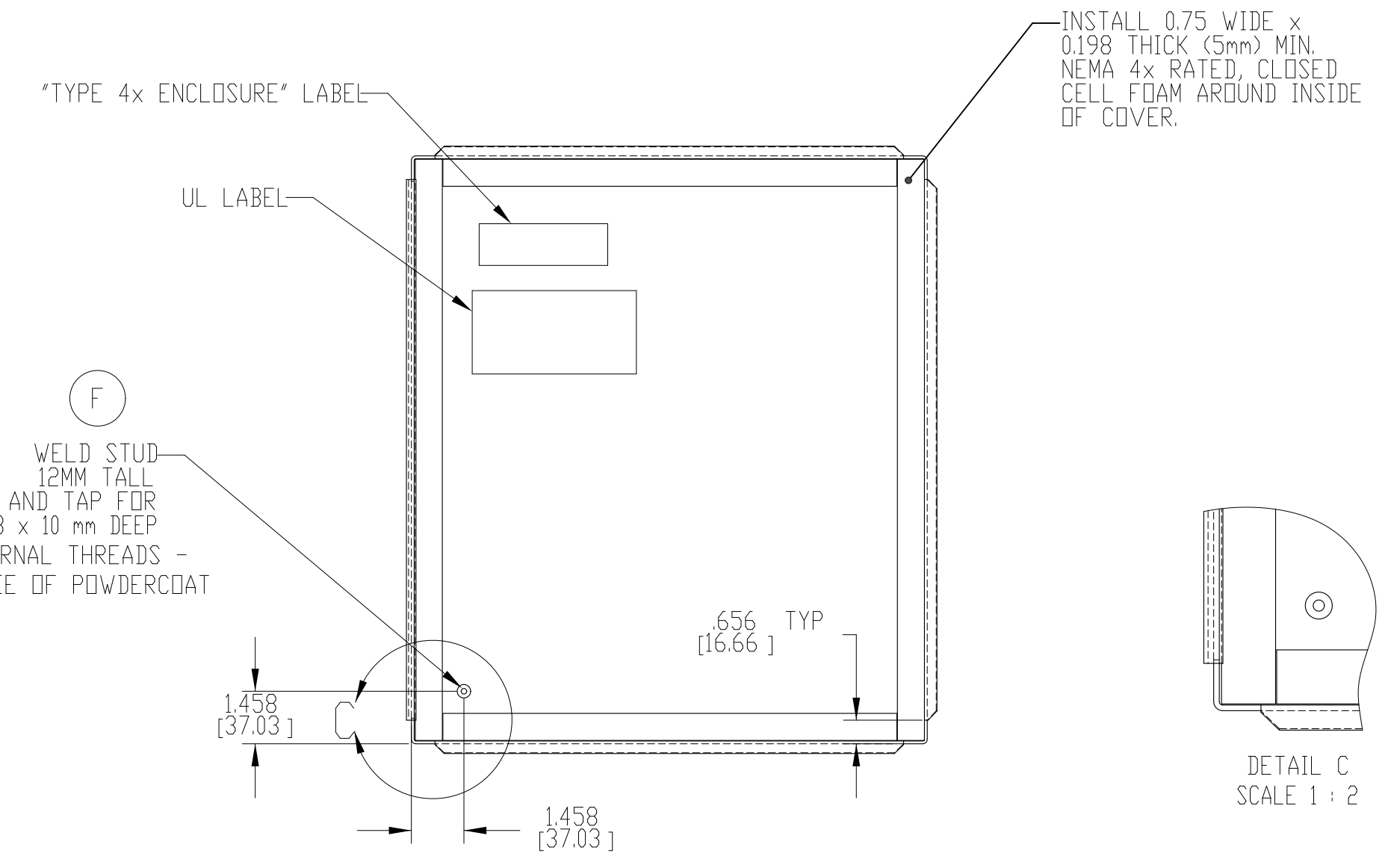
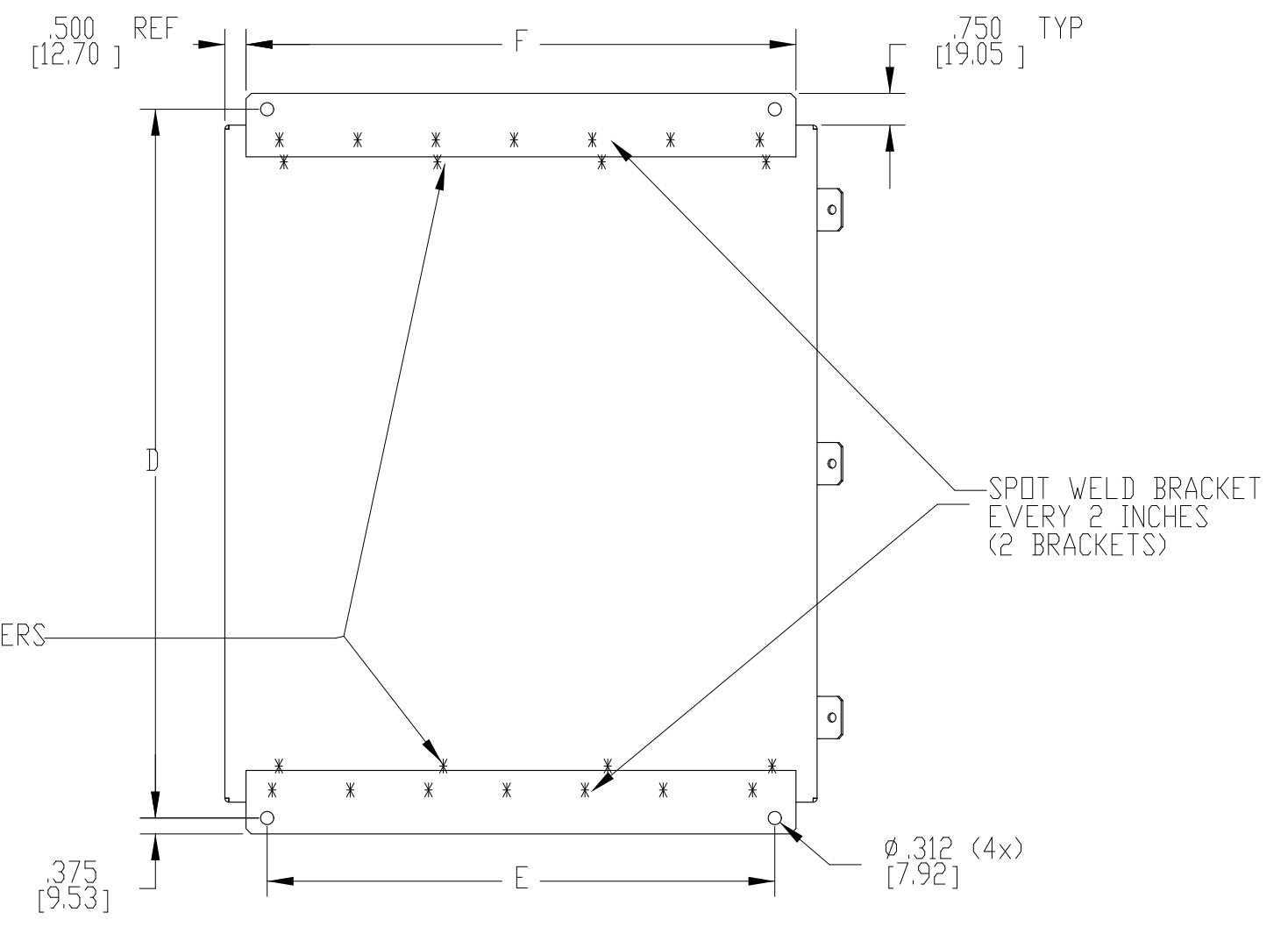
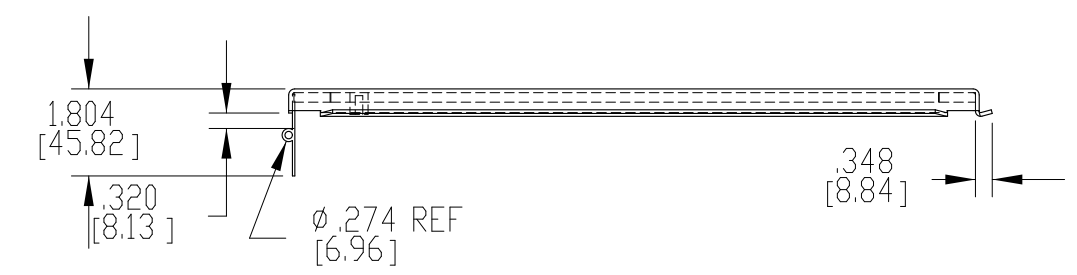
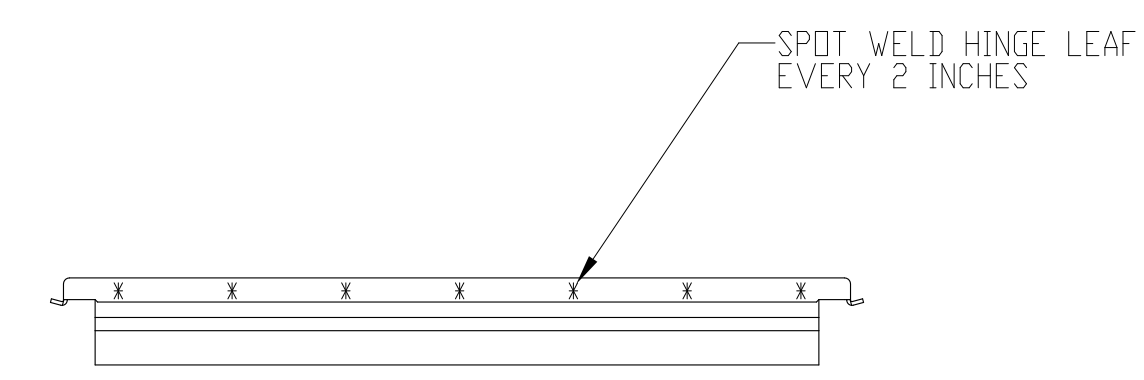
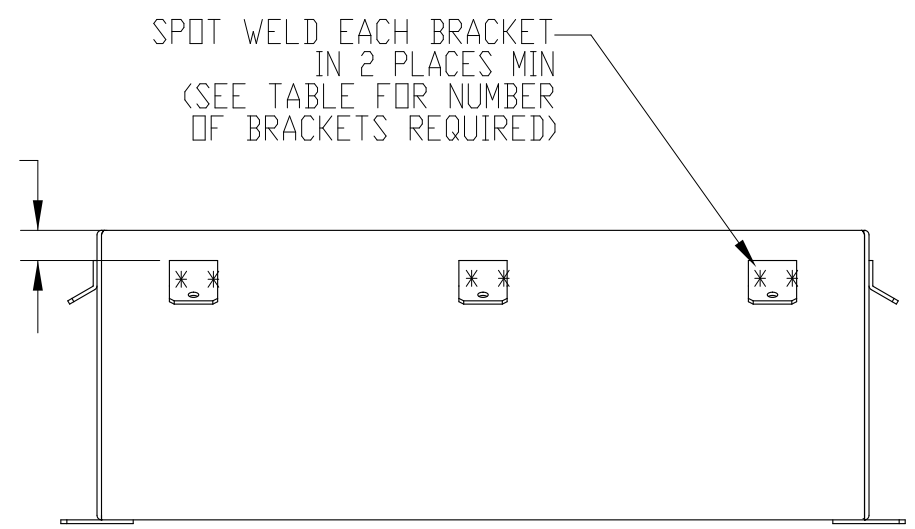
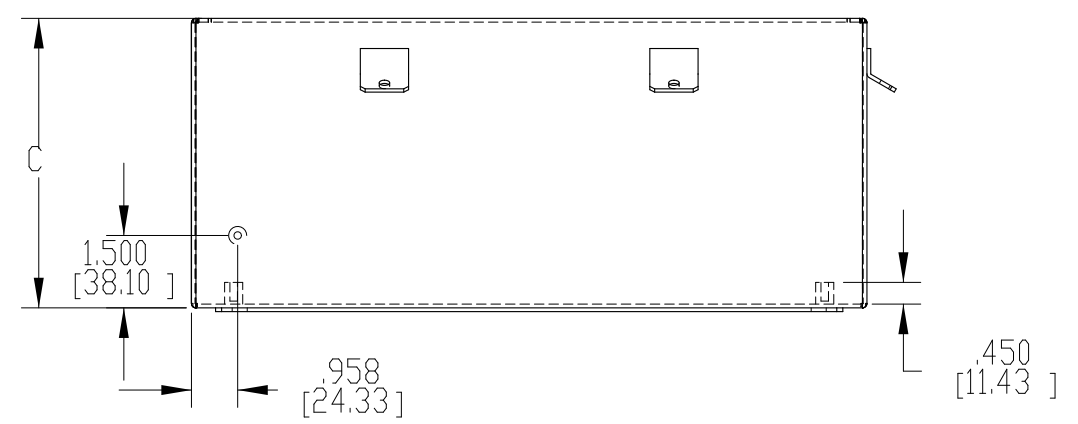
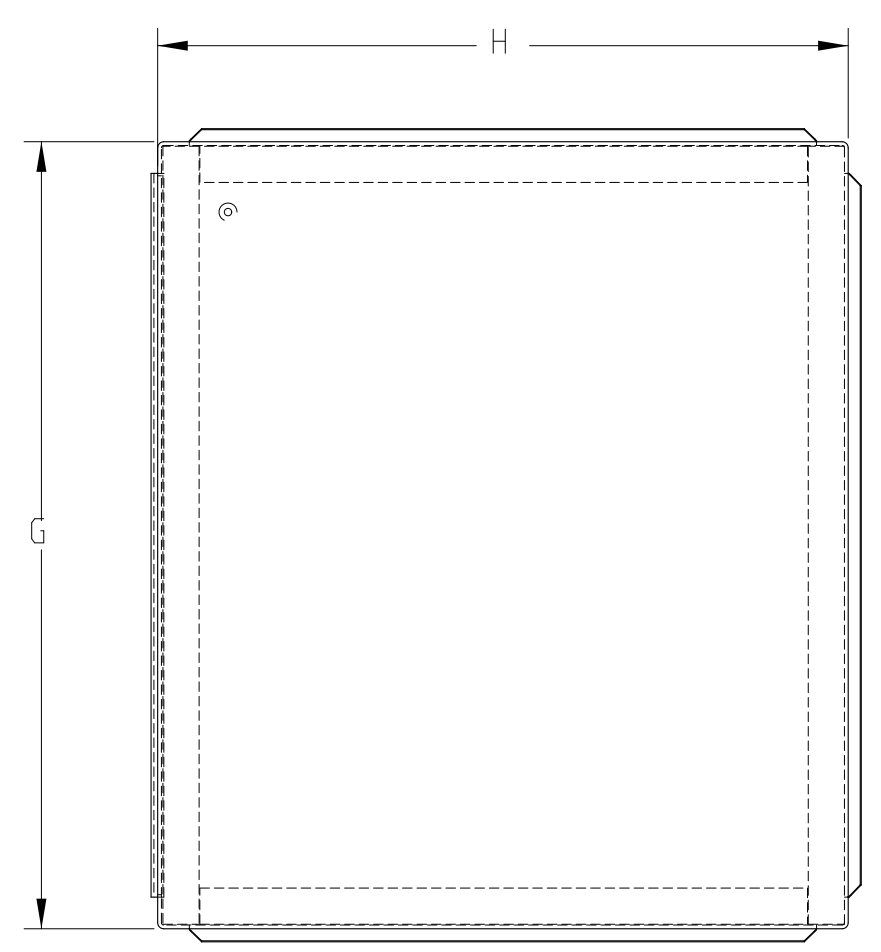
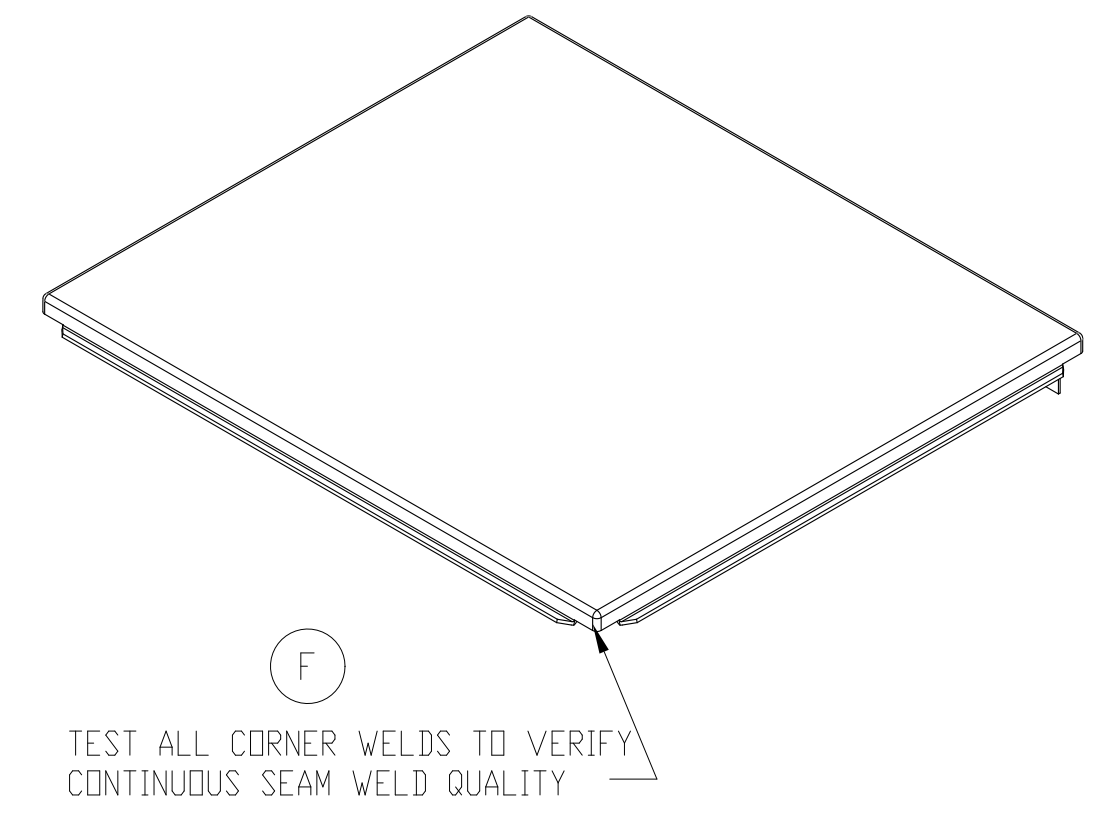
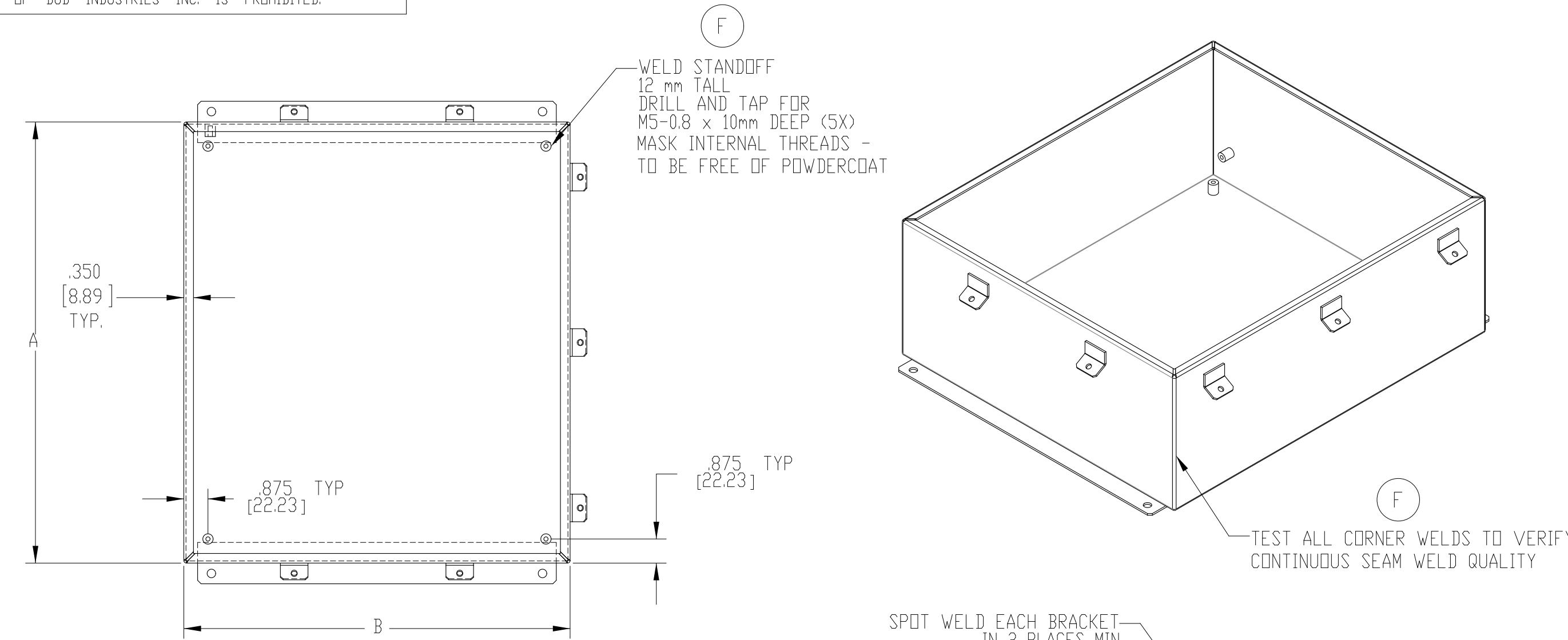
DIMENSIONS ARE INCH[MM]

PARTS LIST		BUD INDUSTRIES INC.	
TOLERANCE	AS NOTED	DATE	1-3-06
UNLESS OTHERWISE SPECIFIED	AS NOTED	APPROVED	
±.039 [1.0mm]	AS NOTED	CHECKED	
	AS NOTED	DESIGNED	
	AS NOTED	DRAWN	
	AS NOTED	APPROVED	
	AS NOTED	SCALE	1:1
	AS NOTED	SCALE	1:1

SIZE/DWG. NO. SN-3700
 SHEET 1 OF 1

THE INFORMATION CONTAINED IN THIS DRAWING IS THE SOLE PROPERTY OF BUD INDUSTRIES, INC. ANY REPRODUCTION IN PART OR WHOLE WITHOUT THE WRITTEN PERMISSION OF BUD INDUSTRIES, INC. IS PROHIBITED.

FIG NO	SN-3700
ISSUE	REVISIONS
	SEE SHEET 1



BODY ASSEMBLY						
PART NUMBER	A	B	C	D	E	F
3700-BA	6[152.4]	4[101.6]	3[76.2]	6.75[171.5]	2[50.8]	3[76.2]
3701-BA	8[203.2]	6[152.4]	3.5[88.9]	8.75[222.3]	4[101.6]	5[127]
3702-BA	6[152.4]	6[152.4]	4[101.6]	6.75[171.5]	4[101.6]	5[127]
3703-BA	12[304.8]	10[254]	5[127]	12.75[323.9]	8[203.2]	9[228.6]
3704-BA	10[254]	8[203.2]	6[152.4]	10.75[273]	6[152.4]	7[177.8]
3705-BA	12[304.8]	12[304.8]	6[152.4]	12.75[323.9]	10[254]	11[279.4]
3706-BA	14[355.6]	12[304.8]	6[152.4]	14.75[374.7]	10[254]	11[279.4]
3707-BA	16[406.4]	14[355.6]	6[152.4]	16.75[425.5]	12[304.8]	13[330.2]
3708-BA	14[355.6]	12[304.8]	8[203.2]	14.75[374.7]	10[254]	11[279.4]
3709-BA	16[406.4]	14[355.6]	10[254]	16.75[425.5]	12[304.8]	13[330.2]

COVER ASSEMBLY		
PART NUMBER	G	H
3700-CA	6.31[160.3]	4.31[109.5]
3701-CA	8.31[211.1]	6.31[160.3]
3702-CA	6.31[160.3]	6.31[160.3]
3703-CA	12.31[312.7]	10.31[261.9]
3704-CA	10.31[261.9]	8.31[211.1]
3705-CA	12.31[312.7]	12.31[312.7]
3706-CA	14.31[363.5]	12.31[312.7]
3707-CA	16.31[414.3]	14.31[363.5]
3708-CA	14.31[363.5]	12.31[312.7]
3709-CA	16.31[414.3]	14.31[363.5]

PARTS LIST			
TOLERANCE	CAD GENERATED DRAWING. DO NOT MANUALLY UPDATE.	BUD INDUSTRIES INC.	
UNLESS OTHERWISE SPECIFIED	APPROVALS	DATE	
	DRAWN	1-3-06	
MATERIAL	CHECKED		NEMA STEEL METAL BOX
AS NOTED	APPROVED		
FINISH			
AS NOTED			
QTY.	USED ON	SCALE	REV. G
			SN-3700
			SHEET 2 OF 2

Mouser Electronics

Authorized Distributor

Click to View Pricing, Inventory, Delivery & Lifecycle Information:

Bud Industries:

[SN-3702](#) [SN-3706](#) [SN-3708](#) [SN-3700](#) [SN-3704](#) [SN-3705](#) [SN-3709](#) [SN-3701](#) [SN-3703](#) [SN-3707](#)