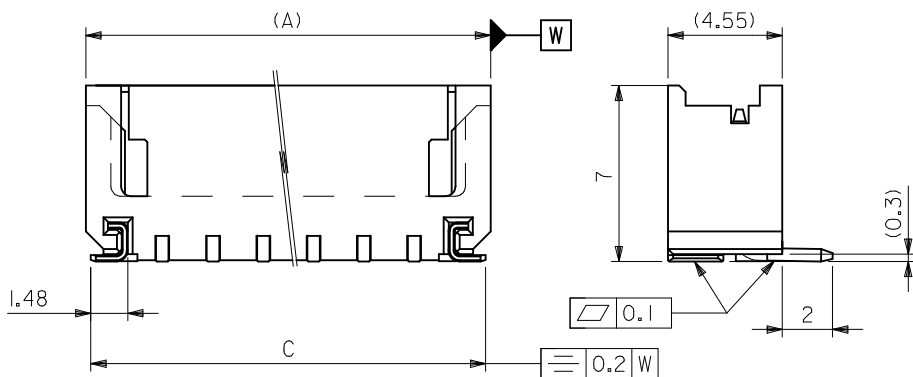


参考基板レイアウト
RECOMMENDED P.C.BOARD PATTERN DIM.(REF.)



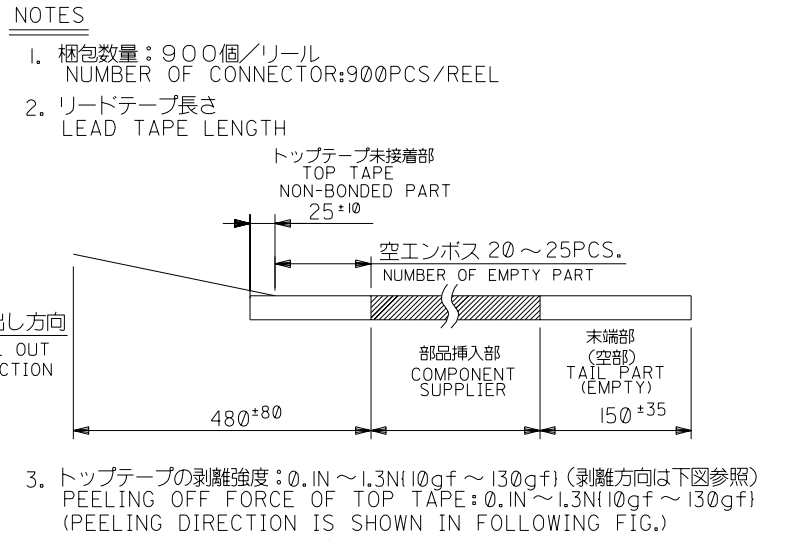
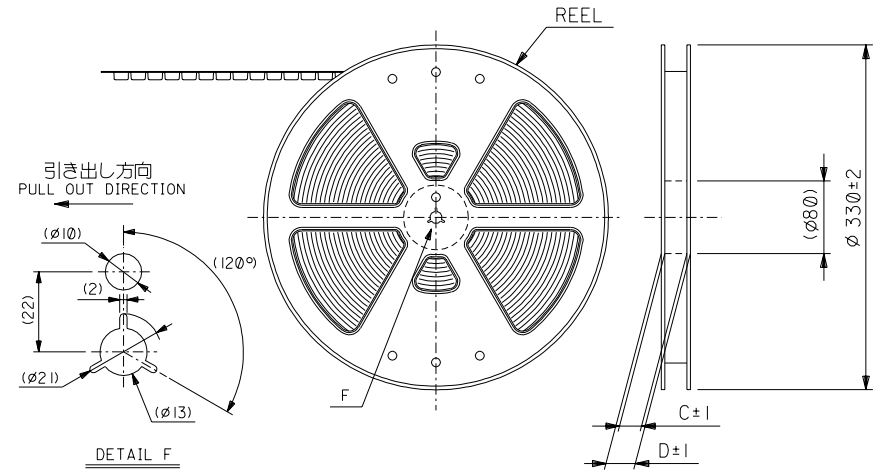
注記
NOTES

1. 材質
MATERIAL
ウエハー: PA (UL94V-0)
WAFER: PA (UL94V-0)
ピン: 黄銅 (口0.5), 銅下地錫メッキ
PIN: BRASS(0.5), TIN OVER COPPER PLATING
金具: リン青銅(+0.25), ニッケル下地錫メッキ
NAIL: PHOSPHOR BRONZE(+0.25), TIN OVER NICKEL PLATING
2. 嵌合相手: 51090, 52484 シリーズ
MATE WITH 51090, 52484 SERIES.
3. 本製品は 55460-***10 の鉛フリー品である。
THIS PRODUCT IS LEAD FREE OF 55460-***10.
4. ELV AND RoHS COMPLIANT.

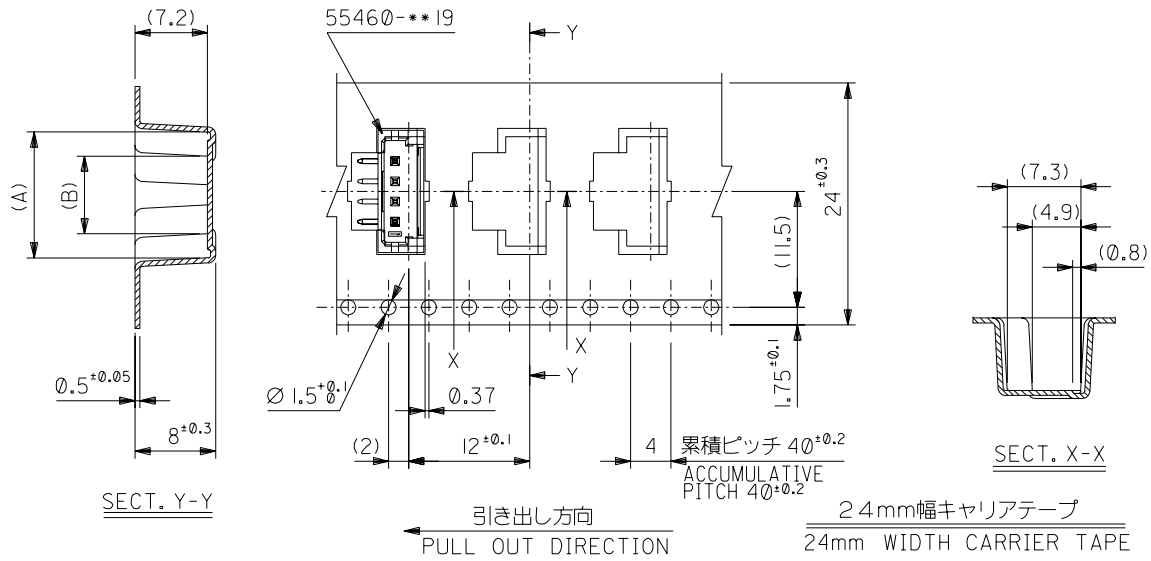
32.1	33.7	28	34.1	55460-1572	15
28.1	29.7	24	30.1	-1372	13
26.1	27.7	22	28.1	-1272	12
22.1	23.7	18	24.1	-1072	10
18.1	19.7	14	20.1	-0872	8
16.1	17.7	12	18.1	-0772	7
14.1	15.7	10	16.1	-0672	6
12.1	13.7	8	14.1	-0572	5
10.1	11.7	6	12.1	-0472	4
8.1	9.7	4	10.1	-0372	3
6.1	7.7	2	8.1	55460-0272	2
D	C	B	A	EMBOSSED PACKAGE オーダー番号 ORDER No.	種数 CKTS.

CONNECTOR SERIES NO. 55460-***19

REVISED EC NO: J2013-0327 DRINKMATSUYAMA 2012/09/13 CHKD:KASAKAWA 2012/09/19 APPR:YOITO 2012/09/20	GENERAL TOLERANCES (UNLESS SPECIFIED)		DIMENSION STYLE MM ONLY	SCALE ---	DESIGN UNITS METRIC	THIRD ANGLE PROJECTION
	10 UNDER	±0.2	DRAWN BY T.UENO	DATE 2004/03/29	TITLE 2.0 W/B CONN WAFER ASSY FOR SMT ST molex DOCUMENT NO. SD-55460-010 SHEET NO. 1 OF 1	
	10 OVER 30 UNDER	±0.25	CHECKED BY M.SASAO	DATE 2004/03/29		
	30 OVER	±0.3	APPROVED BY YOITO	DATE 2012/09/20		
ANGULAR ±3° DRAFT WHERE APPLICABLE MUST REMAIN WITHIN DIMENSIONS		MATERIAL NO. SEE TABLE	THIS DRAWING CONTAINS INFORMATION THAT IS PROPRIETARY TO MOLEX INCORPORATED AND SHOULD NOT BE USED WITHOUT WRITTEN PERMISSION			



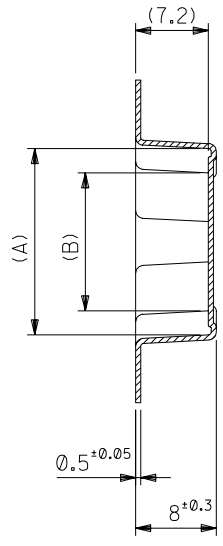
- NOTES
- 梱包数量：900個/リール
NUMBER OF CONNECTOR:900PCS/REEL
 - リードテープ長さ
LEAD TAPE LENGTH
 - トップテープの剥離強度：0.1N～1.3N(10gf～130gf) (剥離方向は下図参照)
PEELING OFF FORCE OF TOP TAPE: 0.1N～1.3N(10gf～130gf) (PEELING DIRECTION IS SHOWN IN FOLLOWING FIG.)
<剥離速度：300mm/min (参考)>
PEELING SPEED:300mm/min. (REFERENCE)
 - 55460-**-19の詳細寸法については図面SD-55460-010を参照下さい。
RE DETAILED DIMENSIONS,SEE SD-55460-010
 - 材料 (MATERIAL)
キャリアテープ(CARRIER TAPE):ポリプロピレン(POLYPROPYLENE)
トップテープ (TOP TAPE): PET ,PE ,PEF
リール (REEL) : ポリスチレン (PS) <リサイクル材を含む>
POLYSTYRENE(PS)<RECYCLE MATERIAL CONTAINED>
 - 本製品は 55460-**-90 の鉛フリー品である。
THIS PRODUCT IS LEAD FREE OF 55460-**-90.



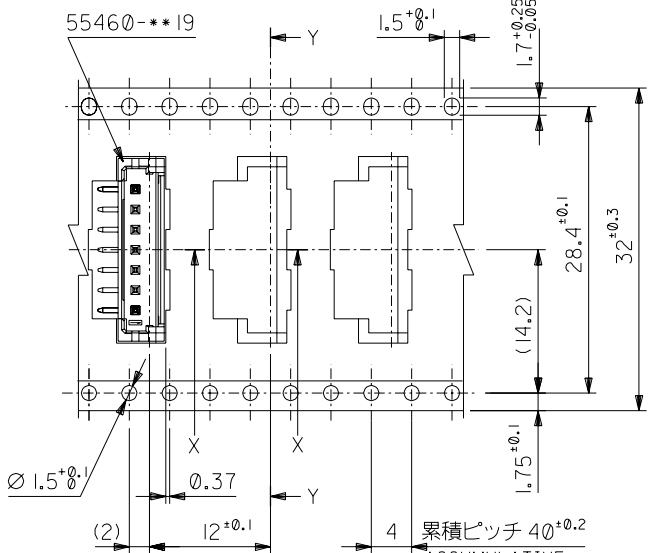
24	29.4	25.4	11.7	16.45	55460-0672	6
			9.7	14.45	55460-0572	5
			7.7	12.45	55460-0472	4
			5.7	10.45	55460-0372	3
			3.7	8.45	55460-0272	2
キャリアテープ幅	D	C	B	A	MATERIAL NO.	種数 CKTS.

DO NOT SCALE DRAWING

EC NO. DRWN: CH'K: APPR:		EC NO. DRWN: CH'K: APPR:		EC NO. DRWN: CH'K: APPR:		EC NO. DRWN: CH'K: APPR:		EC NO. DRWN: CH'K: APPR:		新規格作成 RELEASED EC NO. J2004-3410 DRWN: T.UENO '04/03/29 CH'K: M.SASAO '04/03/29 APPR: M.SASAO '04/03/29		MATERIAL 材料 // FINISH 仕上げ // WIRE RANGE 適用電線範囲 // INS. RANGE 被覆外径 //		GENERAL TOLERANCES: (UNLESS SPECIFIED) 一般公差 10 UNDER 未満 ±0.2 10 OVER 30 UNDER 未満 ±0.25 30 OVER 以上 ±0.3 ANGLE 角度 ±3°		SCALE 1/1 DESIGN UNITS 一般公差 <input checked="" type="checkbox"/> mm <input type="checkbox"/> INCH THIRD ANGLE PROJECTION <input checked="" type="checkbox"/> mm ONLY		55460-**-72 MODEL NO. DIMENSIONS: <input type="checkbox"/> mm <input type="checkbox"/> INCH		SHT REV REVISE ON CAD ONLY	
注記参照 SEE NOTES												DRAWN BY & DATE T.UENO '04/03/29		TITLE: 2.0 W+B Conn WAFER Assy Embstp pkg -LEAD FREE-		MATERIAL NO. SD-55460-011,S01		DRAWING NO. SD-55460-011		SHEET NO. 1 OF 3	
												APPROVED BY & DATE M.SASAO '04/03/29		MOLEX INCORPORATED		THIS DRAWING CONTAINS INFORMATION THAT IS PROPRIETARY TO MOLEX INCORPORATED AND SHOULD NOT BE USED WITHOUT WRITTEN PERMISSION.		SIZE B			

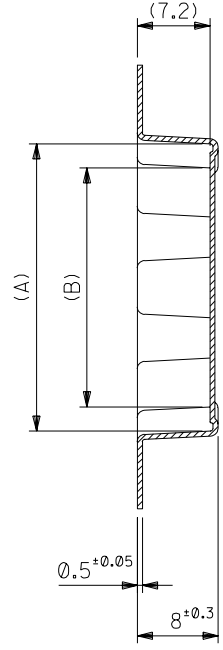


SECT. Y-Y

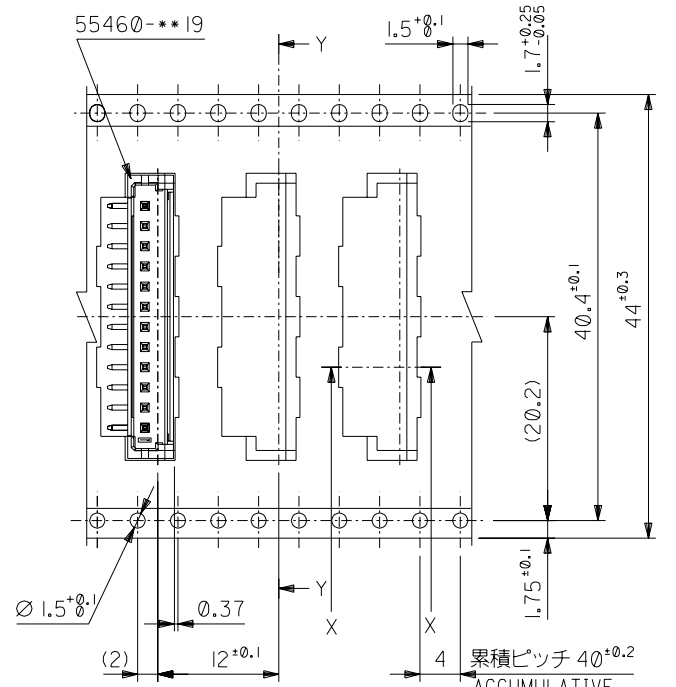


引き出し方向
PULL OUT DIRECTION

32mm幅キャリアテープ
32mm WIDTH CARRIER TAPE

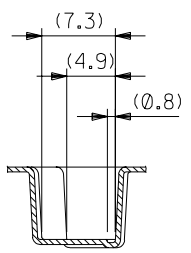


SECT. Y-Y



引き出し方向
PULL OUT DIRECTION

44mm幅キャリアテープ
44mm WIDTH CARRIER TAPE



SECT. X-X

44	49.4	45.4	25.7	30.45	55460-1372	13
			23.7	28.45	55460-1272	12
32	37.4	33.4	19.7	24.45	55460-1072	10
			15.7	20.45	55460-0872	8
			13.7	18.45	55460-0772	7
キャリアテープ幅	D	C	B	A	MATERIAL NO.	種数 CKTS.

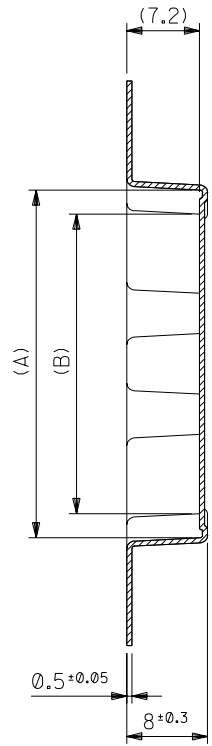
DO NOT SCALE DRAWING

EC NO. DRWN: CHK: APPR:	EC NO. DRWN: CHK: APPR:	EC NO. DRWN: CHK: APPR:	EC NO. DRWN: CHK: APPR:	EC NO. DRWN: CHK: APPR:	EC NO. DRWN: CHK: APPR:
					SEE SHEET 1 OF 3

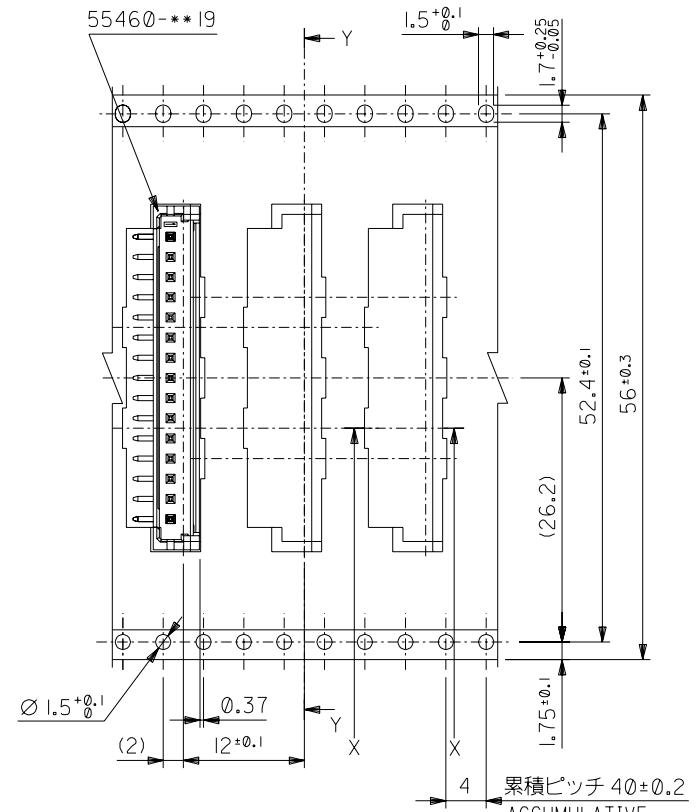
DESCRIPTION	MATERIAL 材料	FINISH 仕上げ	WIRE RANGE 適用電線範囲	INS. RANGE 被覆外径
	SHEET 1 OF 3参照 SEE SHEET 1 OF 3	//	//	//

GENERAL TOLERANCES: (UNLESS SPECIFIED) 一般公差	SCALE	DESIGN UNITS <input checked="" type="checkbox"/> mm <input type="checkbox"/> INCH	THIRD ANGLE PROJECTION <input checked="" type="checkbox"/> <input type="checkbox"/>
10 UNDER 未満	±0.2	DRAWN BY & DATE T.UENO '04/03/29	TITLE: 2.0 WtB Conn WAFER Assy Embstp pkg -LEAD FREE-
10 OVER 30 UNDER 未満	±0.25	CHECKED BY & DATE M.SASAO '04/03/29	APPROVED BY & DATE M.SASAO '04/03/29
30 OVER 以上	±0.3	CAD FILENAME SD-55460-011.S02	
ANGLE 角度	±3°	MATERIAL NO. SEE CHART	DRAWING NO. SD-55460-011

55460-***72 MODEL NO.		DIMENSIONS:		SHT	REV
<input type="checkbox"/> mm	<input type="checkbox"/> INCH	<input type="checkbox"/> mm	<input checked="" type="checkbox"/> mm ONLY		REVISE ON CAD ONLY
MATERIAL NO. SEE CHART		DRAWING NO. SD-55460-011		SHEET NO. 2 OF 3	
THIS DRAWING CONTAINS INFORMATION THAT IS PROPRIETARY TO MOLEX INCORPORATED AND SHOULD NOT BE USED WITHOUT WRITTEN PERMISSION.					SIZE B

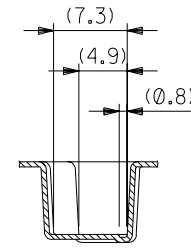


SECT. Y-Y



引き出し方向
PULL OUT DIRECTION

56mm幅キャリアテープ
56mm WIDTH CARRIER TAPE



SECT. X-X

56	61.4	57.4	29.7	34.45	55460-1572	15
キャリアテープ幅	D	C	B	A	MATERIAL NO.	種数 CKTS.

55460-**-72		MODEL NO.	DIMENSIONS:		SHT	REV
SCALE	DESIGN UNITS	THIRD ANGLE PROJECTION	<input type="checkbox"/> mm	<input type="checkbox"/> INCH	<input checked="" type="checkbox"/> mm	REVISION ON CAD ONLY
DRAWN BY & DATE	TITLE:		MOLEX INCORPORATED 2.0 WtB Conn WAFER Assy Embstp pkg -LEAD FREE-			
T.UENO	M.SASAO					
CHECKED BY & DATE	M.SASAO					
APPROVED BY & DATE	M.SASAO		CAD FILENAME	MATERIAL NO.	DRAWING NO.	SHEET NO.
			SD-55460-011.S03	SEE CHART	SD-55460-011	3 OF 3

EC NO.	EC NO.	EC NO.	EC NO.	EC NO.	EC NO.
DRWN:	DRWN:	DRWN:	DRWN:	DRWN:	DRWN:
CHK:	CHK:	CHK:	CHK:	CHK:	CHK:
APPR:	APPR:	APPR:	APPR:	APPR:	APPR:
SEE SHEET 1 OF 3					

MATERIAL 材料	SHEET 1 OF 3 参照 SEE SHEET 1 OF 3	
FINISH 仕上げ	//	
WIRE RANGE 適用電線範囲	//	
INS. RANGE 被覆外径	//	

GENERAL TOLERANCES: (UNLESS SPECIFIED) 一般公差	
10 UNDER 未満	±0.2
10 OVER 以上 30 UNDER 未満	±0.25
30 OVER 以上	±0.3
ANGLE 角度	±3°

THIS DRAWING CONTAINS INFORMATION THAT IS PROPRIETARY TO MOLEX INCORPORATED AND SHOULD NOT BE USED WITHOUT WRITTEN PERMISSION. SIZE B