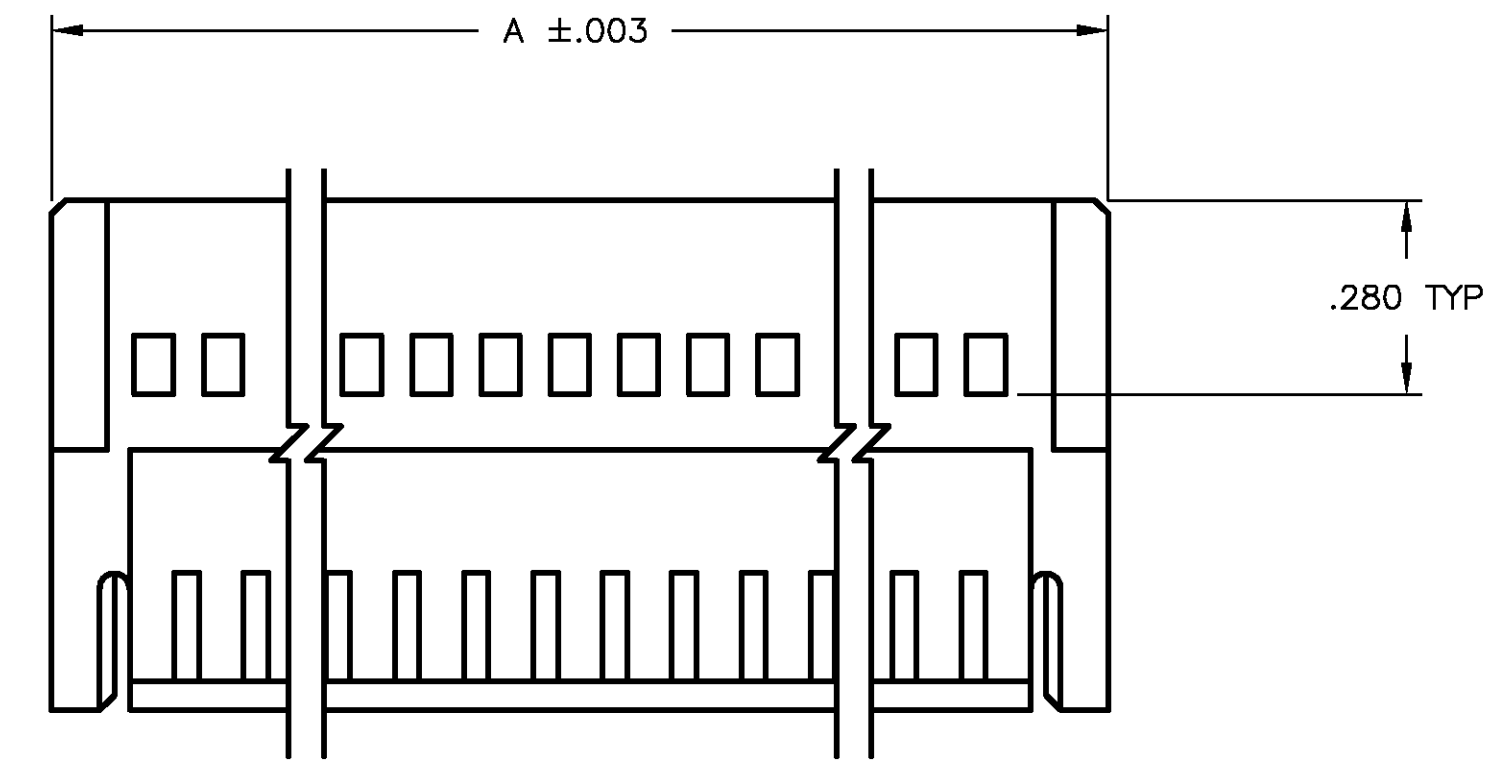
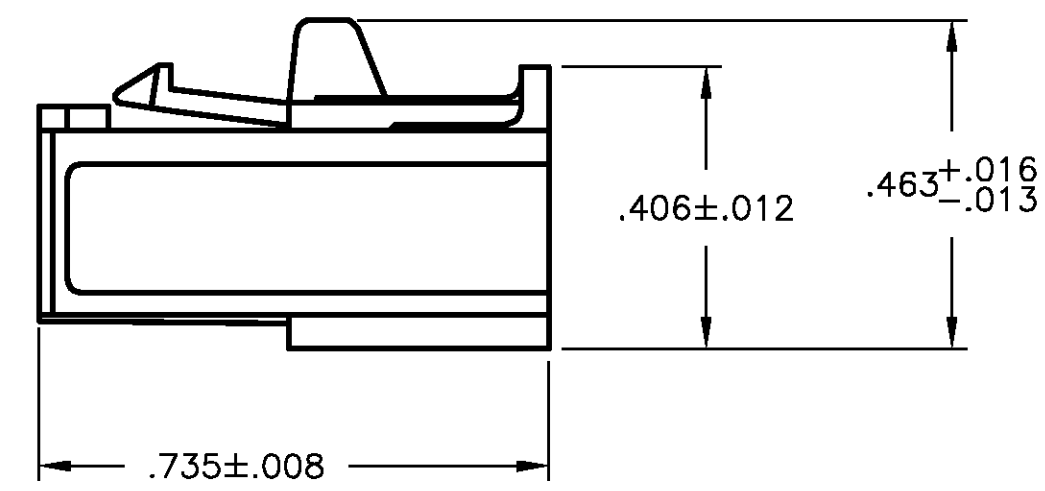
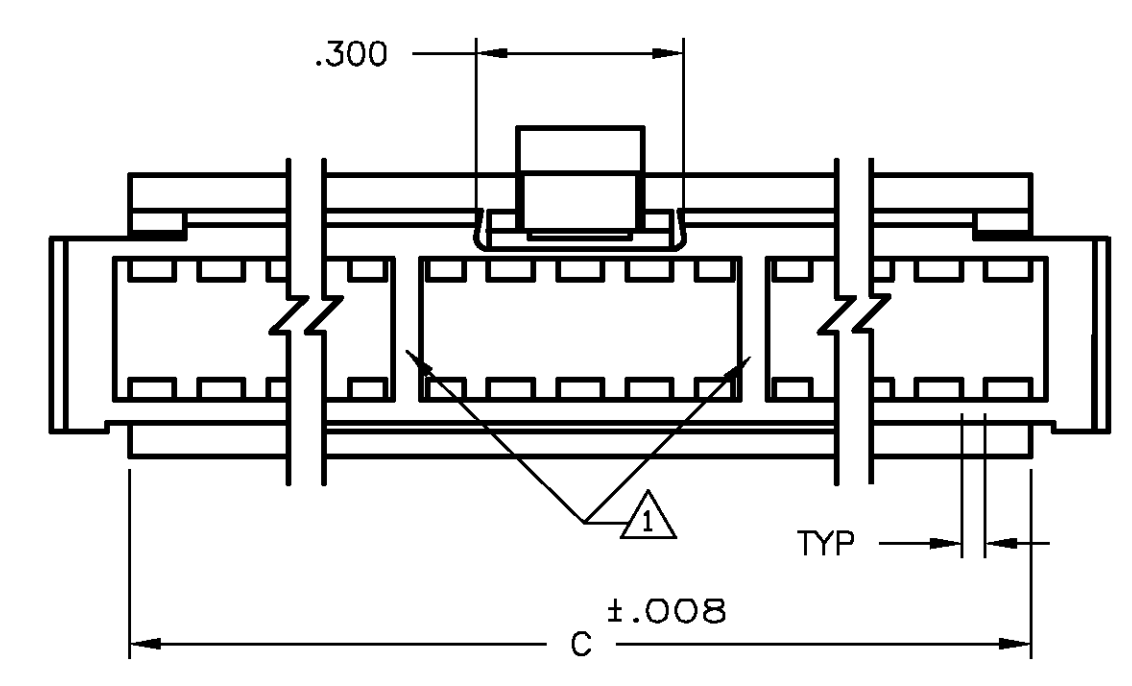
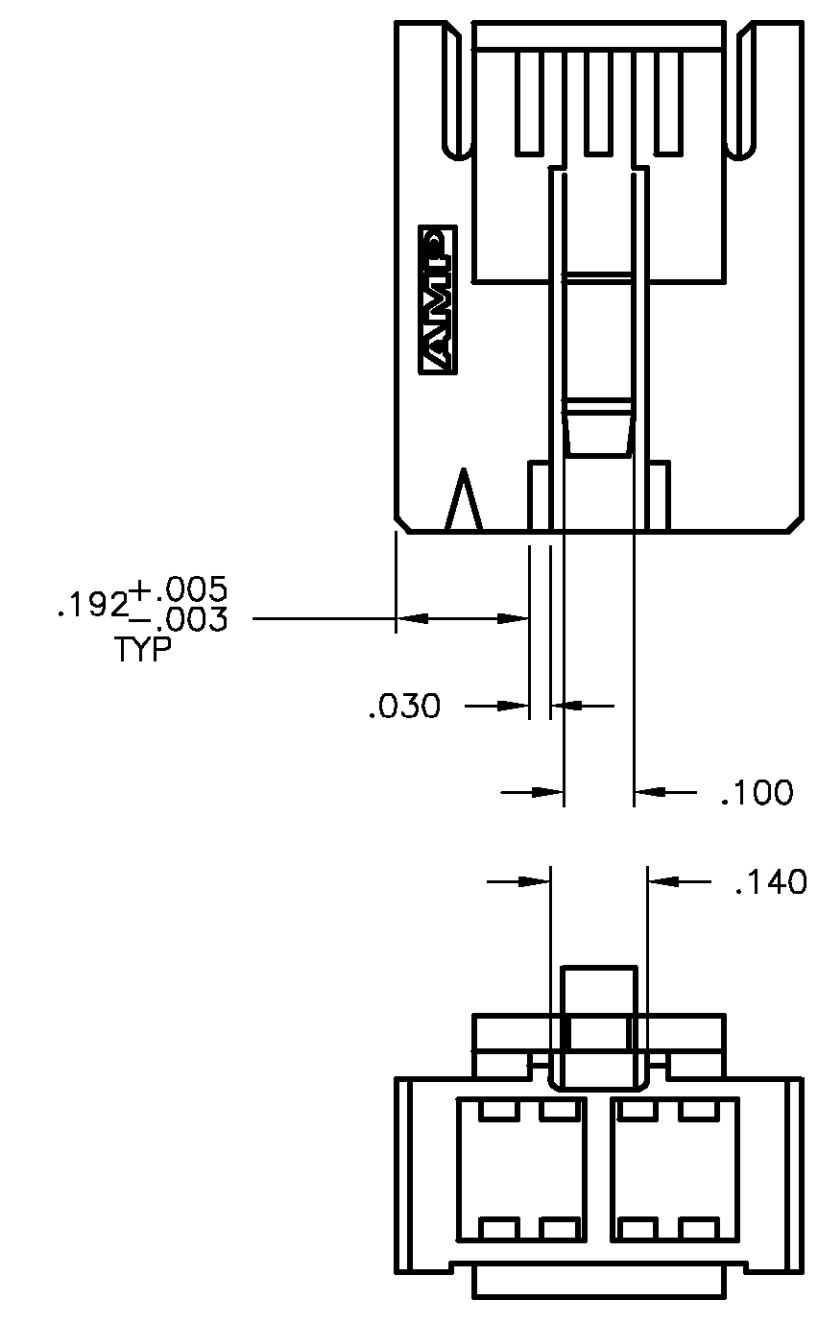
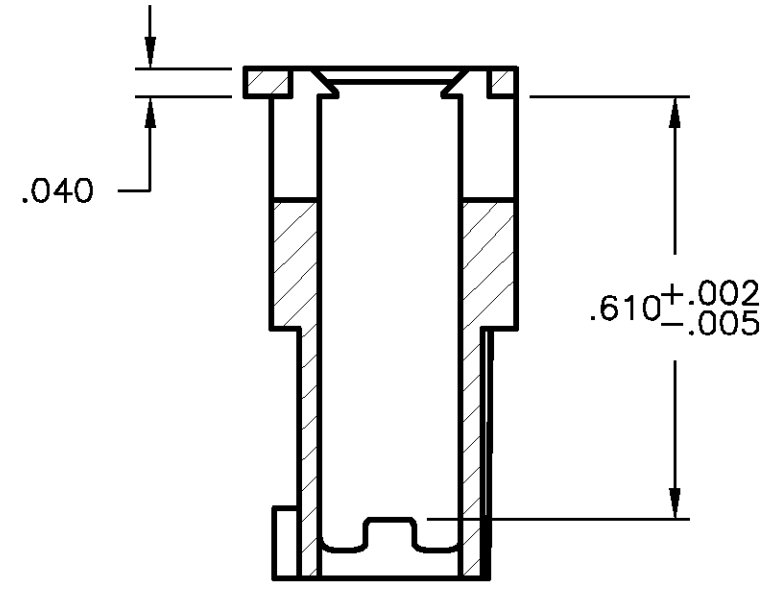
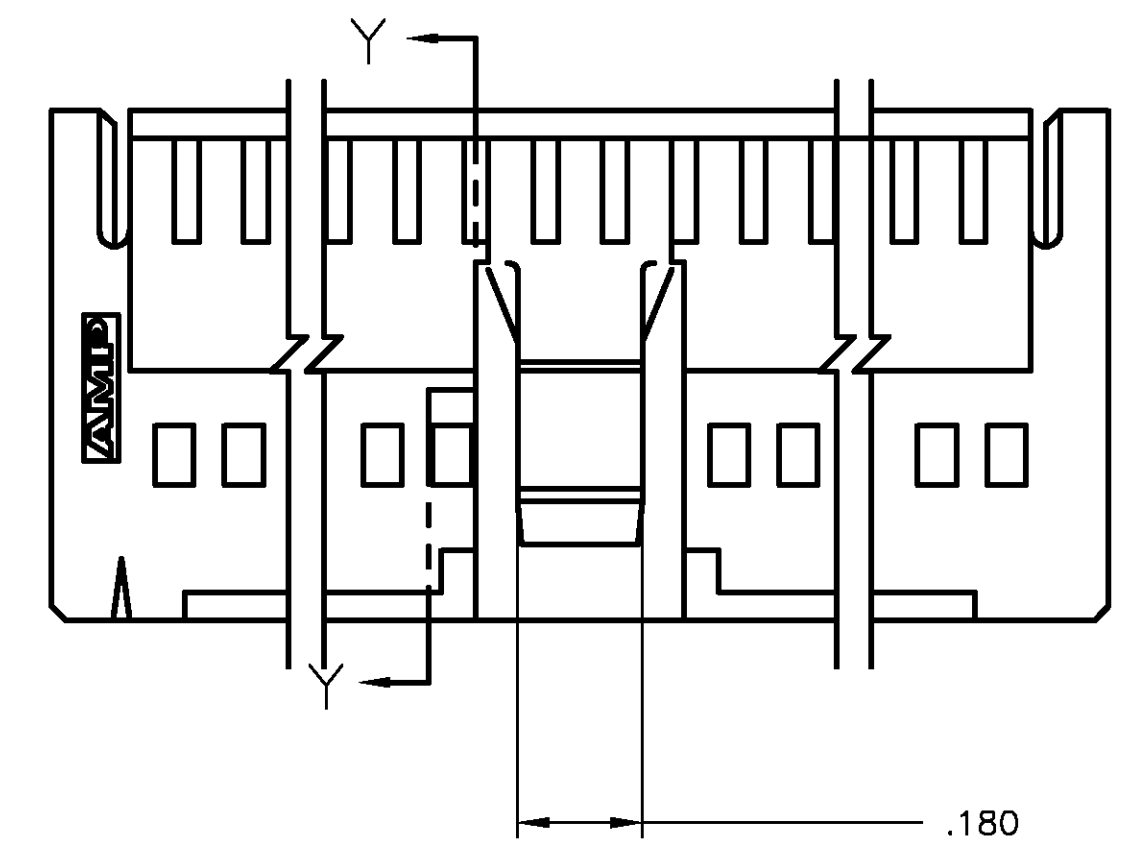


LOC		REV		REVISIONS			
AD	39	P	LR	DESCRIPTION	DATE	DM	APD
M	REV PER	OG3C-0373-02			11OCT02	RB	JG



- 1 SEE TABLE FOR RIB QTY
- 2 THIS COUPLING SHROUD IS TO BE USED WITH AMPMODU MTE® RECEPTACLE ASSEMBLIES WITH GUIDE RIBS THE NUMBER OF POSITIONS LISTED EQUALS THE TOTAL NUMBER OF POSITIONS WHICH CAN BE CONTAINED WITHIN THE COUPLING SHROUD
- 3 FLAME RETARDANT THERMOPLASTIC, COLOR-BLACK.
- 4 PRELIMINARY PART - NOT RELEASED FOR PRODUCTION.

QTY	C	A	NO OF POSN	PART NUMBER
1			6	1-103681-7
2			50	1-103681-6
2			40	1-103681-5
2			34	1-103681-4
2			32	1-103681-3
2			30	1-103681-2
2			28	1-103681-1
2			26	1-103681-0
2			24	103681-9
2			22	103681-8
2			20	103681-7
2			18	103681-6
1			16	103681-5
1			14	103681-4
1			12	103681-3
1			10	103681-2
1			8	103681-1

THIS DRAWING IS A CONTROLLED DOCUMENT. DWN H. MOLI 10-7-87  
 CHK P. de JONG 10-7-87  
 AMP Tyco Electronics Corporation Harrisburg, PA 17105

DIMENSIONS: INCHES	TOLERANCES UNLESS OTHERWISE SPECIFIED:	PRODUCT SPEC: 108-25034	NAME: COUPLING SHROUD, AMPMODU MTE, .100X.100 C/L, DOUBLE ROW
0 PLG ± -	1 PLG ± -	APPLICATION SPEC: 114-25026	SIZE: A1
2 PLG ± .005	3 PLG ± -	WEIGHT: -	CAGE CODE: 00779
4 PLG ± -	ANGLES ± -	MATERIAL: 3	DRAWING NO: 103681
FINISH: -		SCALE: 4:1	

CUSTOMER DRAWING SHEET 1 OF 1 REV M

# Mouser Electronics

Authorized Distributor

Click to View Pricing, Inventory, Delivery & Lifecycle Information:

[TE Connectivity:](#)

[103681-4](#)