

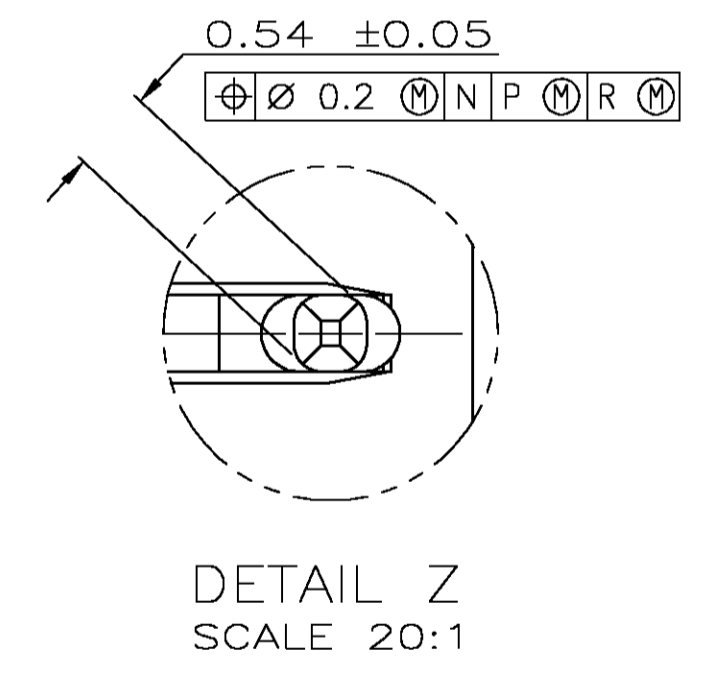
RECOMMENDED CIRCUIT PATTERN  
 PER IPC-D300 TYPE II, CLASS C  
 (COMPONENT SIDE)

- △ HOUSING MATERIAL: LIQUID CRYSTAL POLYMER, COLOR: NATURAL.
- △ CONTACT MATERIAL: PHOSPHOR BRONZE PER UNS ALLOY NO. C51100, TEMPER: H04.
- △ CONTACT FINISH:(D)  
 UNDERPLATE (ENTIRE CONTACT):  
 0.00127 MIN NICKEL PER SAE-AMS-QQ-N-290  
 ON MATING SURFACES:  
 FLASH GOLD PER ASTM B 488, OVER  
 0.00076 MIN PALLADIUM-NICKEL OVER UNDERPLATE, OR  
 0.00076 MIN GOLD PER ASTM B 488 OVER UNDERPLATE.  
 ON LEADS:  
 0.00127 MIN MATTE TIN PER ASTM B 545 OVER UNDERPLATE.  
 LUBRICATION (MIN MATING SURFACES):  
 SURFACE CONDITIONER AFTER PLATING.
- △ PART MARKING LOCATED APPROXIMATELY AS SHOWN.

| ROW            | D |   | AB |   |   | AC |
|----------------|---|---|----|---|---|----|
|                | C |   | AB |   |   | AC |
|                | B |   | AC |   |   | AC |
|                | A |   | AB |   |   | AB |
|                | 1 | 2 | 3  | 4 | 5 | 6  |
| POWER POSITION |   |   |    |   |   |    |
| 5536626-1      |   |   |    |   |   |    |

| ROW            | D |   | AC |   |   | AC |
|----------------|---|---|----|---|---|----|
|                | C |   | AB |   |   | AB |
|                | B |   | AB |   |   | AB |
|                | A |   | AC |   |   | AC |
|                | 1 | 2 | 3  | 4 | 5 | 6  |
| POWER POSITION |   |   |    |   |   |    |
| 5536626-2      |   |   |    |   |   |    |

| CODE LETTER | MATING POST LENGTH ±0.1 | LEAD LENGTH (REF) |
|-------------|-------------------------|-------------------|
| AC          | 8                       | 4.25              |
| AB          | 7.25                    | 4.25              |



| 6                                      | 1 | 10                                     | 5          | 11.88                   | △      | 8   | 5536626-2   |
|--|---|--|------------|-------------------------|--------|---|-------------|
| 6                                      | 1 | 10                                     | 5          | 11.88                   | △      | 8   | 5536626-1   |
| E                                      | D | C                                      | B          | A                       | FINISH | NO OF POWER POSN  | PART NUMBER |
| THIS DRAWING IS A CONTROLLED DOCUMENT. |   |  |            |                         |        |   |             |
| DIMENSIONS: mm [INCHES]                |   | TOLERANCES UNLESS OTHERWISE SPECIFIED: |            | APPROVED: D.R. BAECHTLE |        | Tyco Electronics Corporation  |             |
| 0 PLC                                  | ± | -                                      |            | 10/AUG/95               |        | Harrisburg, Pa 17105-3608   |             |
| 1 PLC                                  | ± | -                                      |            | 10/AUG/95               |        | ASSEMBLY, PIN, POWER, VERTICAL, Z-PACK 2mm FB, 4 ROW, PRESS FIT LEADS, RANDOM SEQUENCED |             |
| 2 PLC                                  | ± | -                                      | 0.13[.005] | NAME                    |        | RESTRICTED TO   |             |
| 3 PLC                                  | ± | -                                      |            | APPLICATION SPEC        |        | SIZE: A1 00779 C=5536626  |             |
| 4 PLC                                  | ± | -                                      |            | WEIGHT                  |        | SCALE: 4:1 SHEET: 1 OF 1 REV: 0   |             |
| ANGLES                                 | ± | -                                      |            | CUSTOMER DRAWING        |        |   |             |

# Mouser Electronics

Authorized Distributor

Click to View Pricing, Inventory, Delivery & Lifecycle Information:

[TE Connectivity:](#)

[5536626-1](#)