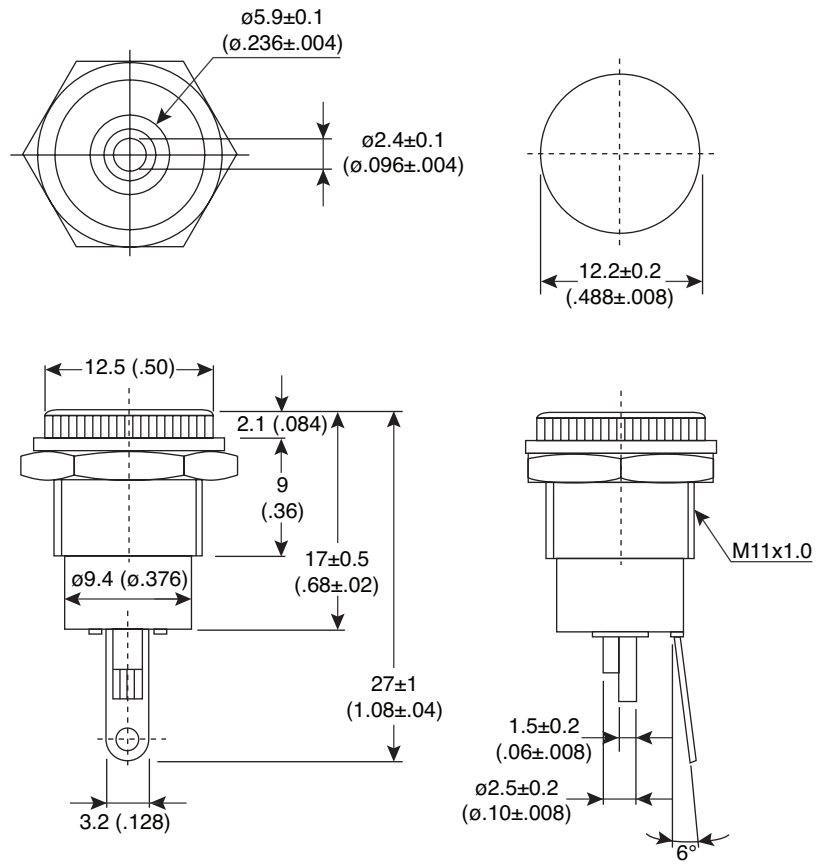


# DC Power Jack

163-2325-E



DC Power Jack



Dimensions: mm (In.)

SPECIFICATIONS	
Rating:	3A
Insulation R	DC 500V 100M $\Omega$ min.
Dielectric Strength:	AC 1000V 1 minute
Operation Temperature:	-10°C ~ +80°C

Date Last Revised: 8-21-06

Available from Mouser Electronics  
 1-800-346-6873  
 www.mouser.com

KC-301038

163-2325-E

Specifications are subject to change without notice. No liability or warranty implied by this information. Environmental compliance based on producer documentation.

# Mouser Electronics

Authorized Distributor

Click to View Pricing, Inventory, Delivery & Lifecycle Information:

[Kobiconn:](#)

[163-2325-E](#)