

# Banana Jack - Uninsulated Standard Type:

## Pierced Lug Terminal

### SPECIFICATIONS

**Jack Body:** Brass per QQ-B-626D

**Finish:** Nickel

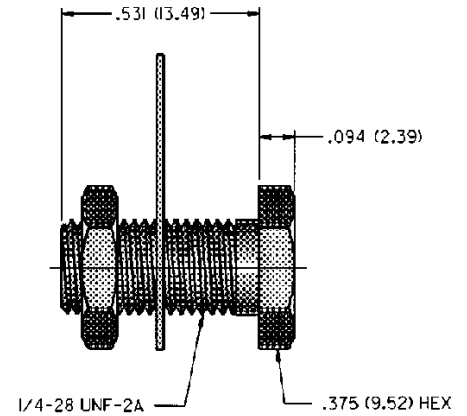
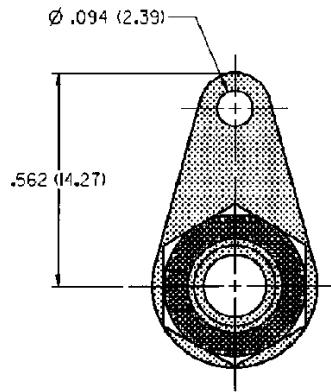
**Hardware:** Nickel plated nut; stamped tin plated solder terminal (unassembled)

**Panel Thickness:** Up to .375 (9.50)

### RATINGS

**Current:** 15 amps

**Contact Resistance:** 0.010 ohms maximum



INCHES (MILLIMETERS)  
CUSTOMER DRAWINGS AVAILABLE UPON REQUEST



<b>NICKEL PLATING</b>
<b>PART NO.</b>
108-0740-001

**For Standard Banana Plug: .175 (4.44) Across Flats**

### FEATURES:

- Accepts up to 12 gauge wire
- Hex head for faster installation
- For higher current designs

# Mouser Electronics

Authorized Distributor

Click to View Pricing, Inventory, Delivery & Lifecycle Information:

[Cinch Connectivity Solutions:](#)

[108-0740-001](#)