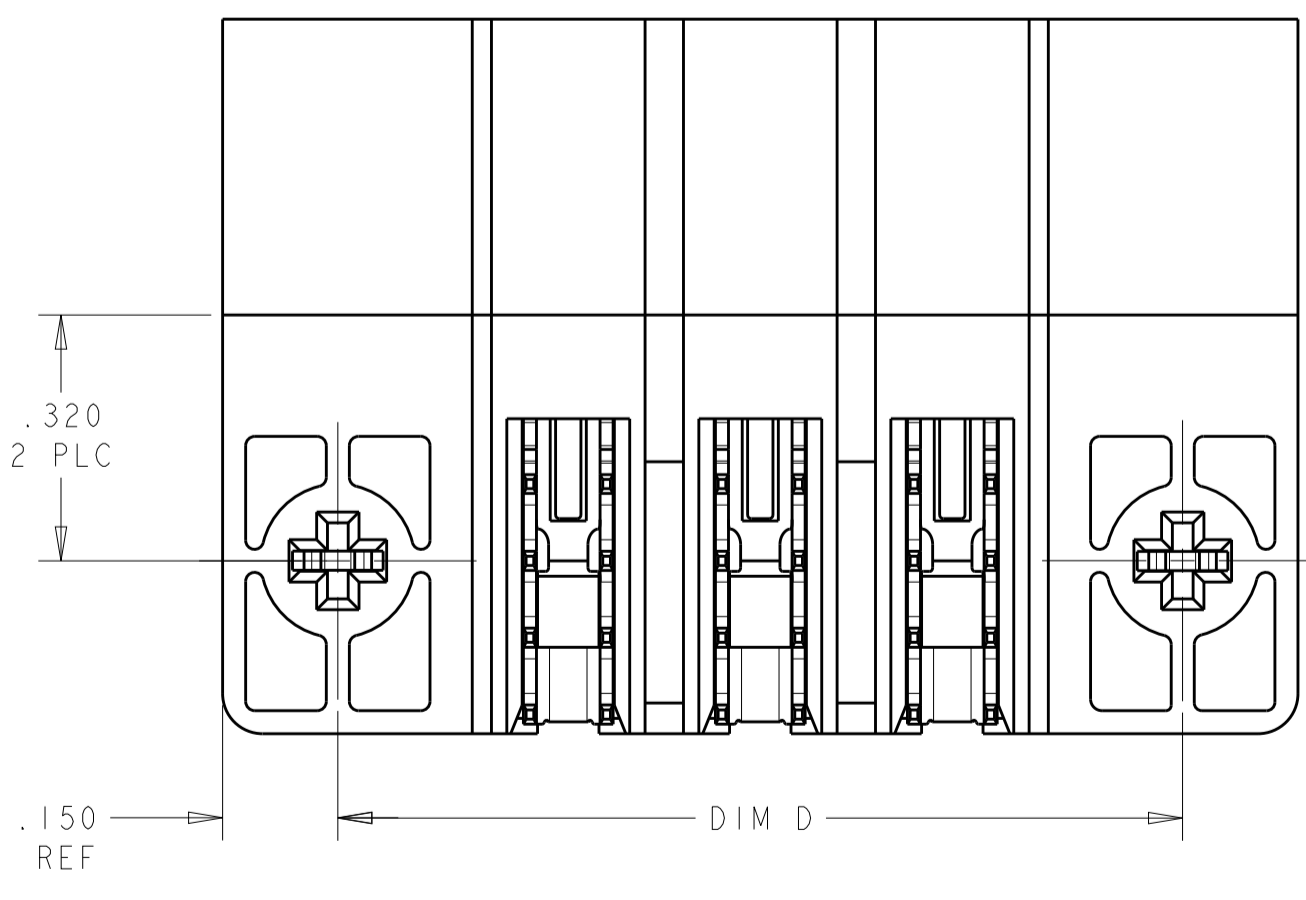
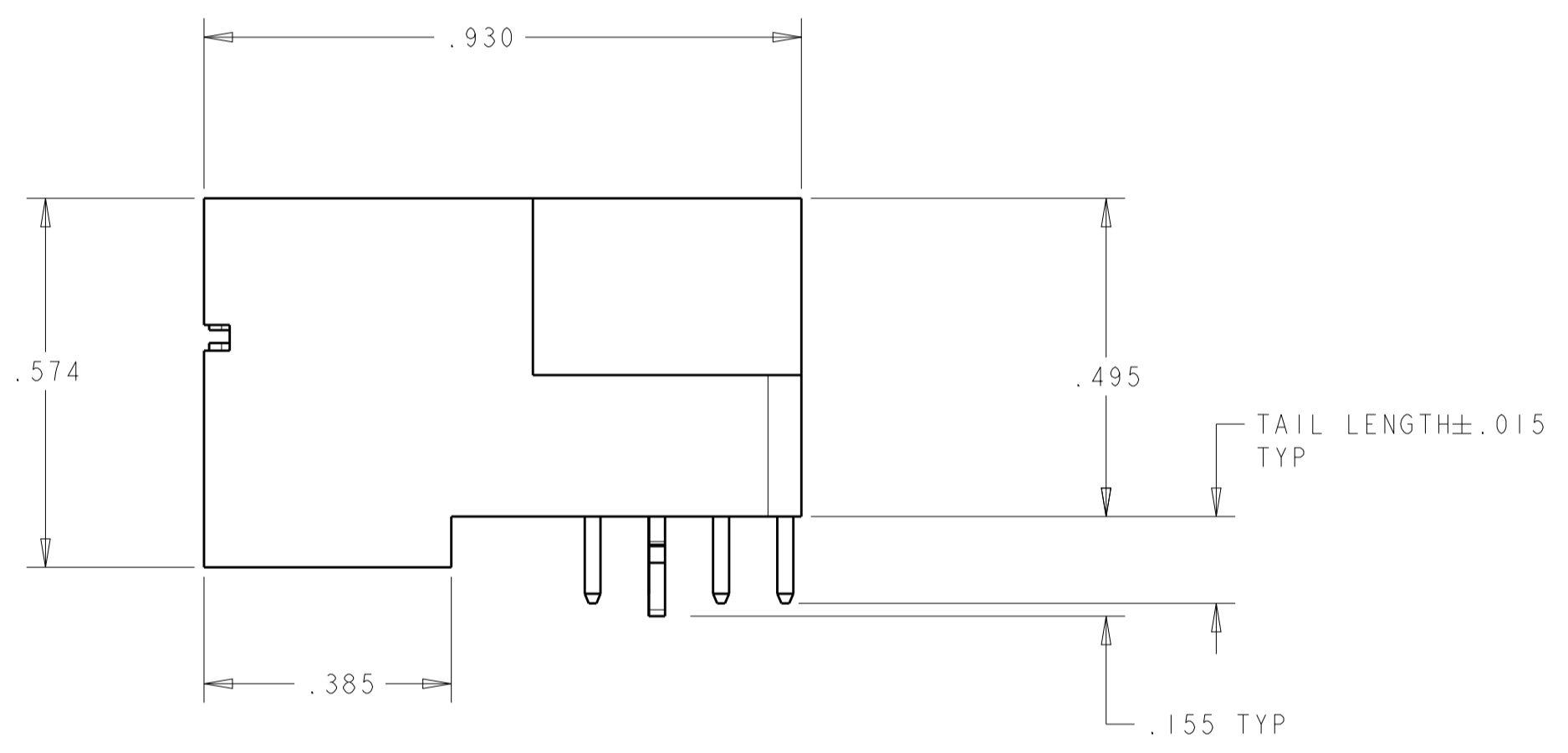
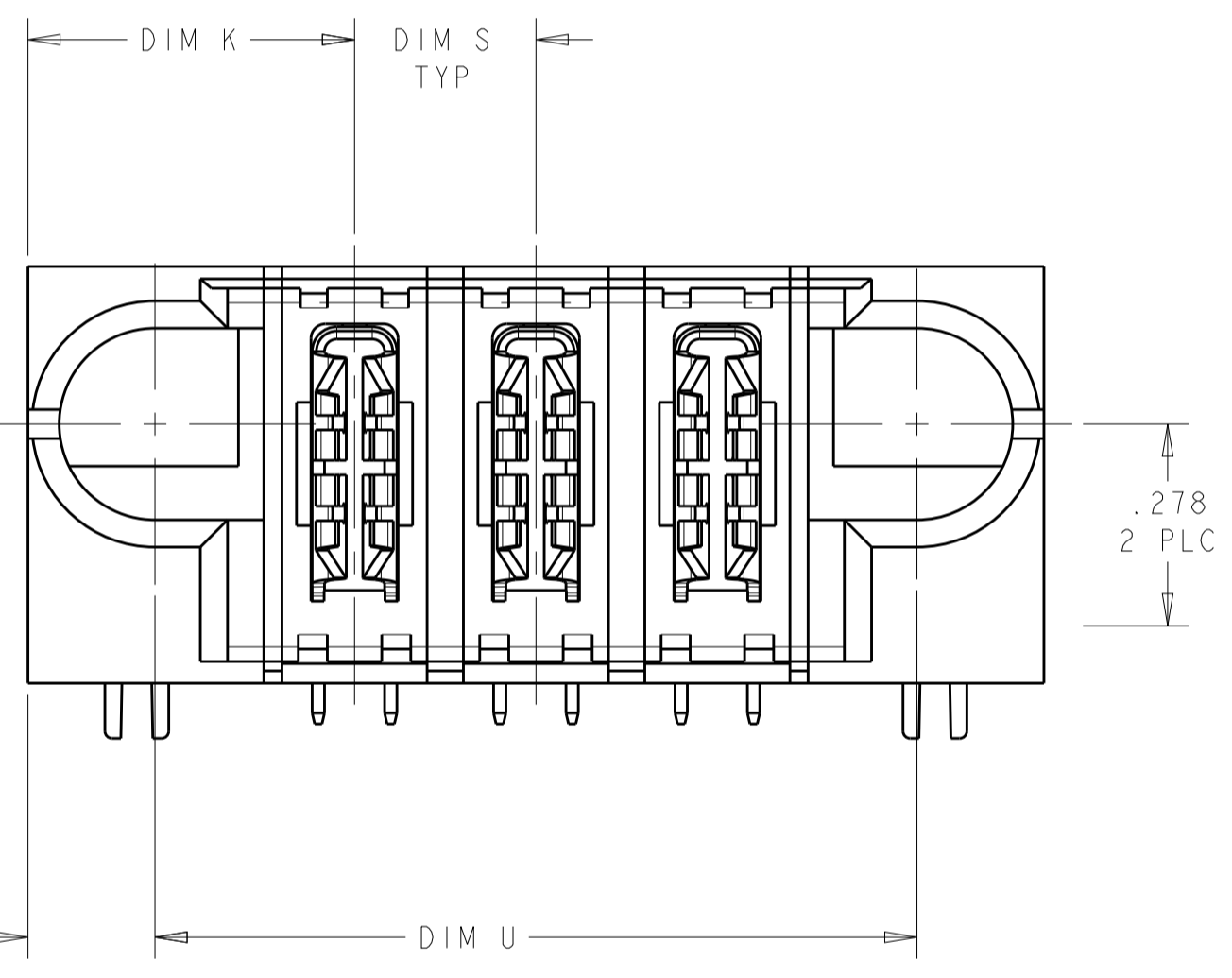
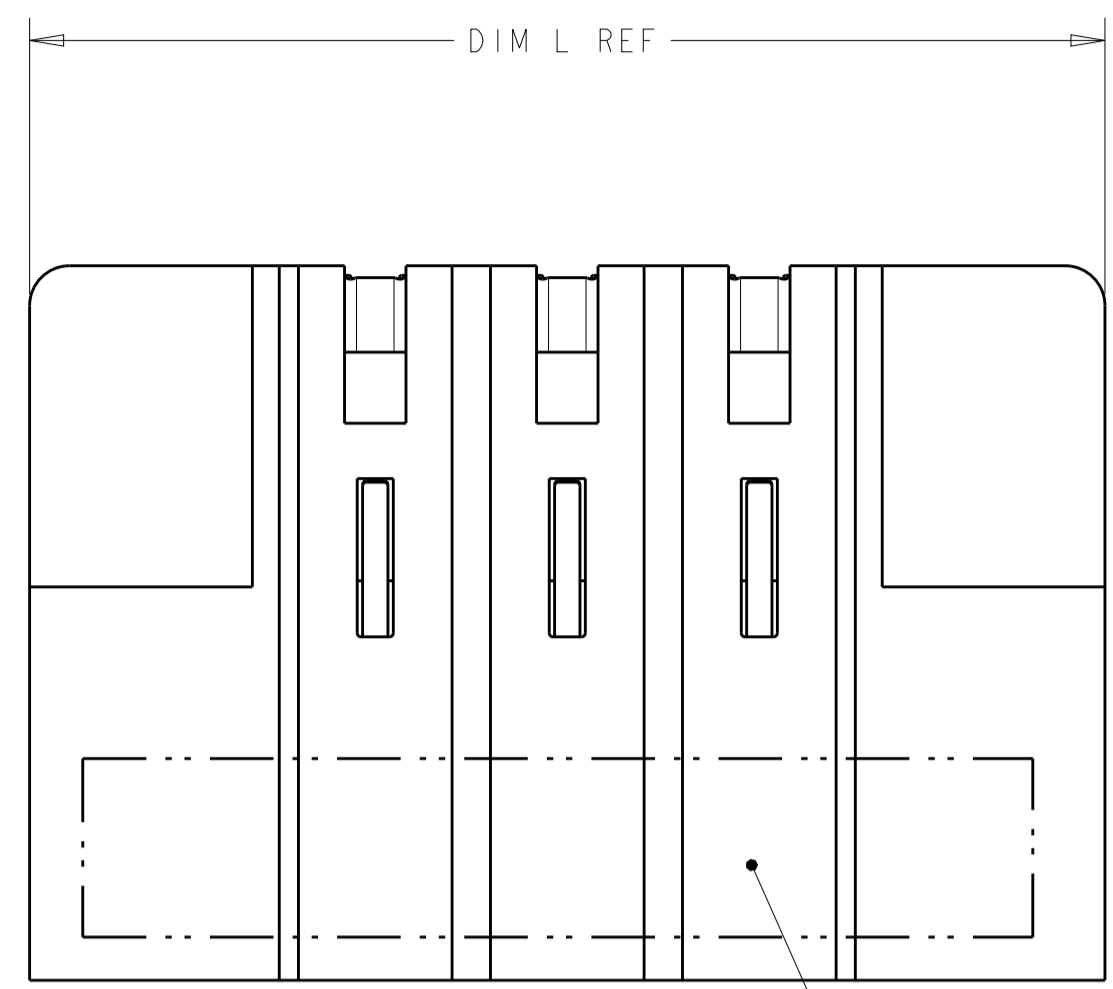


LOC	DIST	REVISIONS			
		REV	DATE	BY	APPV
GP	00	C1	REV PER ECR-11-022334	03NOV2011	CZ SZ
		C3	REVISED 1-8	16JAN2014	CZ SZ
		C5	ADDING NOTE FOR 1-8	10SEP2015	CZ SZ
		C6	REVISED 1-0 BY CUSTOMER	05MAY2016	CZ SZ



- 1 "AMP", PART NUMBER, AND DATE CODE TO BE MARKED IN AREA SHOWN.
- 2 MATERIAL: HOUSING - GLASS FILLED HIGH TEMP THERMO PLASTIC, UL94 V-0
POWER CONTACT - HIGH CONDUCTIVITY COPPER ALLOY
- 3 CONTACT PLATING: NOBLE METAL PLATING ON CONTACT FUNCTIONAL AREA OF POWER AND SIGNAL CONTACTS
- 4 MECHANICAL CONNECTOR KEEP OUT ZONE.
- 5 DATUM AND BASIC DIMENSIONS ESTABLISHED BY CUSTOMER.
- 6 PCB- ALL HOLE DIAMETERS ARE FINISHED HOLE SIZES.
- 7 PCB - .0453±.0010 DRILLED HOLES WITH .0003 MIN Sn OVER .001 TO .003 Cu PLATING TO ACHIEVE A .040±.003 DIA HOLE.
- 8 VARIABLE DIMENSIONS SHOWN ON VIEW (SHEET 3)
- 9 FOR DETAIL DIMENSION PLEASE REFER TO TABLE

3.750	.200	3.800	.450	4.100	17P	1-6450123-8
1.150	.300	1.200	.450	1.500	3ACP	1-6450123-6
1.725	.375	1.775	.475	2.075	4P	1-6450123-5
2.700	.300	2.750	.475	3.050	8ACP	1-6450123-4
1.300	.200	1.350	.425	1.650	5HDP	1-6450123-2
5.550	.200	5.600	.450	5.900	26P	1-6450123-1
1.750	.200	1.800	.450	2.100	7HDP	1-6450123-0
2.300	.250	2.350	.450	2.650	8P	6450123-8
1.700	8	1.750	.425	2.050	6P	6450123-7
1.550	.250	1.600	.450	1.900	5P	6450123-6
2.050	.250	2.100	.450	2.400	7P	6450123-5
.800	.250	.850	.450	1.150	2P	6450123-4
1.200	.300	1.250	.475	1.550	3ACP	6450123-3
1.300	.250	1.350	.450	1.650	4P	6450123-2
1.050	.250	1.100	.450	1.400	3P	6450123-1
DIM U	DIM S	DIM D	DIM K	DIM L	DESCRIPTION	PART NUMBER

THIS DRAWING IS A CONTROLLED DOCUMENT. DWN: R. GRZYBOWSKI TOFEB05
 CHK: M. PERCHERKE TOFEB05
 APVD: M. PERCHERKE

STE TE Connectivity

RIGHT ANGLE HEADER ASSEMBLY W/GUIDES MULTI-BEAM XL

PRODUCT SPEC: 108-1973
 APPLICATION SPEC: 114-13038

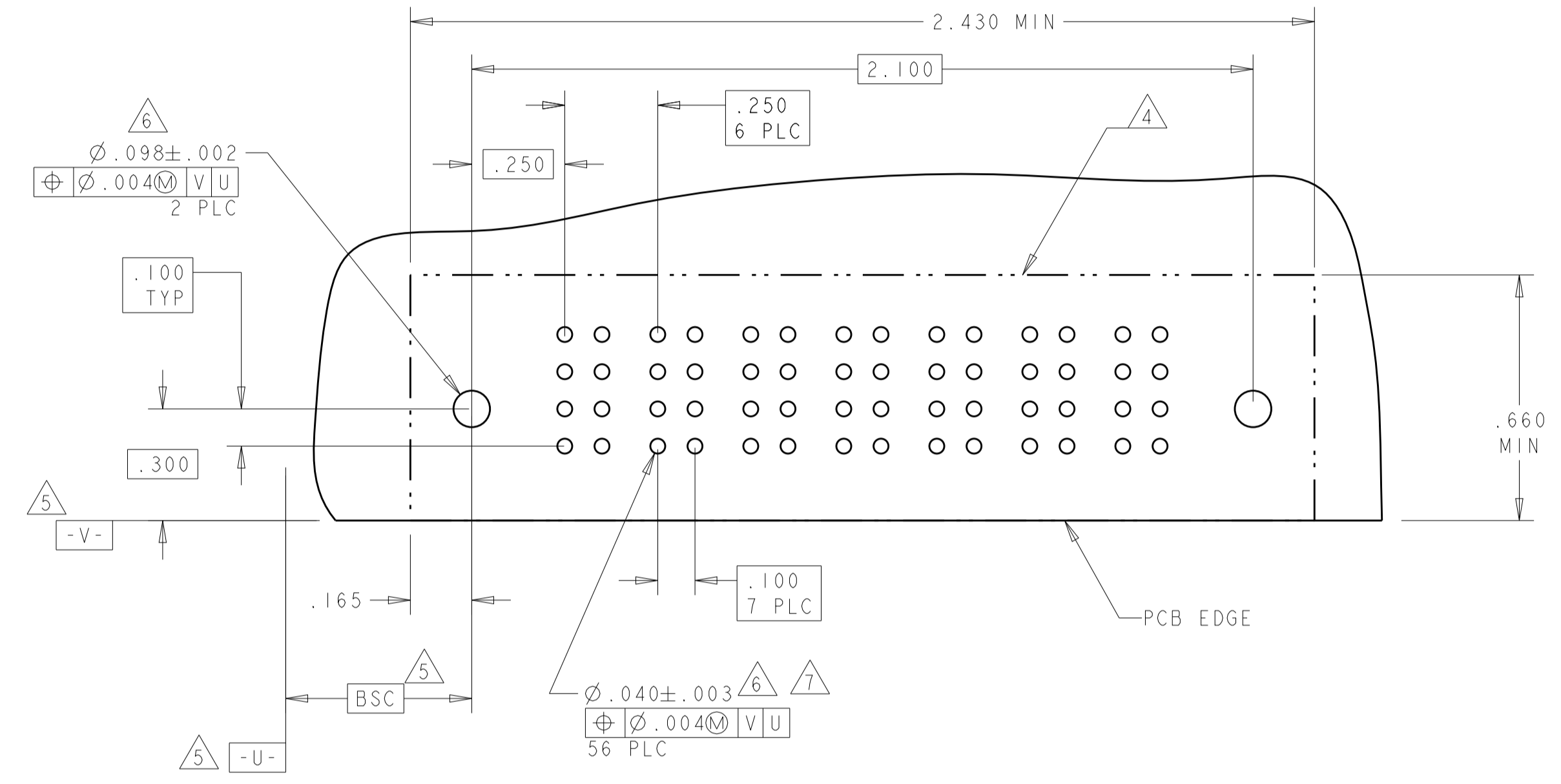
SIZE: A100779 CAGE CODE: 6450123
 SCALE: 4:1 SHEET 1 OF 8 REV: C6

MATERIAL: FINISH:

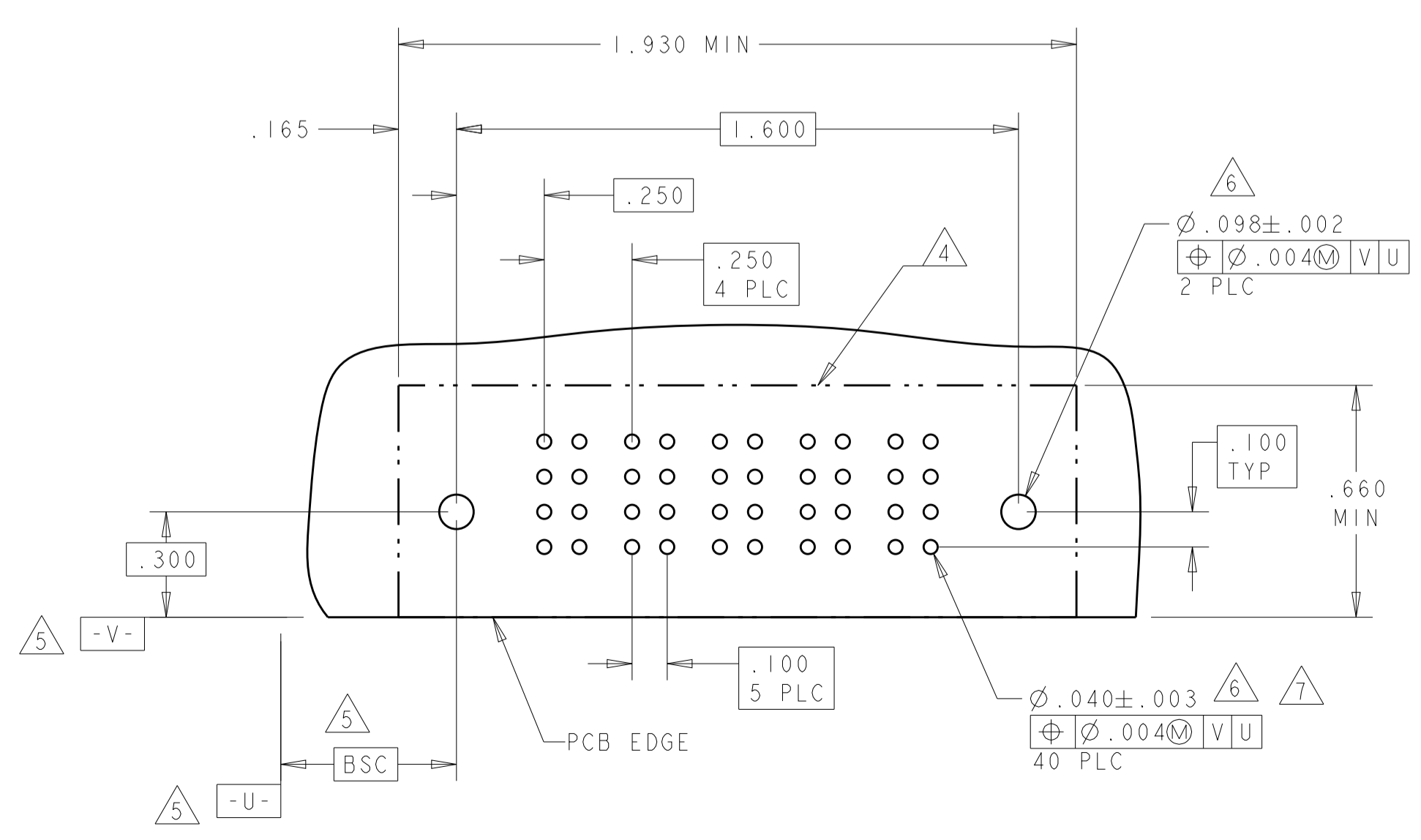
TOLERANCES UNLESS OTHERWISE SPECIFIED:
 0 PLC ±.01
 1 PLC ±.01
 2 PLC ±.01
 3 PLC ±.005
 4 PLC ±.002
 ANGLES ±.2°

THIS DRAWING IS UNPUBLISHED. RELEASED FOR PUBLICATION BY - ALL RIGHTS RESERVED.

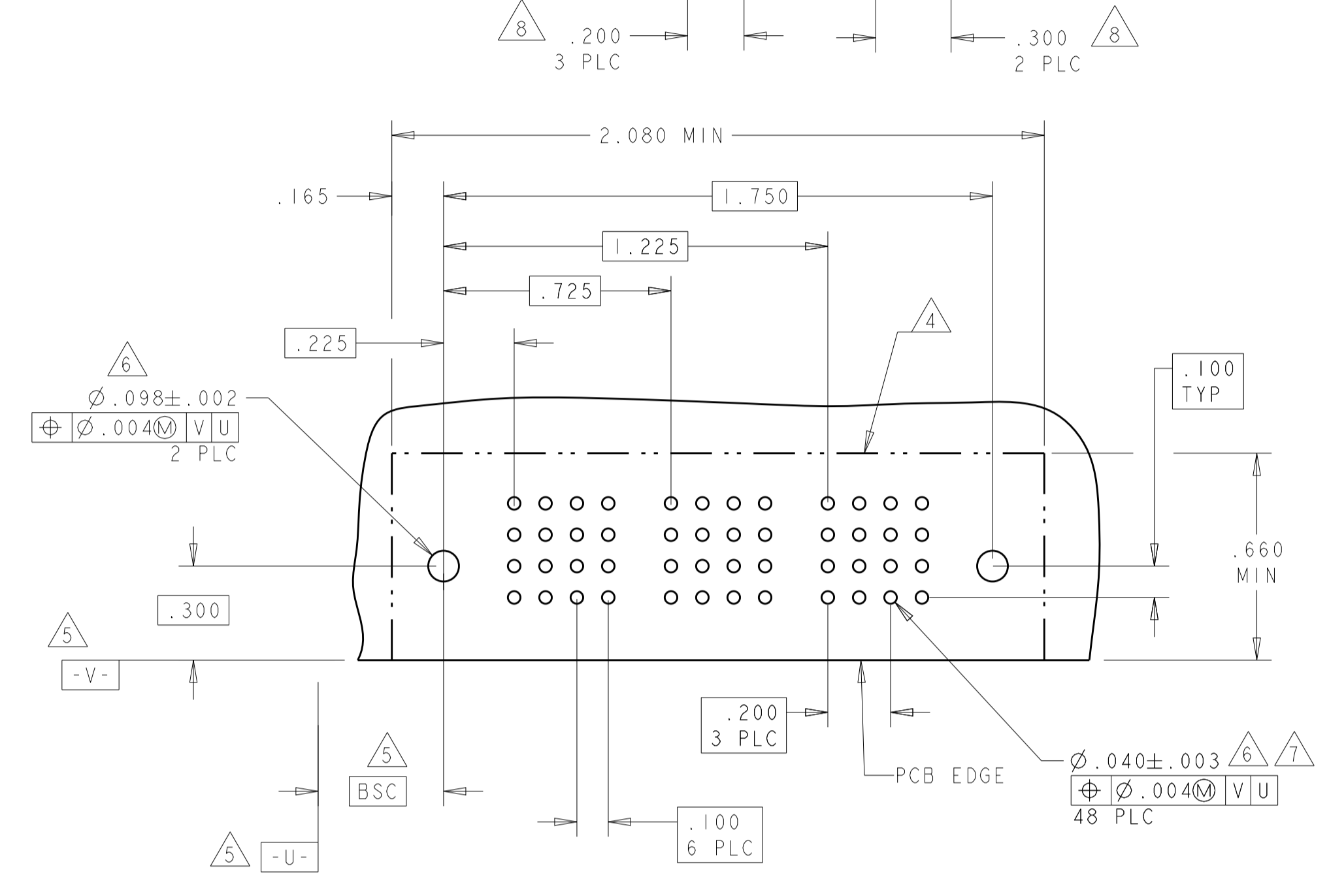
PART NUMBER	ROWS	POWER						
		P1	P2	P3	P4	P5	P6	P7
6450123-5	D C B A	PA	PA	PA	PA	PA	PA	PA
7P								



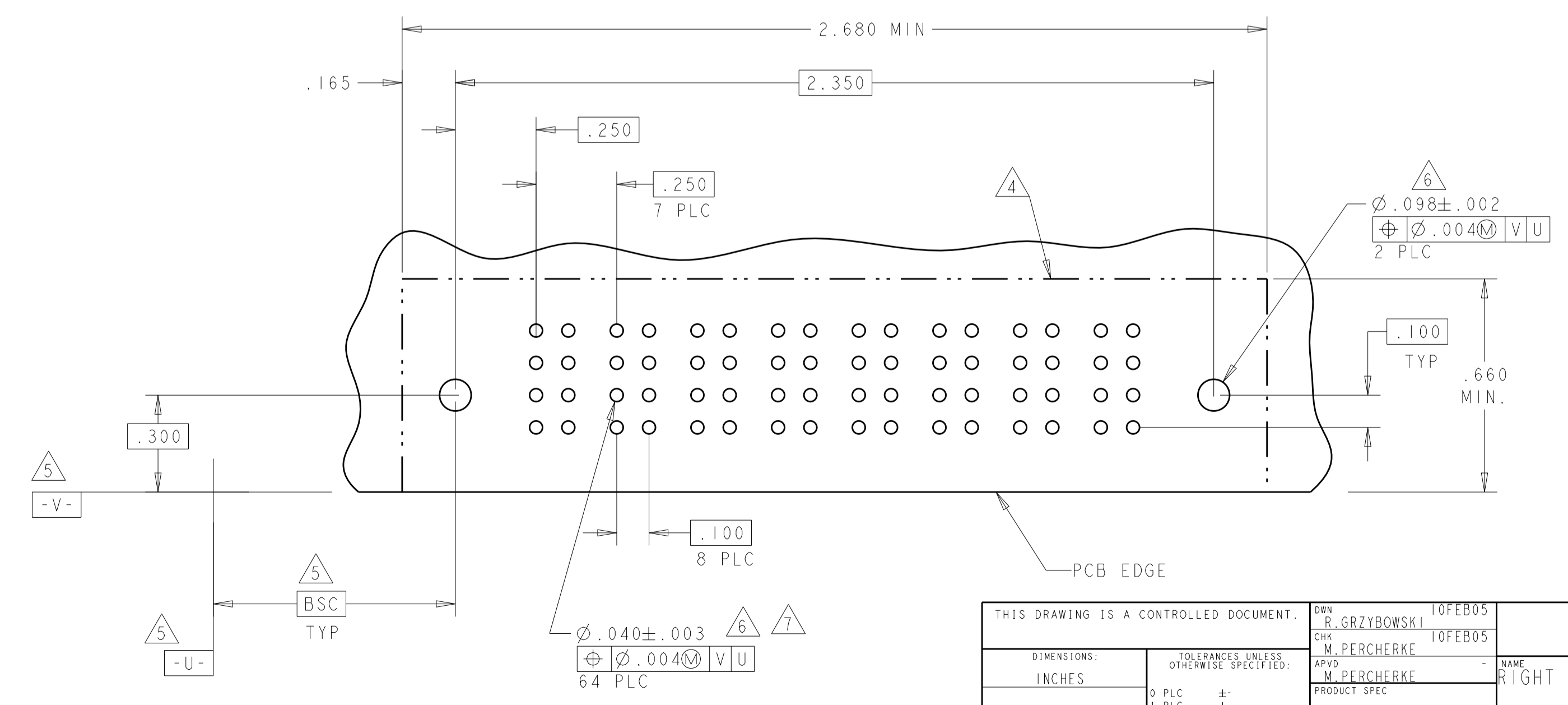
PART NUMBER	ROWS	POWER				
		P1	P2	P3	P4	P5
6450123-6	D C B A	PM	PM	PM	PM	PM
5P						



PART NUMBER	ROWS	POWER					
		P1	P2	P3	P4	P5	P6
6450123-7	D C B A	PM	PM	PM	PM	PM	PM
6P							



PART NUMBER	ROWS	POWER							
		P1	P2	P3	P4	P5	P6	P7	P8
6450123-8	D C B A	PM	PM	PM	PM	PM	PM	PM	PM
8P									



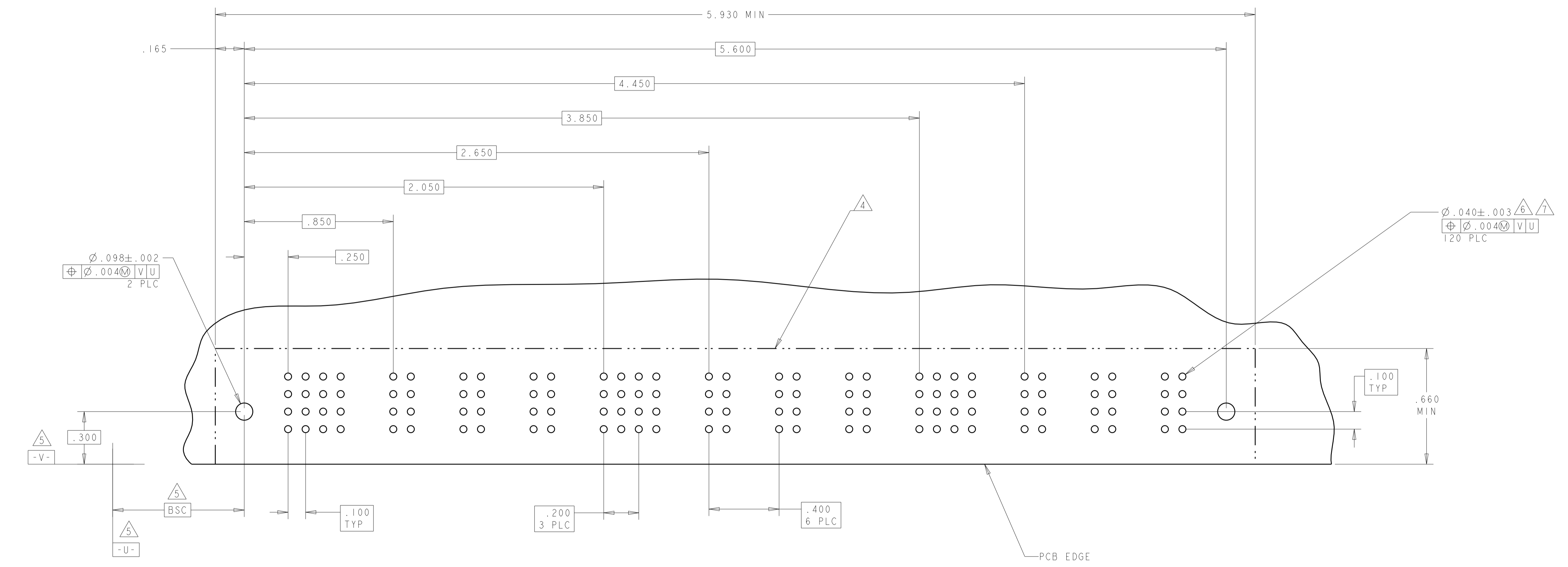
THIS DRAWING IS A CONTROLLED DOCUMENT.

DIMENSIONS: INCHES	TOLERANCES UNLESS OTHERWISE SPECIFIED:	DWN: R. GRZYBOWSKI	10FEB05
0 PLC ±.01	1 PLC ±.01	CHK: M. PERCHERKE	10FEB05
2 PLC ±.01	3 PLC ±.01	APVD: M. PERCHERKE	
4 PLC ±.005	5 PLC ±.005	NAME: RIGHT ANGLE HEADER ASSEMBLY W/GUIDES MULTI-BEAM XL	
6 PLC ±.002	ANGLES ±.0020	PRODUCT SPEC: 108-1973	
		APPLICATION SPEC: 114-13038	
MATERIAL: -	FINISH: -	SIZE: A1	CAGE CODE: 6450123
		WEIGHT: -	RESTRICTED TO: -
		CUSTOMER DRAWING	SCALE: 4:1 SHEET 3 OF 8 REV: C6

LOC	DIST	REVISIONS			
P	LTN	DESCRIPTION	DATE	DMN	APVD
-	-	SEE SHEET 1	-	-	-

PART NUMBER	ROWS	POWER																									
		P1	P2	P3	P4	P5	P6	P7	P8	P9	P10	P11	P12	P13	P14	P15	P16	P17	P18	P19	P20	P21	P22	P23	P24	P25	P26
1-6450123-1	D C B A	PM	PM	PM	PM	PM	PM	PM	PM	PM	PM	PM	PM	PM	PM	PM	PM	PM	PM	PM	PM	PM	PM	PM	PM	PM	PM
26P																											

NO CONTACTS LOADED



THIS DRAWING IS A CONTROLLED DOCUMENT.

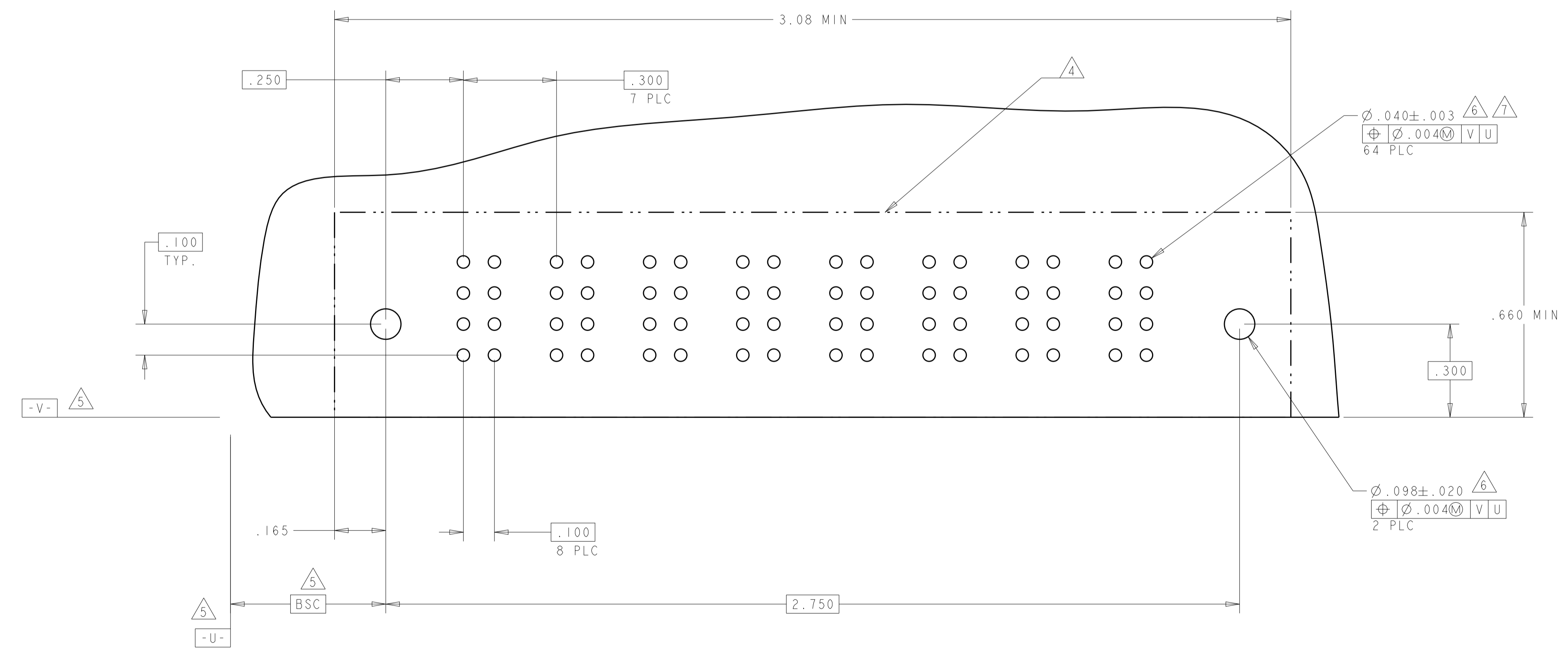
DIMENSIONS: INCHES	TOLERANCES UNLESS OTHERWISE SPECIFIED: 0 PLC ±. 1 PLC ±.01 2 PLC ±.01 3 PLC ±.005 4 PLC ±.0020 ANGLES ±.7°	FINISH	FINISH
-----------------------	--	--------	--------

OWN: R. GRZYBOWSKI	TOFEBOS	TE Connectivity
CHK: M. PERCHERKE	TOFEBOS	
APVD: M. PERCHERKE	NAME: RIGHT ANGLE HEADER ASSEMBLY W/GUIDES MULTI-BEAM XL	
PRODUCT SPEC: 108-1973	APPLICATION SPEC: 114-13038	SIZE: A1
WEIGHT: -	CAGE CODE: C=6450123	RESTRICTED TO: -
CUSTOMER DRAWING	SCALE: 4:1	SHEET 5 OF 8

REV: C6

LOC	DIST	REVISIONS			
P	LTN	DESCRIPTION	DATE	DMN	APVD
-	-	SEE SHEET 1	-	-	-

PART NUMBER	ROWS	POWER							
		P1	P2	P3	P4	P5	P6	P7	P8
1-6450123-4	D C B A	PM	PM	PM	PM	PM	PM	PM	PM
8P		HD							HD

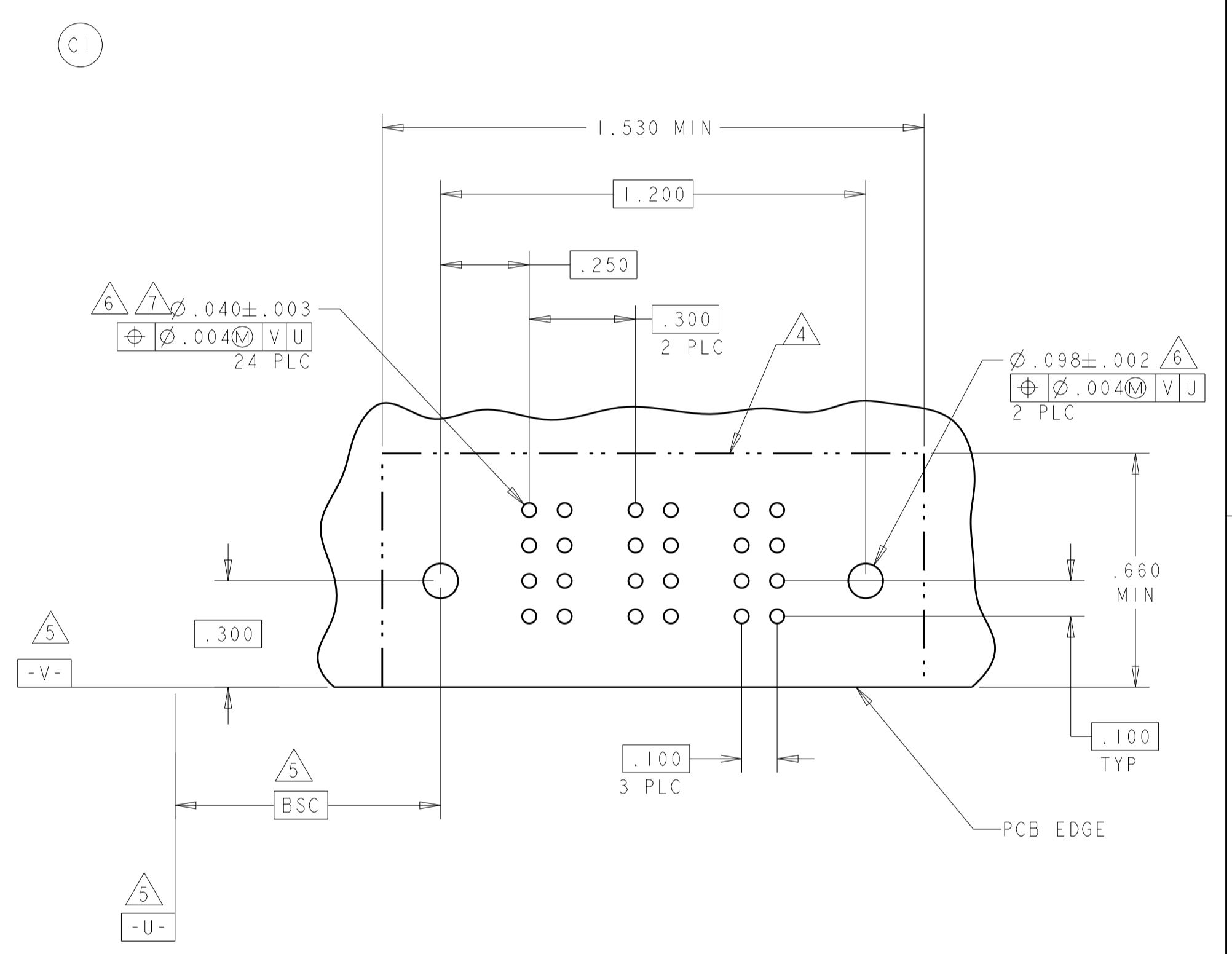
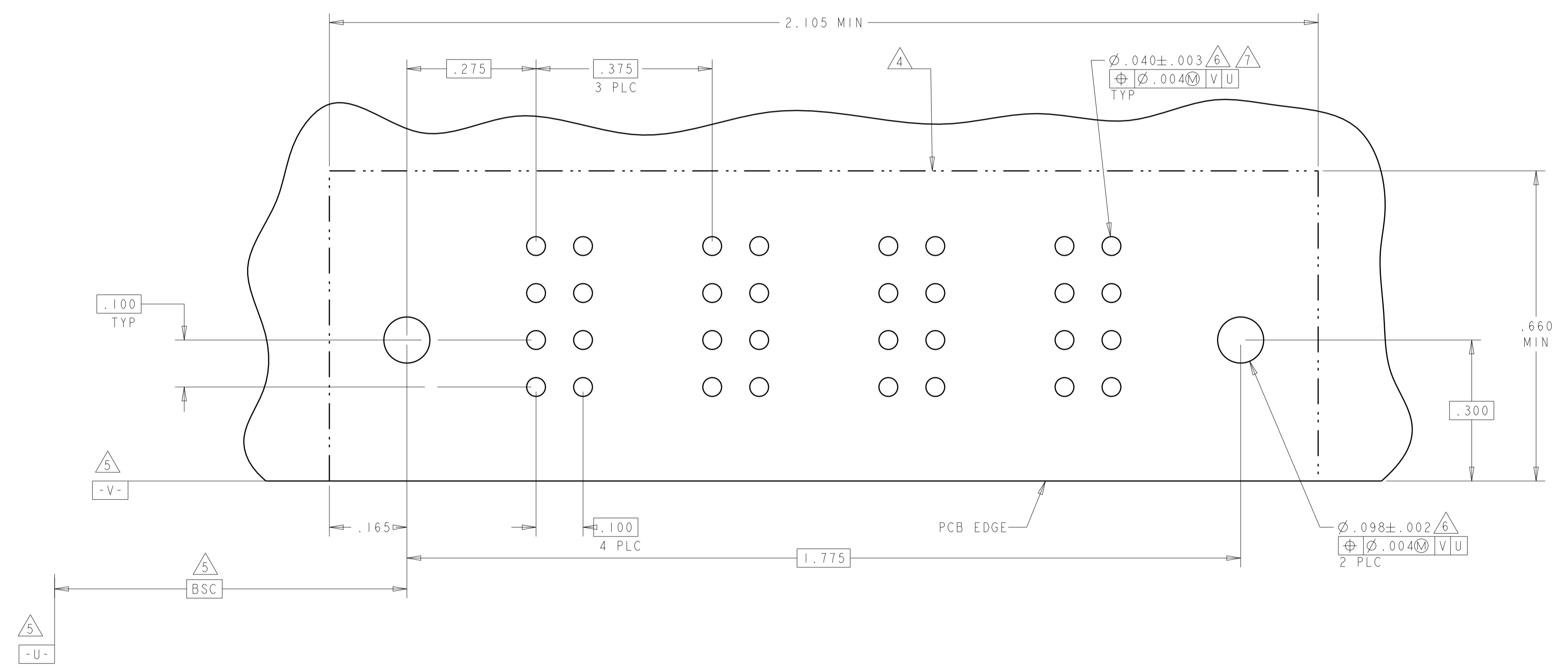


THIS DRAWING IS A CONTROLLED DOCUMENT.		DMN R. GRZYBOWSKI	10FEB05	TE Connectivity
DIMENSIONS: INCHES		CHK M. PERCHERKE	10FEB05	
TOLERANCES UNLESS OTHERWISE SPECIFIED: 0 PLC ± 1 PLC ±.01 2 PLC ±.01 3 PLC ±.005 4 PLC ±.0020 ANGLES ±.2°		APVD M. PERCHERKE	NAME RIGHT ANGLE HEADER ASSEMBLY W/GUIDES MULTI-BEAM XL	RESTRICTED TO
MATERIAL		PRODUCT SPEC 108-1973	APPLICATION SPEC 114-13038	SIZE A100779
FINISH		WEIGHT	CAGE CODE 6450123	DRAWING NO 6
CUSTOMER DRAWING		SCALE 4:1	SHEET 6 OF 8	REV C6

LOC	DIST	REVISIONS			
P	LTN	DESCRIPTION	DATE	DMN	APVD
GP	00	SEE SHEET 1	-	-	-

PART NUMBER	ROWS	POWER			
		P1	P2	P3	P4
1-6450123-5	D C B A	PM	PM	PM	PM
4P		HD			HD

PART NUMBER	ROWS	POWER		
		P1	P2	P3
1-6450123-6	D C B A	PM	PM	PM
3ACP		HD		HD

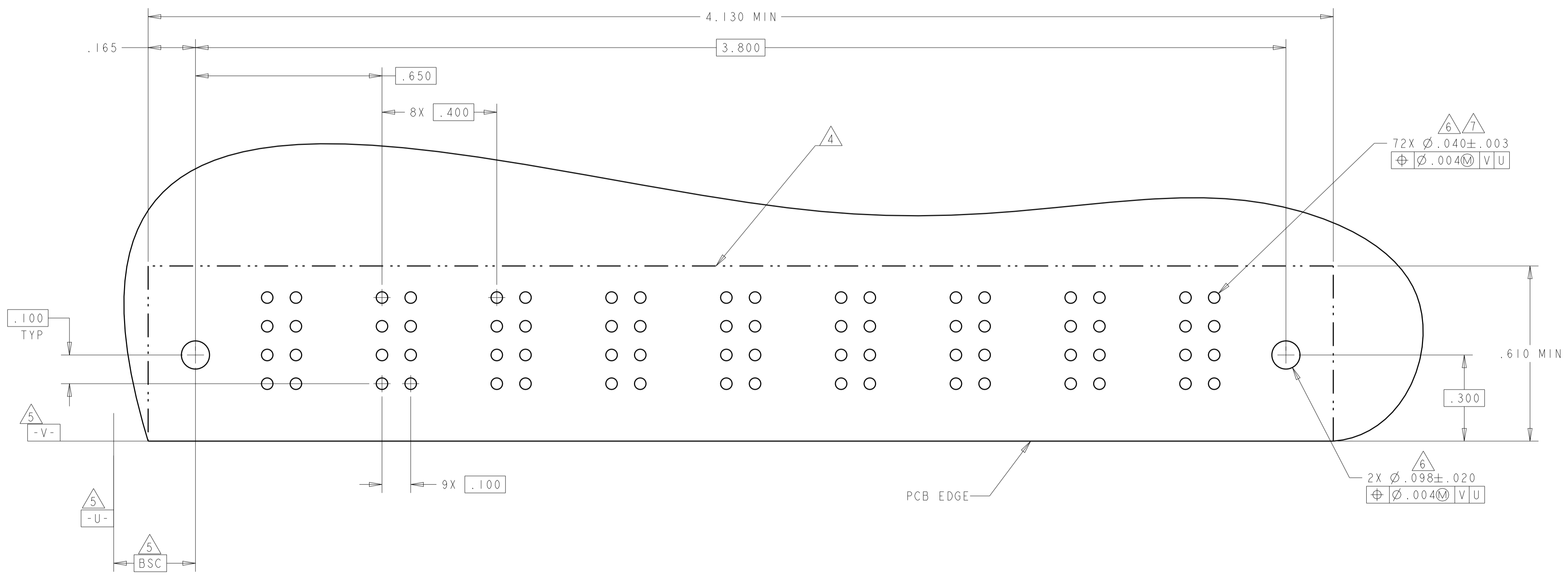
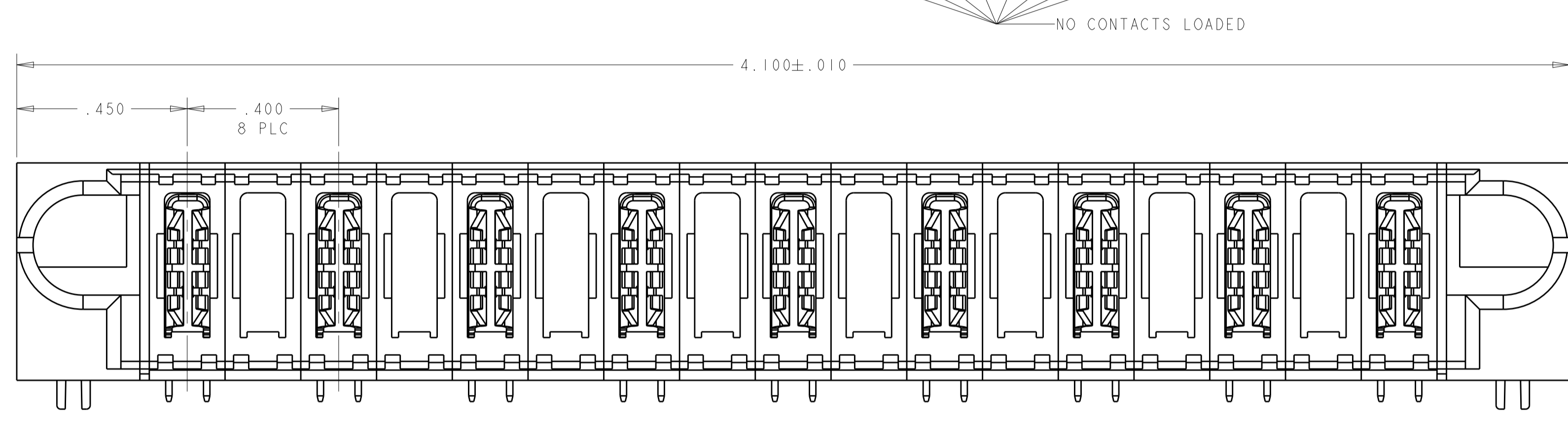


THIS DRAWING IS A CONTROLLED DOCUMENT.		DMN: R. GRZYBOWSKI	TOFEB05	TE Connectivity
DIMENSIONS: INCHES		CHK: M. PERCHERKE	TOFEB05	
TOLERANCES UNLESS OTHERWISE SPECIFIED:		APVD: M. PERCHERKE	NAME: RIGHT ANGLE HEADER ASSEMBLY W/GUIDES MULTI-BEAM XL	PRODUCT SPEC: 108-1973 APPLICATION SPEC: 114-13038 WEIGHT: - CUSTOMER DRAWING
0 PLC ±. 1 PLC ±.01 2 PLC ±.005 3 PLC ±.0020 4 PLC ±. ANGLES ±.020		SIZE: 114-13038 CAGE CODE: A100779 DRAWING NO: C=6450123	RESTRICTED TO: -	
MATERIAL: -		SCALE: 4:1		SHEET 7 OF 8
FINISH: -		REV: C6		

LOC	DIST	REVISIONS			
P	LTN	DESCRIPTION	DATE	DMN	APVD
-	-	SEE SHEET 1	-	-	-

PART NUMBER	ROWS	POWER																
		P1	P2	P3	P4	P5	P6	P7	P8	P9	P10	P11	P12	P13	P14	P15	P16	P17
I-6450123-8	D C B A	PM																
		HD																HD
17P																		

FOR PART I-6450123-8 MAX OPERATING VOLTAGE: 480VAC AND WITHSTAND HOT PLUG WITH 480VAC 0.1A



THIS DRAWING IS A CONTROLLED DOCUMENT.		DMN R. GRZYBOWSKI	10FEB05		TE Connectivity
DIMENSIONS: INCHES		CHK M. PERCHERKE	10FEB05		NAME RIGHT ANGLE HEADER ASSEMBLY W/GUIDES MULTI-BEAM XL
TOLERANCES UNLESS OTHERWISE SPECIFIED:		APVD M. PERCHERKE		PRODUCT SPEC	
0 PLC ±				108-1973	
1 PLC ±.01				APPLICATION SPEC	
2 PLC ±.005				114-13038	
3 PLC ±.0020				WEIGHT	
4 PLC ±.0020				A100779C=6450123	
ANGLES ±.2°				CUSTOMER DRAWING	
FINISH				SCALE 4:1 SHEET 8 OF 8 REV C6	

Mouser Electronics

Authorized Distributor

Click to View Pricing, Inventory, Delivery & Lifecycle Information:

[TE Connectivity:](#)

[6450123-2](#)