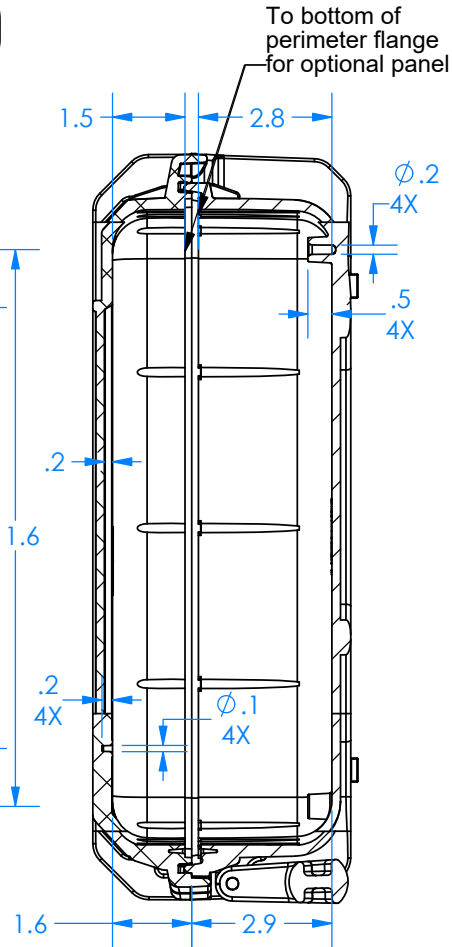
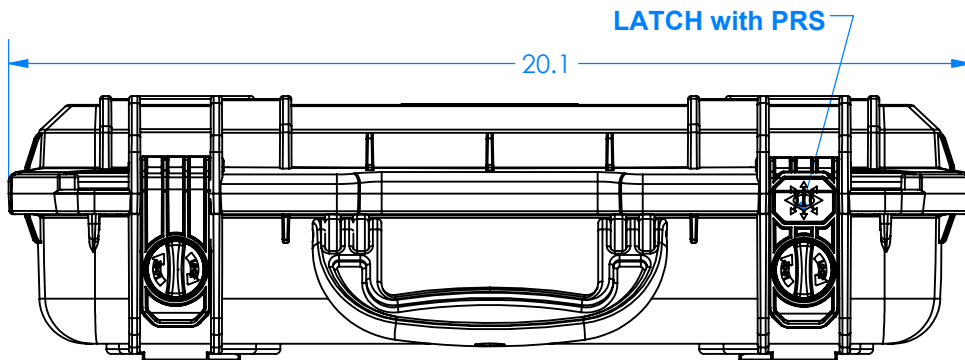
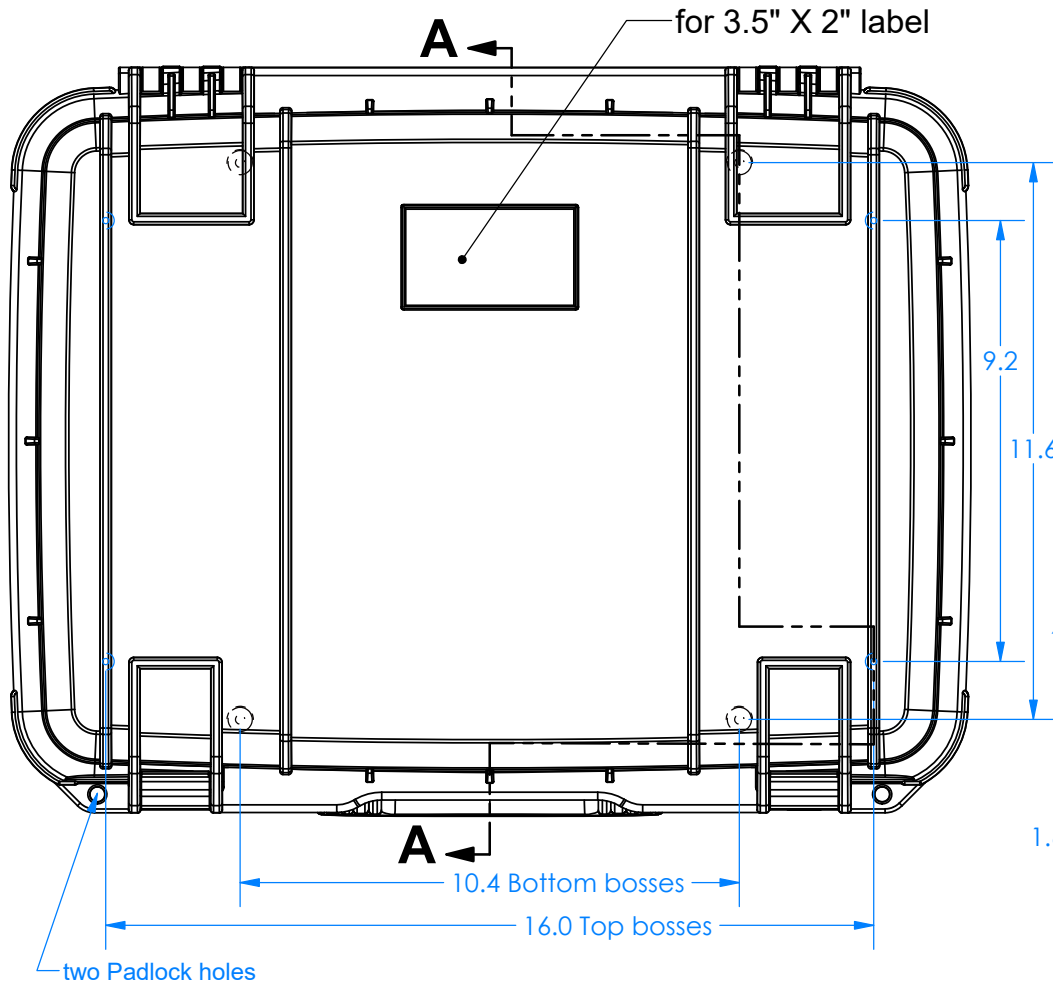
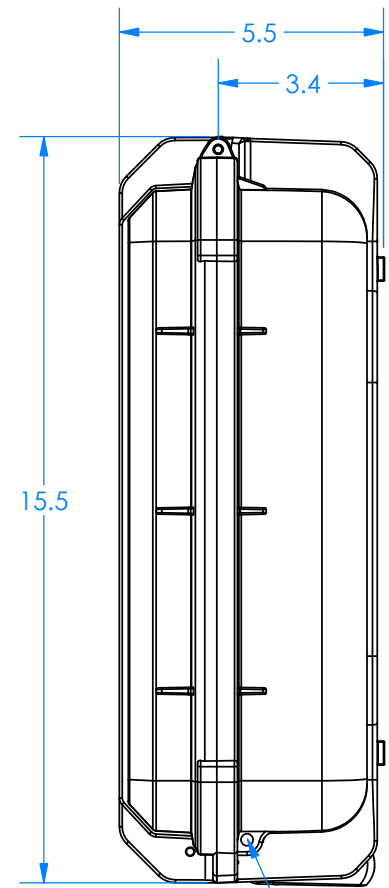


SERPAC SE710

ELECTRONIC ENCLOSURES



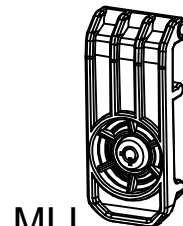
SECTION A-A



Holes for shoulder strap. PN 8704 (not included)

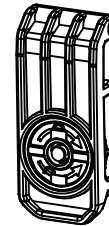
latch with metal lock

latch with plastic lock



MLL

Optional latches may be specified at time of order. See note 2



PLL

NOTES:

- 1) Max. usable inside dimensions are:
18 5/16" X 13 3/16" X 4 1/16"
(4 9/16" bottom of boss) (18.3" X 13.2" X 4.1")
- 2) With Metal Lock Latches p/n SE710ML and Plastic Lock Latches p/n SE710PL are optional.

10/23/15

Mouser Electronics

Authorized Distributor

Click to View Pricing, Inventory, Delivery & Lifecycle Information:

[SERPAC:](#)

[SE710F,YL](#) [SE710F,GM](#) [SE710F,OR](#) [SE710F,BK](#)