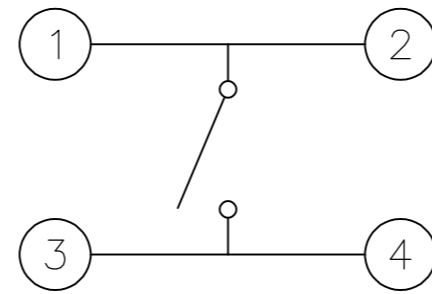
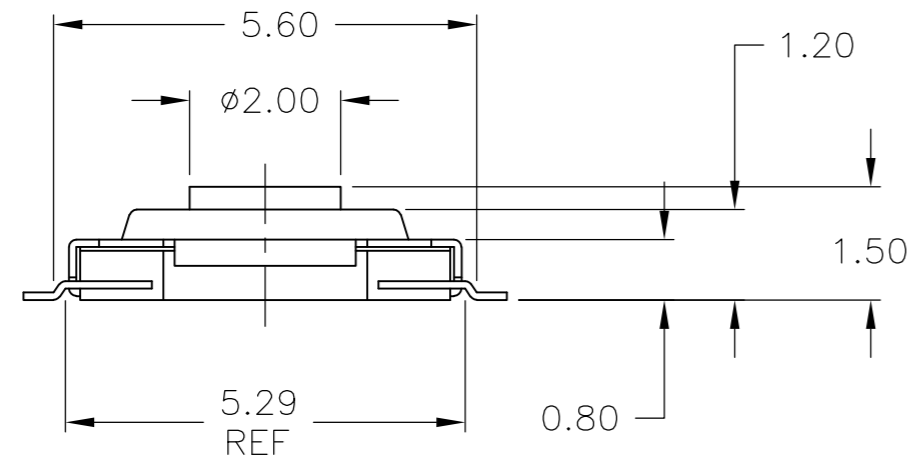
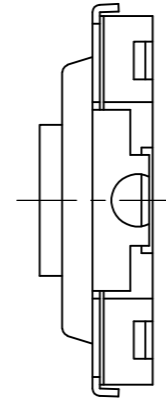
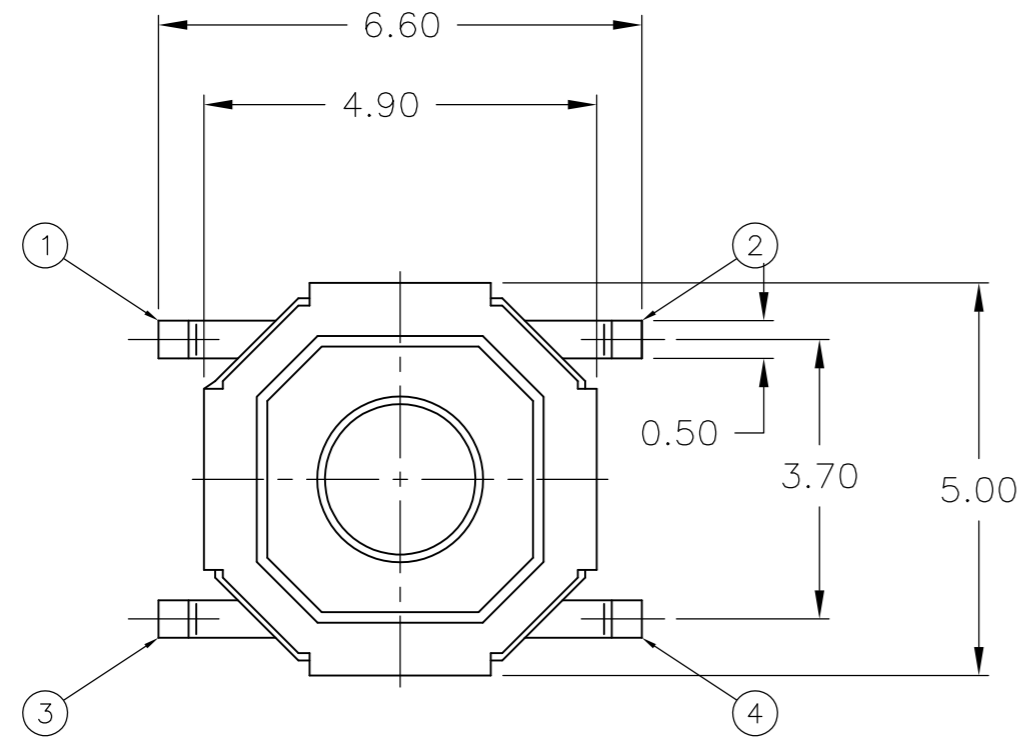
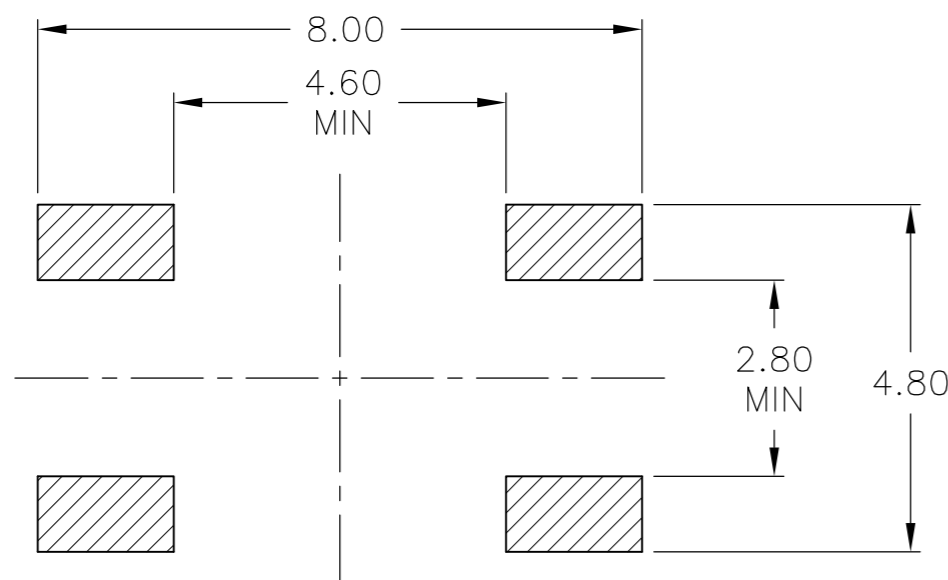


THIS DRAWING IS UNPUBLISHED. RELEASED FOR PUBLICATION
 © COPYRIGHT - By - ALL RIGHTS RESERVED.

LOC		DIST		REVISIONS			
P	LTR	DESCRIPTION		DATE	DWN	APVD	
	H3	REVISED PER ECO-14-009325		23JUN2014	NK	RH	



CIRCUIT DIAGRAM



P.C. BOARD LAYOUT

MATERIALS:

CASE: NYLON- 4/6 UL94V-0, COLOR- SEE CHART
 COVER: NICKEL SILVER
 ACTUATOR: COPPER ALLOY
 MOVING CONTACT: STAINLESS STEEL, SILVER FINISH
 FIXED CONTACT/TERMIAL: COPPER ALLOY, SILVER FINISH

ELECTRICAL:

MAX CONTACT RATING: 50MILLIAMPS@24V DC
 MIN CONTACT RATING: 10MICROAMPS@1V DC
 INITIAL CONTACT RESITANCE: 100 MILLIOHMS MAX
 INSULATION RESISTANCE: 100 MEGAOHMS @ 100 VDC MIN
 DIELECTRIC STRENGTH: 500 VDC
 LIFE EXPECTANCY: SEE TABLE

MECHANICAL:

ACTUATION FORCE: SEE TABLE
 ACTUATION TRAVEL: 0.25 +0.1/-0.2

ENVIROMENTAL:

OPERATING TEMPERATURE: -35°C TO 85°C
 STORAGE TEMPERATURE: -35°C TO 85°C
 SOLDER HEAT RESISTANCE, PER TEC-109-201 COND B.

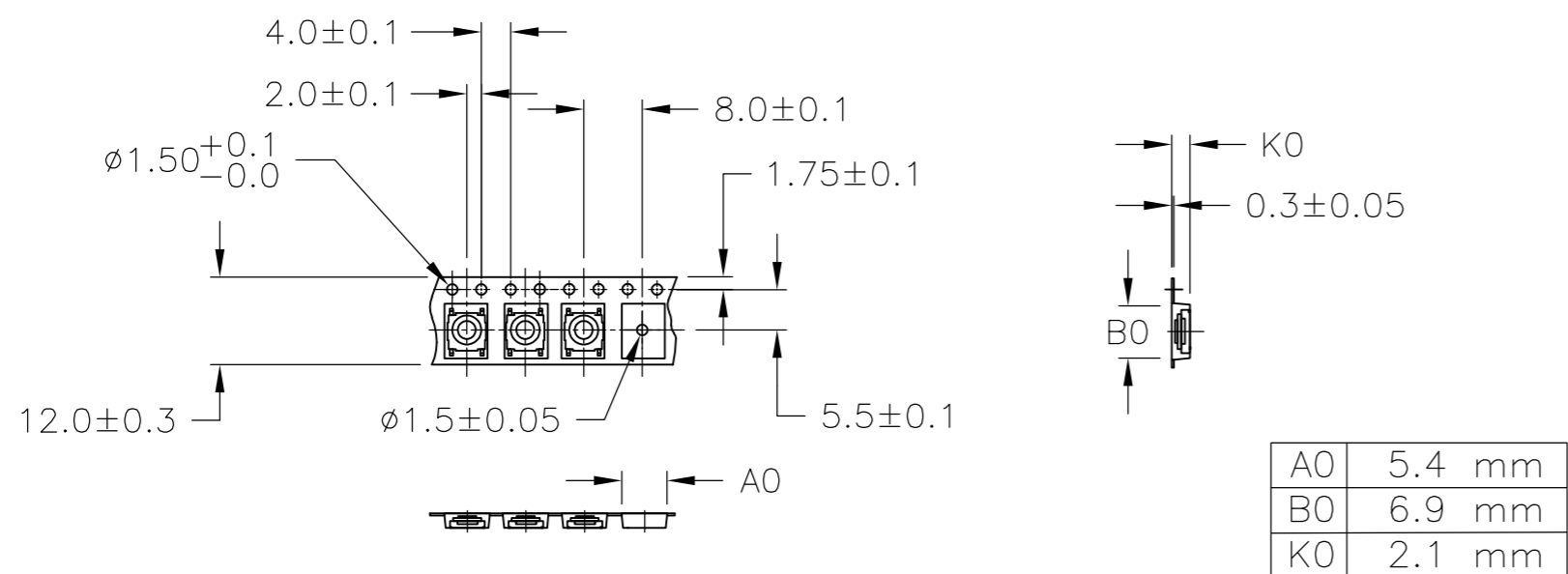
- 1 TAPE AND REEL PER EIA 481, 4,000 PCS, PER REEL, TAPE WIDTH 12.00MM, PITCH 8.00MM
- 2 ALL MATERIALS AND FINISHES SHALL COMPLY WITH EU DIRECTIVE 2002/95/EC OF 27JAN2003 (ROHS)

MIN 500,000	FSMCTATR	260±50gf	IVORY	8-1437565-1
MIN 1,000,000	FSMCTTR	160±50gf	BLACK	8-1437565-0
LIFE CYCLES	FORMER T&B PART	ACTUATION FORCE	CASE COLOR	PART NUMBER
THIS DRAWING IS A CONTROLLED DOCUMENT.		DWN M.BINNER 18MARG4	TE Connectivity MICRO MINIATURE PUSHBUTTON SWITCH	
DIMENSIONS: mm		CHK M.SARVER 23MARG4		
TOLERANCES UNLESS OTHERWISE SPECIFIED:		APVD M.SARVER 23MARG4		
0 PLC ± - 1 PLC ± - 2 PLC ± .20 3 PLC ± - 4 PLC ± - ANGLES ± 1° FINISH -		PRODUCT SPEC -		
MATERIAL -		APPLICATION SPEC -	SIZE A2	CAGE CODE 00779
		WEIGHT -	DRAWING NO C=8-1437565-0	
		CUSTOMER DRAWING		RESTRICTED TO -
		SCALE 10:1	SHEET 1 of 2	REV H3

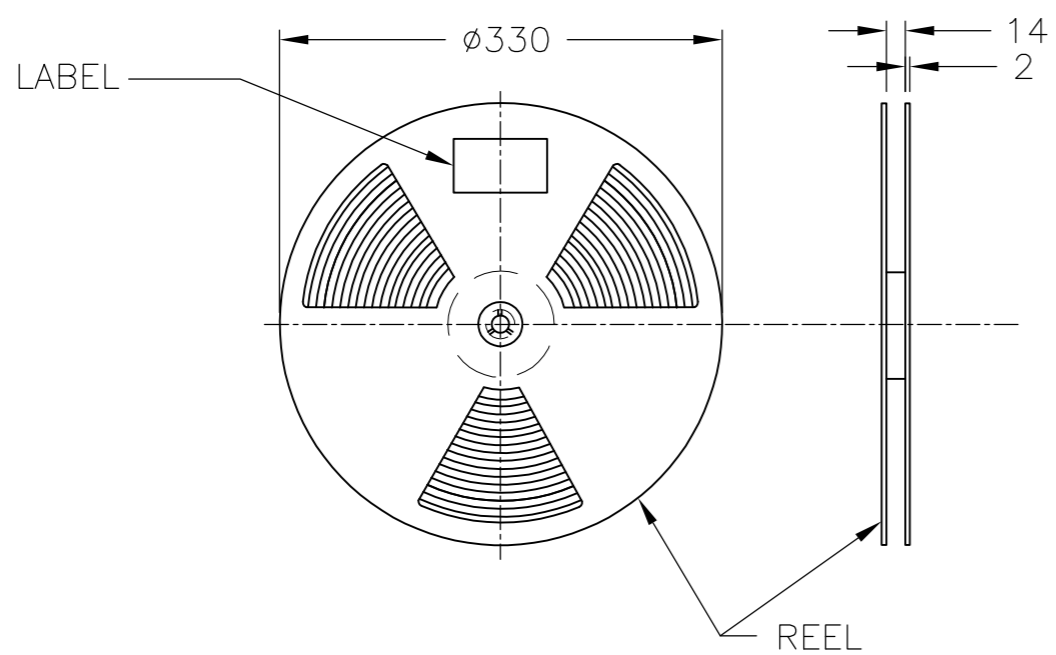
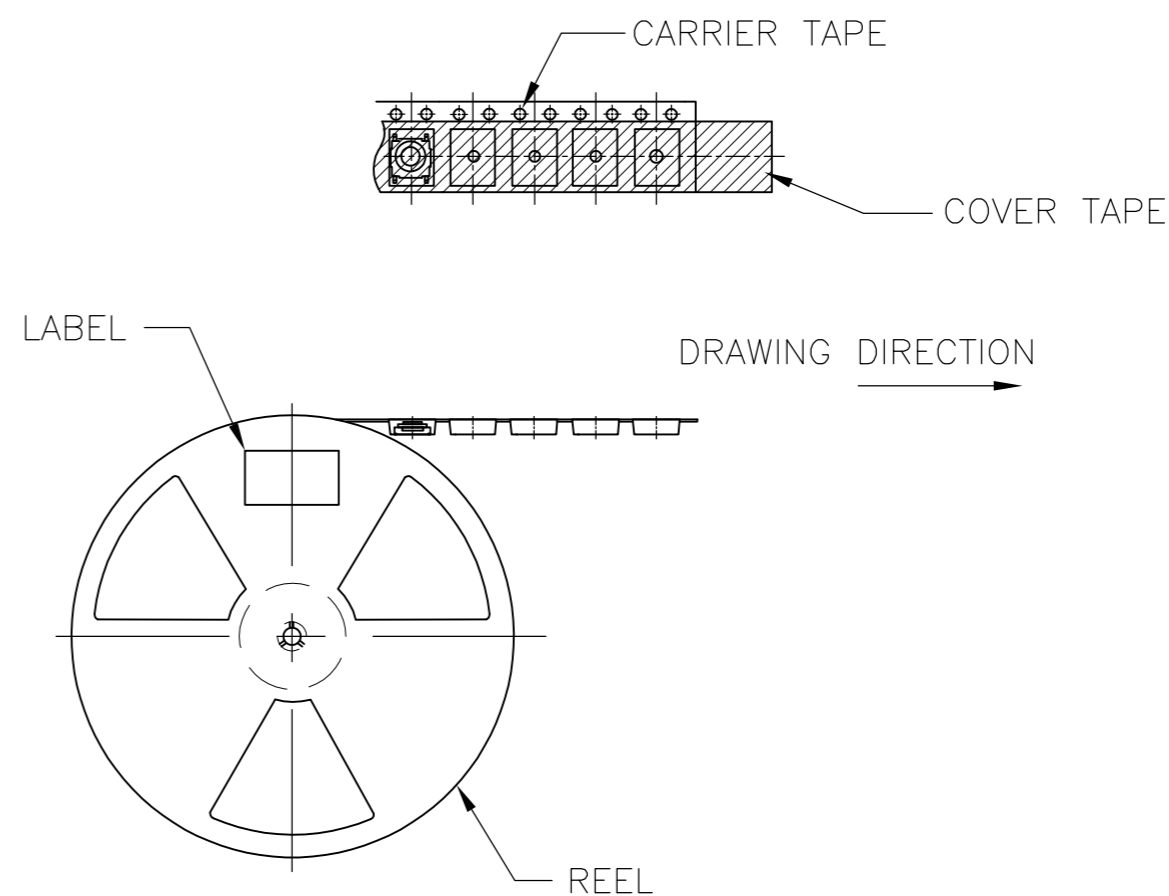
THIS DRAWING IS UNPUBLISHED. RELEASED FOR PUBLICATION
 © COPYRIGHT - By - ALL RIGHTS RESERVED.

LOC		DIST		REVISIONS			
P	LTR	DESCRIPTION	DATE	DWN	APVD		
-	-	SEE SHEET 1	-	-	-	-	-

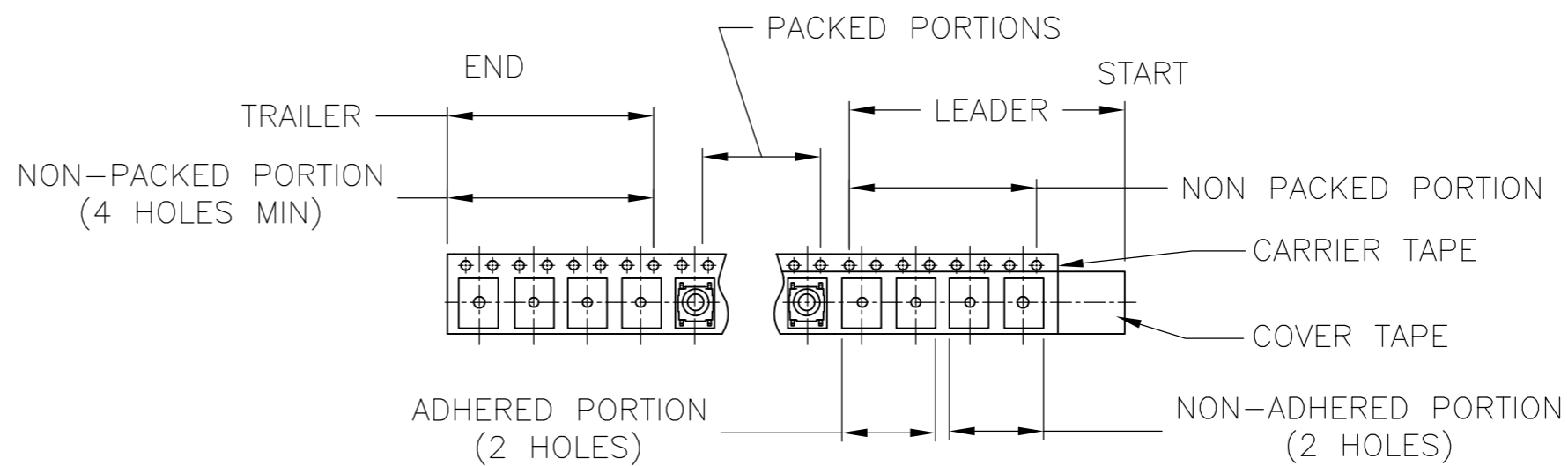
THE DIMENSION OF CARRIER TAPE, COVER TAPE AND REEL



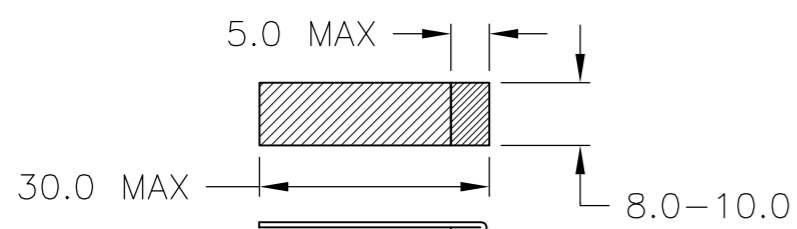
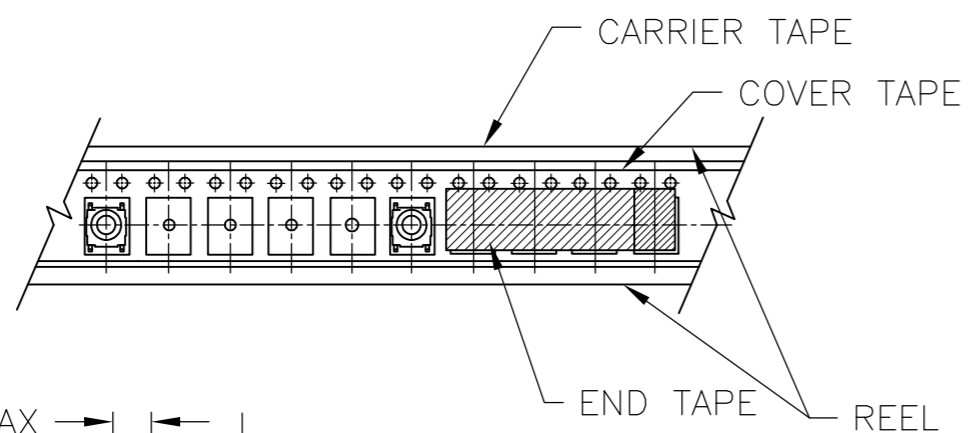
THE DIRECTION OF PILOT HOLES



THE DIRECTION OF PILOT HOLES



END TAPE



1 4.000 PCS SWITCHES PER 1 REEL

THIS DRAWING IS A CONTROLLED DOCUMENT.		DWN	M.BINNER	18MAR04		TE Connectivity						
DIMENSIONS: mm		CHK	M.SARVER	23MAR04		NAME						
TOLERANCES UNLESS OTHERWISE SPECIFIED:		APVD	M.SARVER	23MAR04		PRODUCT SPEC						
0 PLC ± - 1 PLC ± - 2 PLC ± .20 3 PLC ± - 4 PLC ± - ANGLES ± 1°		APPLICATION SPEC		MICRO MINIATURE PUSHBUTTON SWITCH								
MATERIAL	FINISH	WEIGHT	-		SIZE	A2	CAGE CODE	00779	DRAWING NO	C=8-1437565-0	RESTRICTED TO	-
-		-		CUSTOMER DRAWING		SCALE	1:1	SHEET	2 OF 2	REV	H3	

Mouser Electronics

Authorized Distributor

Click to View Pricing, Inventory, Delivery & Lifecycle Information:

[TE Connectivity:](#)

[FSMCTTR](#)