

**PLEASE CHECK WWW.MOLEX.COM FOR LATEST PART INFORMATION**

**Part Number:** [0639102600](#)  
**Status:** **Active**  
**Overview:** [Application Tooling](#)  
**Description:** T2 Terminator for Insulation OD 2.50-2.95mm, 18-24 AWG

**Documents:**  
[RoHS Certificate of Compliance \(PDF\)](#)

**General**

Product Family	Application Tooling
Series	<a href="#">207122</a>
Comments	See Tooling Specification (PDF) Above, See Tooling Specification (PDF) Above
Function	Crimp
Geographic Area	Global
Level of Automation	Semi-Automatic
More Detailed Tech Information	<a href="mailto:applicationtooling@molex.com">applicationtooling@molex.com</a>
Overview	<a href="#">Application Tooling</a>
Product Name	T2
Tool Type	Terminator Die
UPC	800756901589
Warranty Disclaimer	CAUTION: Molex tooling crimp specifications are valid only when used with Molex terminals and tooling manufactured by Molex and sold by Molex or authorized distributors ("Molex Tooling"). When using tooling other than Molex Tooling with Molex specific connector systems listed in our ATS documents, the Molex tooling qualification does not apply and the responsibility for full qualification of the connector system is that of the customer. Molex accepts no liability for connector performance or tooling support where tooling other than Molex Tooling is used or where Molex Tooling is modified.

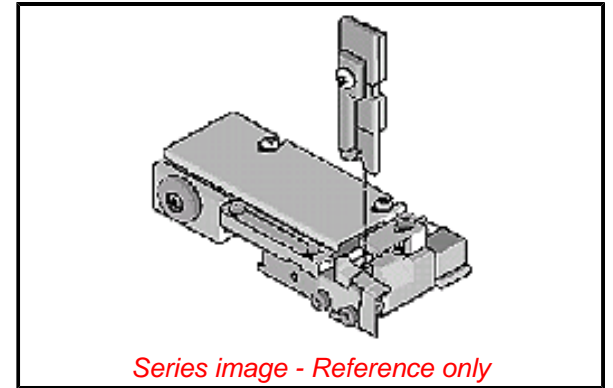
**Physical**

Net Weight 854.521/g

**Material Info**

**Reference - Drawing Numbers**

Application Tooling Documents  
ATS-639102600, TM-638000029-001, TM-638000029CN-001, TM-638000029DE-001, TM-638000029FR-001, TM-638000029IT-001, TM-638000029JP-001, TM-638000029KR-001, TM-638000029MY-001, TM-638000029PL-001, TM-638000029RU-001, TM-638000029SK-001, TM-638000029SP-001, TM-638000029TH-001, TM-638000029TW-001, TM-638000029VN-001, TM-638500090, TM-638500090SP



**EU ELV**

**Not Relevant**

**EU RoHS**

**Not Reviewed**

**REACH SVHC**

Not Reviewed

**Halogen-Free**

**Status**

**Not Relevant**

For more information, please visit [Contact US](#)

China ROHS

Not Relevant

ELV

Not Relevant

RoHS Phthalates

Not Reviewed

**Search Parts in this Series**

[207122 Series](#)

**Use With**

Molex TM-42 Press [690025001](#) and Base Unit [11193001](#) for the 3BF Press

**Application Tooling | FAQ**

Description	Product #
-------------	-----------

Mini-Fit Jr.	<a href="#">304901002</a>
--------------	---------------------------

Grounding Pin, 18-24 AWG, Reel, Phosphor Bronze, Tin or Select Gold (Au)

Mini-Fit Jr. Crimp Grounding Terminal, Male, with Tin (Sn) Plated Phosphor Bronze Contact, 18-24 AWG, Reel	<a href="#">304902002</a>
--	---------------------------

Mini-Fit Female Crimp Terminal, Tin (Sn) over Copper (Cu) Plated Brass, 18-24 AWG, Reel

Mini-Fit Female Crimp Terminal, Tin (Sn) over Copper (Cu) Plated Brass, 18-24 AWG, Reel	<a href="#">39000038</a>
---	--------------------------

Mini-Fit Female Crimp Terminal, Tin (Sn) over Copper (Cu) Plated Brass, 18-24 AWG, Reel

Mini-Fit Male Crimp 39000040  
Terminal, Tin  
(Sn) over Copper  
(Cu) Plated Brass  
Contact, 18-24 AWG,  
Reel

Mini-Fit Female 39000059  
Crimp Terminal, Tin  
(Sn) over Phosphor  
Bronze, 18-24 AWG,  
Reel

Mini-Fit Male Crimp 39000061  
Terminal, Tin (Sn)  
over Phosphor  
Bronze, 18-24 AWG,  
Reel

Mini-Fit Female 39000073  
Crimp Terminal,  
Selective Gold (Au)  
and Selective Tin  
(Sn) over Nickel (Ni),  
18-24 AWG, Reel

Mini-Fit Male Crimp 39000075  
Terminal, Brass,  
Gold (Au) Contact  
Plating, Lead-free,  
18-24 AWG, Reel

Mini-Fit Male Crimp 39000120  
Terminal, Tin  
(Sn) Plated Brass  
Contact, 18-24 AWG,  
Reel

Mini-Fit Male Crimp 39000121  
Terminal, Tin  
(Sn) Plated Brass  
Contact, 18-24 AWG,  
Bag

Mini-Fit Male Crimp 39000126  
Terminal, Tin (Sn),  
Phosphor Bronze,  
18-24 AWG, Reel

Mini-Fit Female 39000181  
Crimp Terminal,  
Selective Gold (Au)  
over Phosphor  
Bronze, 18-24 AWG,  
Reel

Mini-Fit Female 39000207  
Crimp Terminal, Tin  
(Sn) over Nickel (Ni),  
18-24 AWG, Reel

Mini-Fit Female 39000213  
Crimp Terminal, Tin  
(Sn) over Phosphor  
Bronze, 18-24 AWG,  
Reel

Mini-Fit Male Crimp 39000219  
Terminal, Phosphor  
Bronze, Gold (Au),  
18-24 AWG, Reel

Mini-Fit Female 39000428  
Crimp Terminal,  
Selective Gold (Au)  
and Selective Tin

(Sn) over Nickel (Ni),  
18-24 AWG, Reel  
Mini-Fit Male Crimp 39000430  
Terminal, Brass,  
Gold (Au) Contact  
Plating, Lead-free,  
18-24 AWG, Reel  
Mini-Fit Plus Crimp 457501111  
Terminal, 18-20  
AWG, Reel, Copper  
(Cu) Alloy, Tin (Sn)  
Mini-Fit Plus Crimp 457501211  
Terminal, 18-20  
AWG, Reel, Copper  
(Cu) Alloy, Gold (Au)  
Selective  
Mini-Fit Plus Crimp 460121141  
Terminal, 18-20  
AWG, Reel, Tin (Sn)  
Plating  
Mini-Fit Plus 460121241  
Crimp Terminal,  
18-20 AWG, Reel,  
Selective Gold (Au)  
Plating 0.76µm  
Mini-Fit Plus High 460181541  
Mating Cycle Female  
Crimp Terminal,  
18-20 AWG,  
Reel, Select Gold  
(Au) Plating with  
Proprietary Molex  
Advanced Contact  
Surface Finish (CSF)  
in Contact Area

This document was generated on 06/05/2019

**PLEASE CHECK [WWW.MOLEX.COM](http://WWW.MOLEX.COM) FOR LATEST PART INFORMATION**

# Mouser Electronics

Authorized Distributor

Click to View Pricing, Inventory, Delivery & Lifecycle Information:

[Molex:](#)

[63910-2600](#)