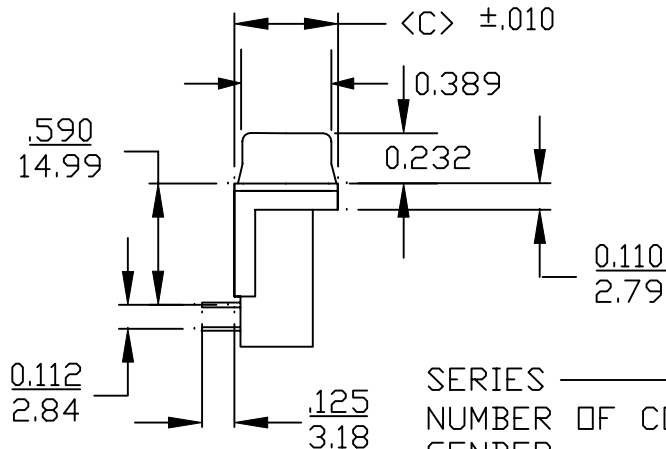
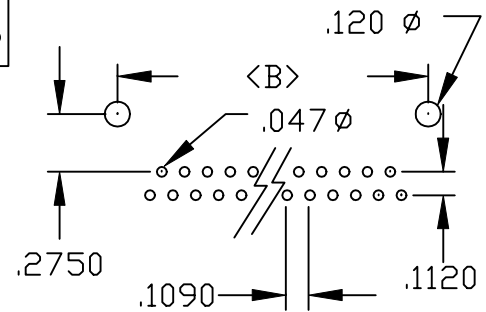
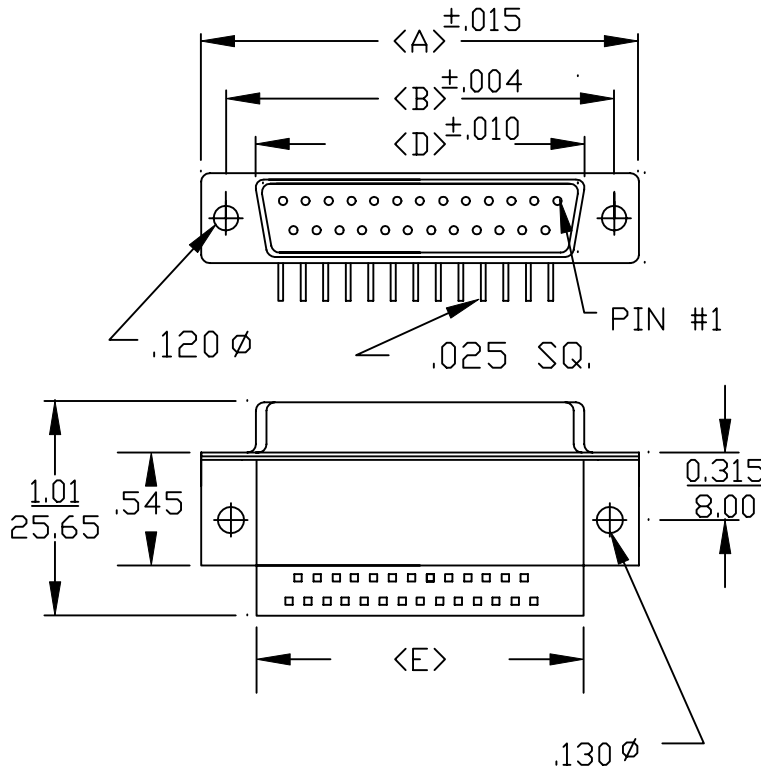


DESCRIPTION: **RIGHT ANGLE .590" FEMALE PLASTIC D-SUB**



POS.	A	B	C	D	E
09	1.213	0.984	0.496	0.646	0.700
	30.80	24.99	12.60	16.40	17.78
15	1.543	1.312	0.496	0.974	1.402
	39.19	33.32	12.60	24.74	26.47
25	2.087	1.852	0.496	1.514	1.595
	53.00	47.04	12.60	38.46	40.51
37	2.732	2.500	0.496	2.162	2.231
	69.30	63.50	12.60	54.91	56.67

SPECIFICATIONS:

MATERIALS:

INSULATOR: UL 94V-0 RATED BLACK
 GLASS FILLED POLYESTER
 CONTACTS: PHOSPOR BRONZE - GOLD FLASH (STD)

ELECTRICALS:

CURRENT RATING: 5 AMPS
 DIELECTRIC STRENGTH: 1000V AC RMS
 INSULATION RESISTANCE: 1000 meg OHMS
 CONTACT RESISTANCE: 10 MILLIOHMS MAX.
 TEMPERATURE: -55°C TO +105°C

SERIES _____ 177-XXX-21X-XX1

NUMBER OF CONTACTS _____

GENDER: _____

1 = MALE
 2 = FEMALE

PC MOUNT _____

SHELL MATERIAL _____

0 = ALL PLASTIC
 2 = TIN SHELL

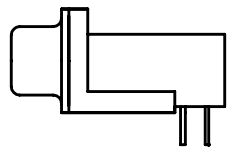
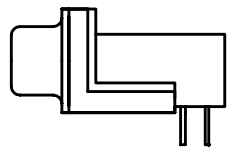
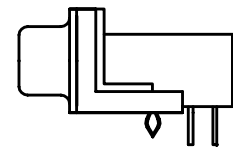
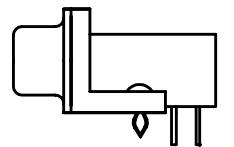
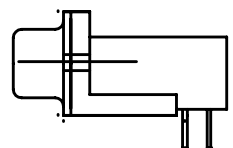
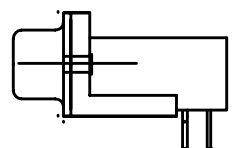
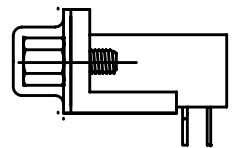
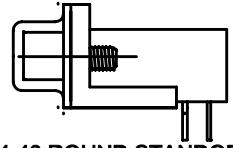
HARDWARE OPTIONS: _____
 (SEE PAGE 2)


PLATING: _____

1 = GOLD FLASH
 2 = 30 MICRO-INCH GOLD

	THESE DRAWINGS AND SPECIFICATIONS ARE THE PROPERTY OF NorComp AND SHALL NOT BE REPRODUCED, COPIED OR USED AS THE BASIS FOR THE MANUFACTURE OR SALE OF APPARATUS WITHOUT WRITTEN PERMISSION.		DRAWN: PAM JENKINS	DATE: 9-23-98	
	<h1>NorComp</h1>			CHECKED:	DATE:
SCALE:				SHEET 1 OF 2	REV 6
DWG NO.				177-XXX-21X-XX1	

DESCRIPTION: 177 SERIES HARDWARE

	 PLASTIC SHELL	 METAL SHELL WITH INSIDE GROUND STRAPS	 METAL SHELL WITH RETAINING CLIP GROUND	 PLASTIC SHELL WITH PLASTIC SNAP LOCK
 .120" DIA. HOLE	06	16	36	S6
 4-40 FLUSH INSERT	07	17	37	S7
 4-40 HEX STANDOFF FEMALE SCREWLOCK	08	18	38	S8
 4-40 ROUND STANDOFF FEMALE SCREWLOCK	09	19	39	S9 with washers

	THESE DRAWINGS AND SPECIFICATIONS ARE THE PROPERTY OF NorComp AND SHALL NOT BE REPRODUCED, COPIED OR USED AS THE BASIS FOR THE MANUFACTURE OF SALE OF APPARATUS WITHOUT WRITTEN PERMISSION.		DRAWN: PAM JENKINS CHECKED:	DATE: 11-3-98 DATE:
	<h1>NorComp</h1>		SCALE:	SHEET 2 OF 2 REV 3
			DWG NO. 177 SERIES HARDWARE	