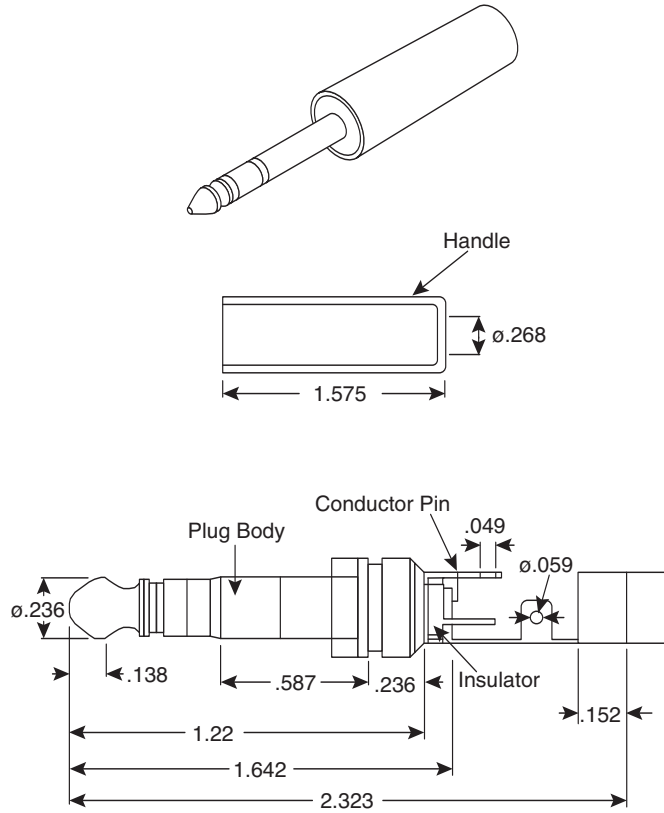


# Non-Shielded 1/4" Plug

17PP080



Non-Shielded 1/4" Plug



Dimensions: In.

MATERIALS	
Handle:	ABS Plastic
Plug Body:	Brass Plated Nickel
Insulator:	Plastic
Conductor Pin:	Iron Plated Nickel
Color:	Black

Date Last Revised: 4-18-05

Available from Mouser Electronics  
1-800-346-6873  
www.mouser.com

KC-300547

17PP080

# Mouser Electronics

Authorized Distributor

Click to View Pricing, Inventory, Delivery & Lifecycle Information:

[Kobiconn:](#)

[17PP080](#)