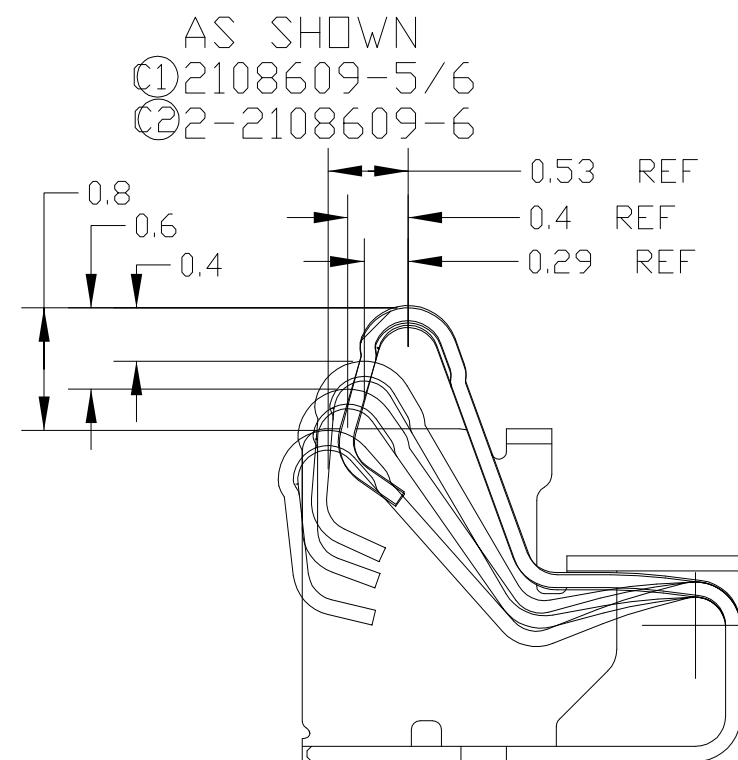
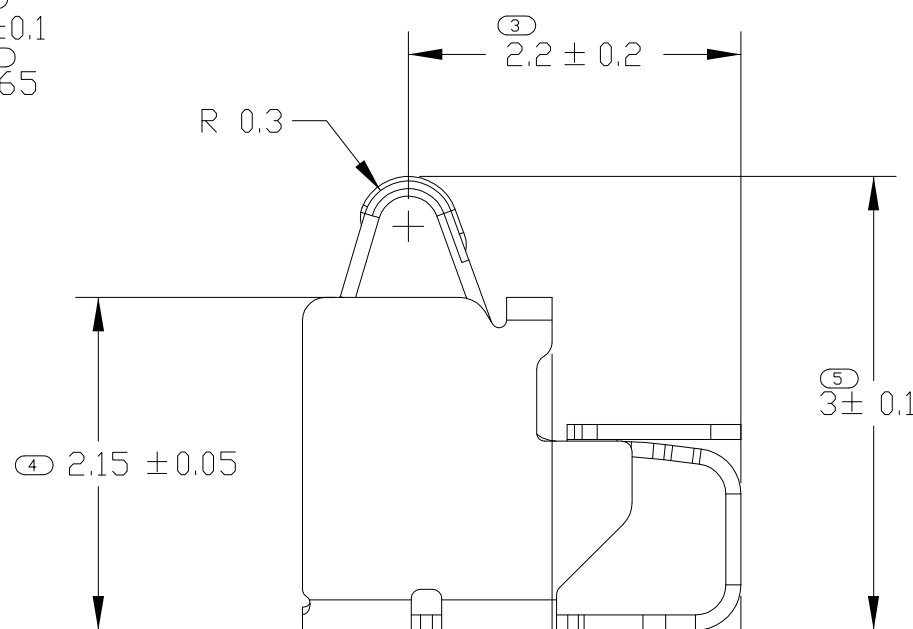
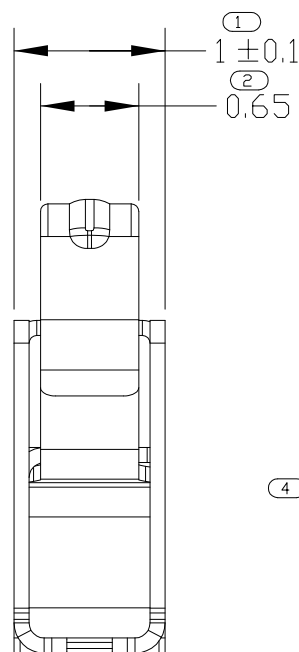
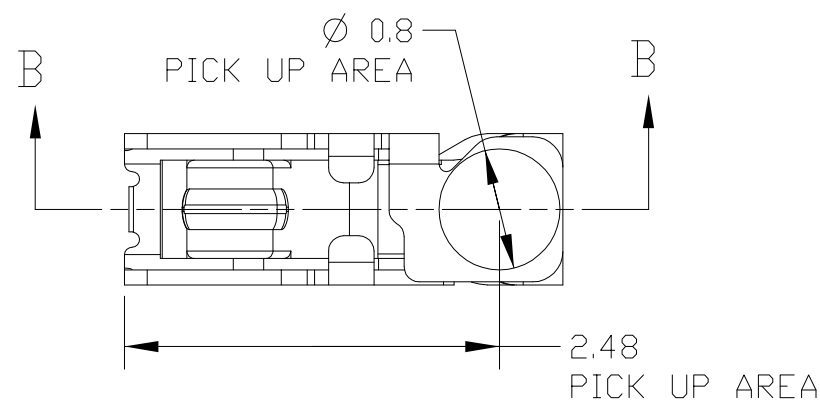
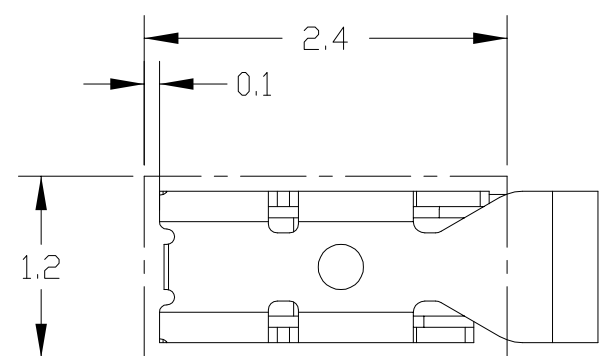


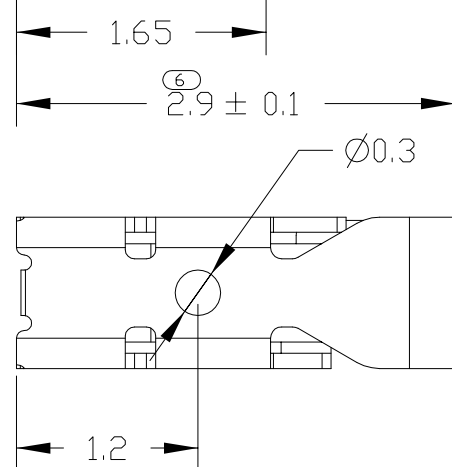
LOC	DIST	REVISIONS					
		P	LTR	DESCRIPTION	DATE	DWN	APVD
-	-		B	REVISED	05JUNE2013	IC.K	JH.K
			C	REVISED	10JUNE2013	IC.K	JH.K
			C1	REVISED	25FEB2014	IC.K	JH.K
			C2	REVISED	06FEB2015	IC.K	JH.K



SECTION B-B
STROKE CONDITION(REFERENCE)



RECOMMENDED PCB LAYOUT
(REFERENCE)



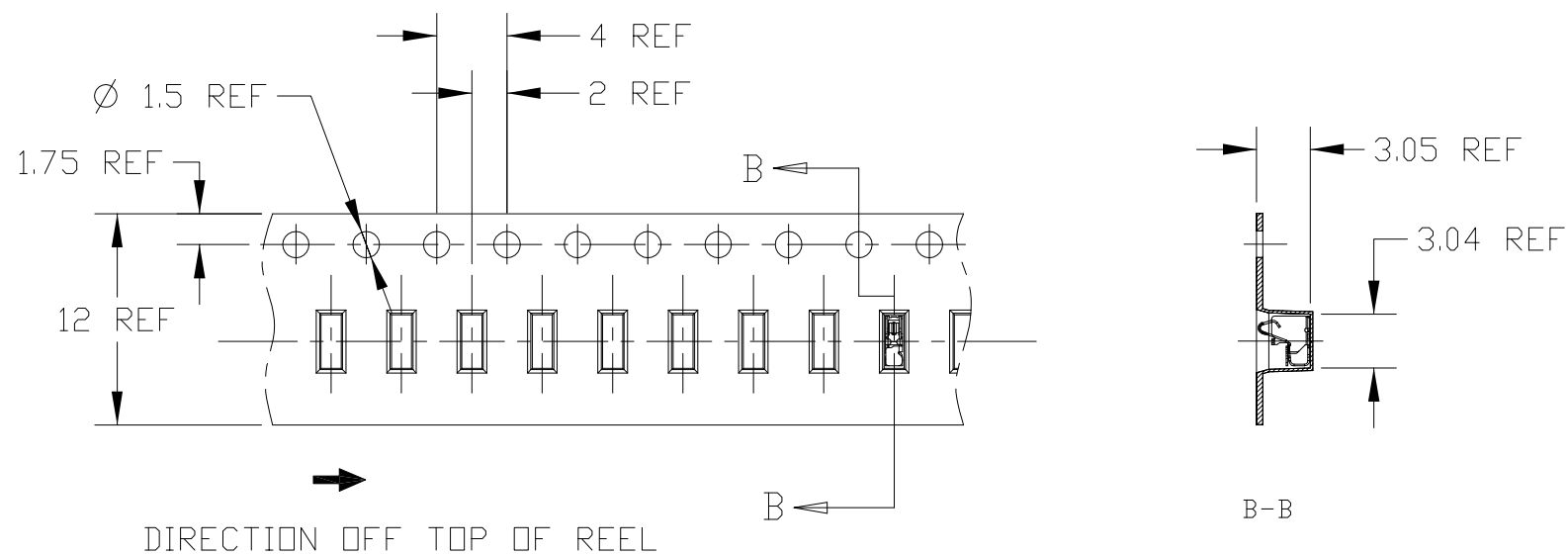
- 1 MATERIAL: TICU(COPPER ALLOY), THK.= 0.1
- 2 FINISH: Ni UNDER PLATING ALL OVER 0.8~3.0um
CONTACT PLATING: Au 0.1~0.4um
SOLDER PLATING: Au 0.05~0.35um
- 3 CUTTING BURR: 0.05mm MAX.
- 4 F/G SHOULD BE SEPARATED BASED ON THE CUSTOMER'S PART NUMBER AS BELOW TABLE

NO	PART NUMBER	CUSTOMER PART NUMBER	PRODUCT SPEC
1	2108609-5	MBV62562101	108-61190
2	2108609-6	EAG63651901	
3	2-2108609-6	-	108-61255

THIS DRAWING IS A CONTROLLED DOCUMENT.		DWN IC KANG 09APR2013	TE Connectivity	
DIMENSIONS: mm		CHK JH KIM 09APR2013		
TOLERANCES UNLESS OTHERWISE SPECIFIED: ± 0.15		APVD JH KIM 09APR2013	NAME	
0-PLC ± 1-PLC ±0.5 2-PLC ±0.13 3-PLC ±0.013 4-PLC ±0.0001 ANGLES ±		PRODUCT SPEC SEE TABLE 4	SPRING FINGER 3.0H	
MATERIAL 1		APPLICATION SPEC -	SIZE A3	CAGE CODE 00779
FINISH 2		WEIGHT -	DRAWING NO C-2108609	RESTRICTED TO -
CUSTOMER DRAWING			SCALE 20:1	SHEET 1 OF 3
			REV C2	

LOC	DIST	REVISIONS					
		P	LTR	DESCRIPTION	DATE	DWN	APVD
-	-			SEE SHEET 1			

① 4 <2108609-5 : FOR MBV62562101>



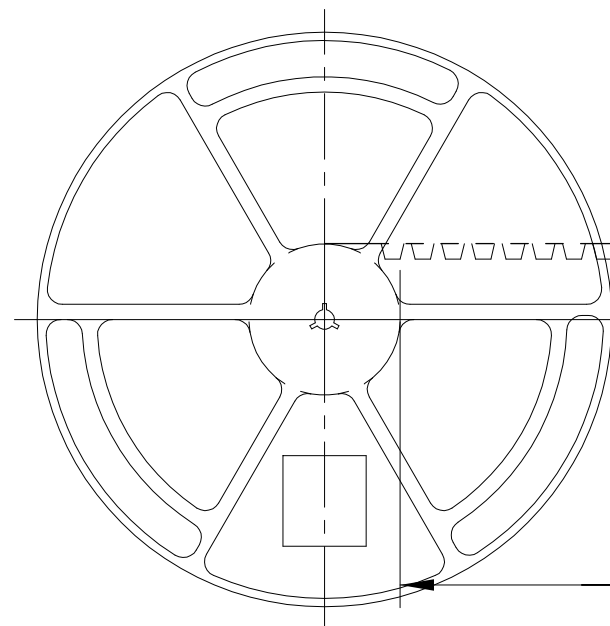
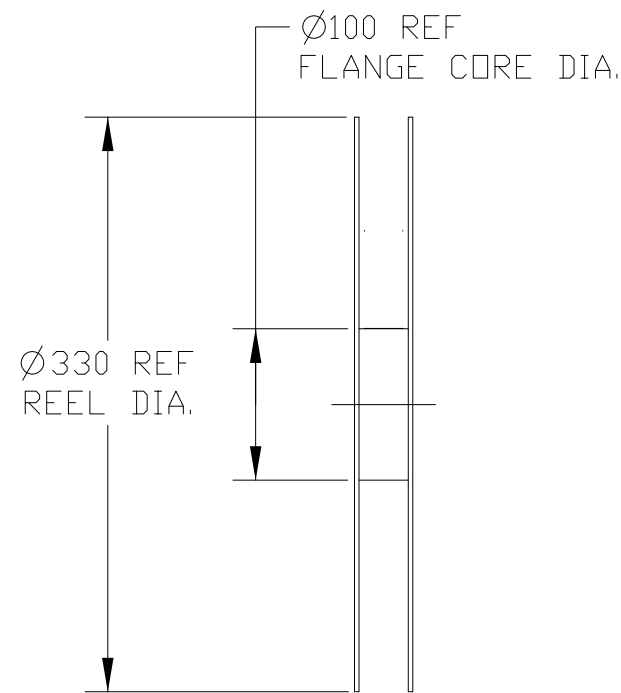
①

MBV62562101-YYYYMMDD-*****-HK000120
 SPEC: 3.0H SPRING FINGER WITH EMBOSS
 Company Name: TE CONNECTIVITY
 Tyco Part Number :2108609-5

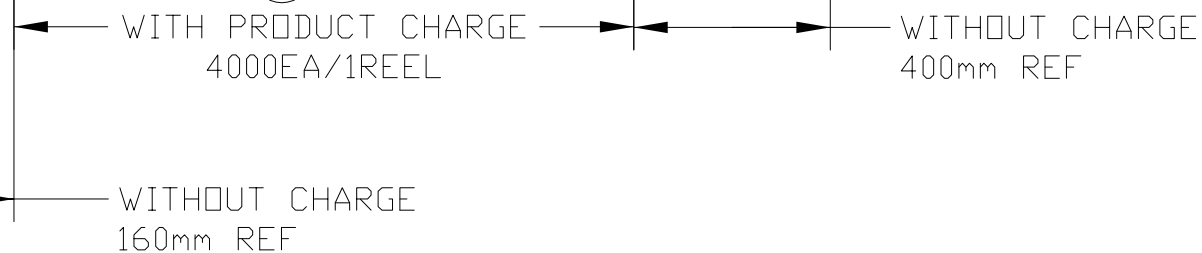
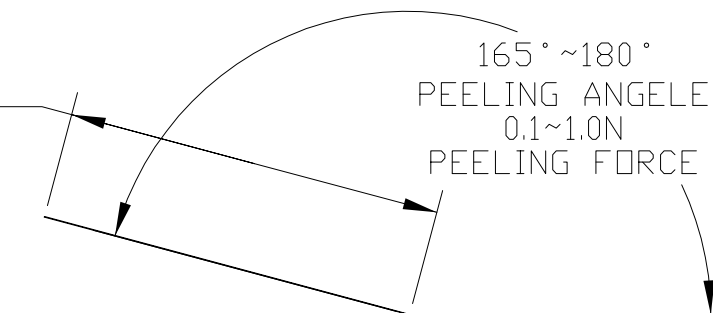
RoHS H/F

100 (width) 70 (height)

- 1. LG PART NO.
- 2. FINAL INSPECTION(YYYMMDD)
- 3. VENDOR PRODUCTION LOT NO.
- 4. VENDOR CODE



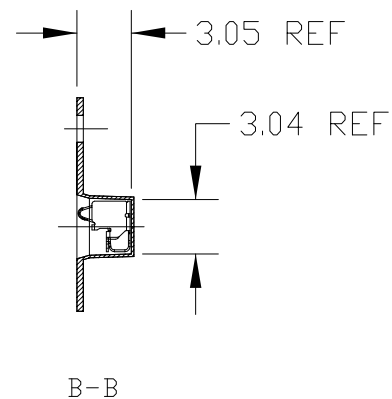
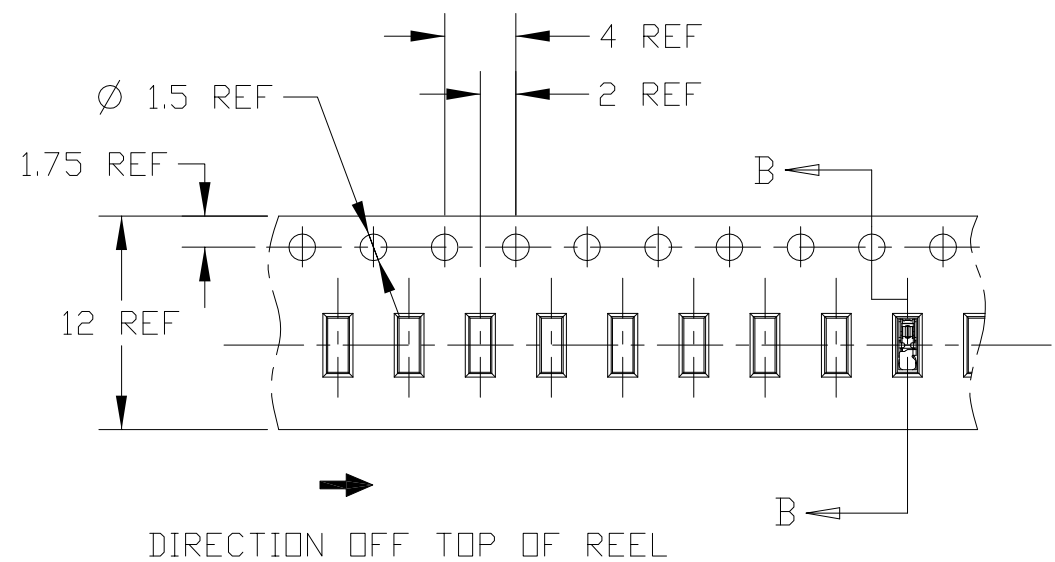
WEEDING THE COVER TAPE, AROUND THE OUTER PERIPHERY IN A TURN



THIS DRAWING IS A CONTROLLED DOCUMENT.		DWN	JH GONG	08FEB2013	 TE Connectivity	NAME		SPRING FINGER 3.0H		
DIMENSIONS: mm		CHK	JH KIM	08FEB2013		PRODUCT SPEC		SIZE	CAGE CODE	DRAWING NO
TOLERANCES UNLESS OTHERWISE SPECIFIED: ±0.15		APVD	JH KIM	08FEB2013		APPLICATION SPEC		A3	00779	©=2108609
0-PLC ± 1-PLC ±0.5 2-PLC ±0.13 3-PLC ±0.013 4-PLC ±0.0001 ANGLES ± FINISH -		PRODUCT SPEC		WEIGHT		RESTRICTED TO		-		
MATERIAL -		CUSTOMER DRAWING		SCALE 20:1		SHEET 2 OF 3		REV C2		

P	LTR	DESCRIPTION	DATE	DWN	APVD
		SEE SHEET 1			

① 4 <2108609-6 : FOR EAG63651901>



①

TE

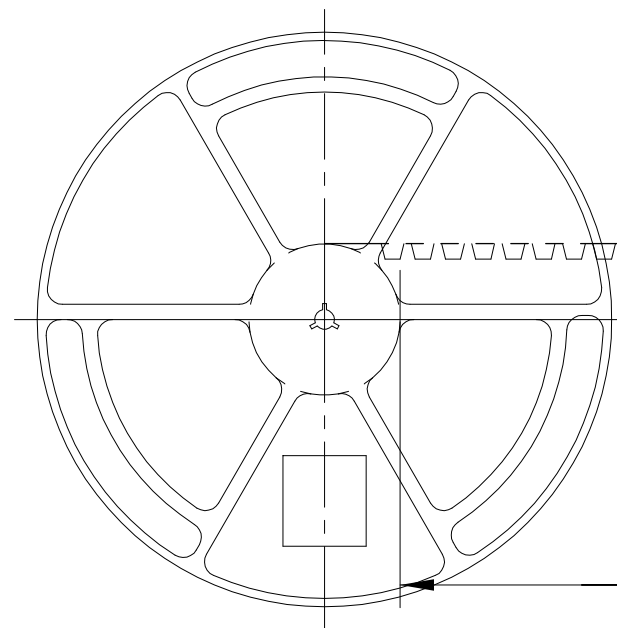
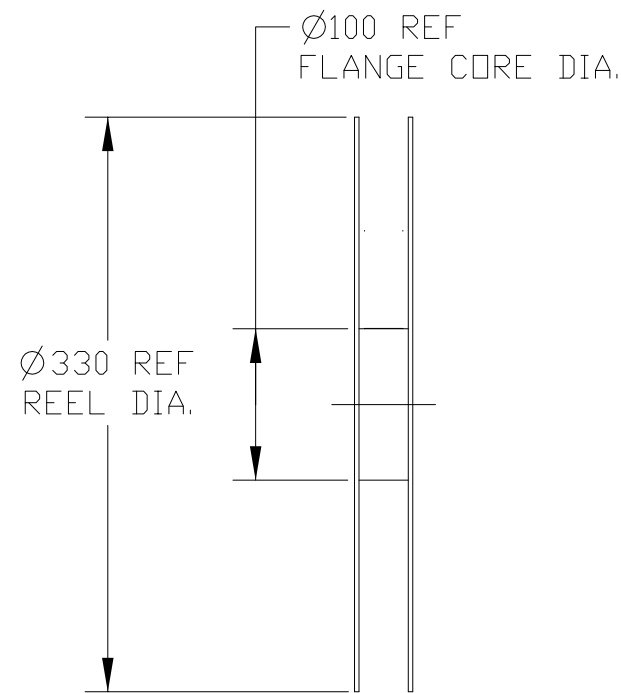
EAG63651901-YYYYMMDD-*****-HK000120

SPEC: 3.0H SPRING FINGER WITH EMBOSS

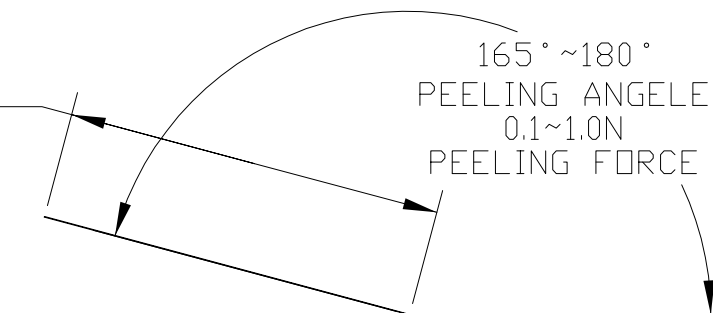
Company Name: TE CONNECTIVITY
Tyco Part Number : 2108609-5

RoHS
H/F

- 1. LG PART NO. 2. FINAL INSPECTION(YYYMMDD)
- 3. VENDOR PRODUCTION LOT NO. 4. VENDOR CODE



WEEDING THE COVER TAPE,
AROUND THE OUTER
PERIPHERY IN
A TURN



WITH PRODUCT CHARGE
4000EA/1REEL

WITHOUT CHARGE
400mm REF

WITHOUT CHARGE
160mm REF

13.4
19.4
REEL WIDTH

THIS DRAWING IS A CONTROLLED DOCUMENT.		DWN JH GONG 08FEB2013		TE TE Connectivity	
		CHK JH KIM 08FEB2013			
DIMENSIONS: mm 		APVD JH KIM 08FEB2013		NAME SPRING FINGER 3.0H	
		PRODUCT SPEC 108-XXXXX			
TOLERANCES UNLESS OTHERWISE SPECIFIED: ± 0.15 0-PLC ± 1-PLC ±0.5 2-PLC ±0.13 3-PLC ±0.013 4-PLC ±0.0001 ANGLES ± FINISH -		APPLICATION SPEC -		SIZE A3 CAGE CODE 00779 DRAWING NO C=2108609 RESTRICTED TO -	
		WEIGHT -			
MATERIAL -		CUSTOMER DRAWING		SCALE 20:1 SHEET 3 OF 3 REV C2	

Mouser Electronics

Authorized Distributor

Click to View Pricing, Inventory, Delivery & Lifecycle Information:

[TE Connectivity:](#)

[2108609-5](#)