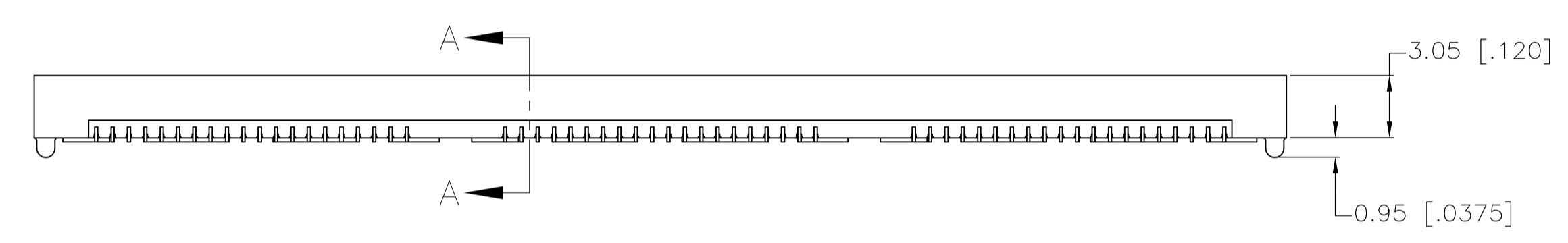
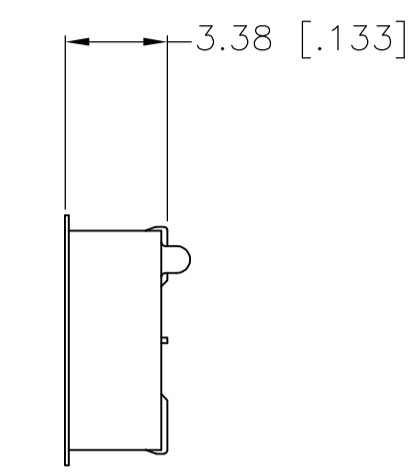
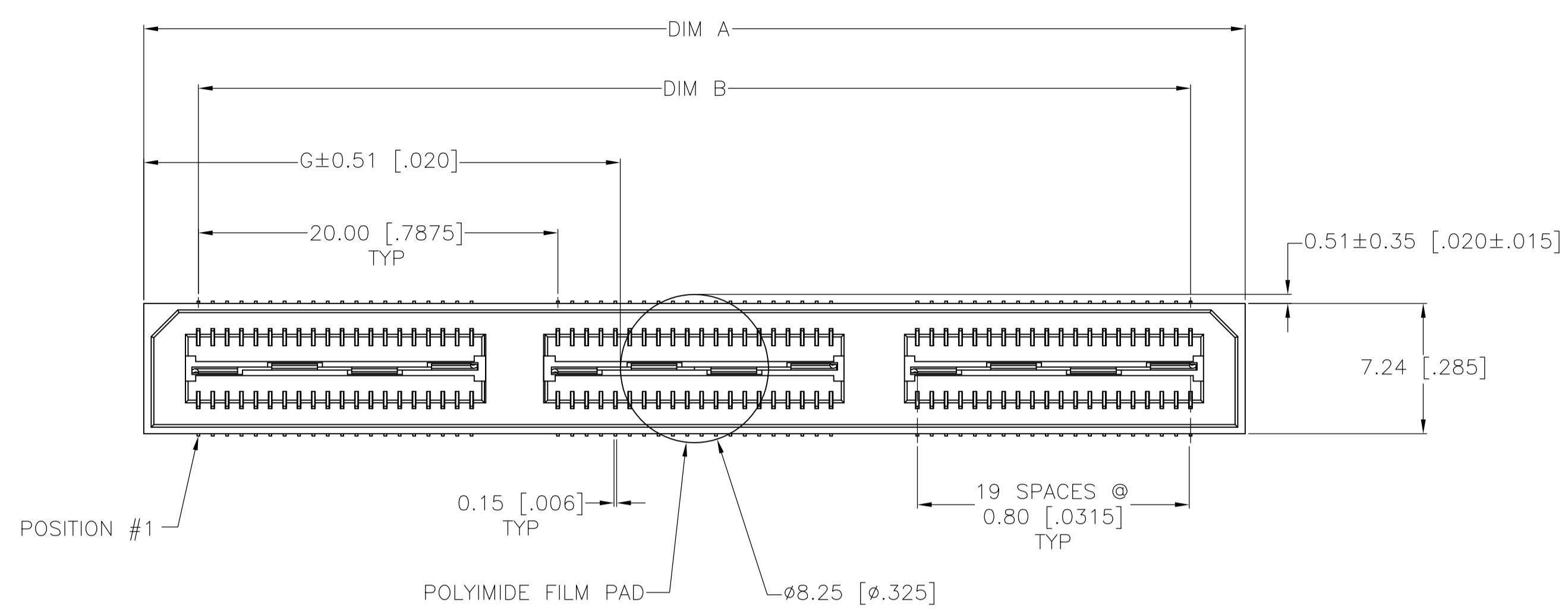
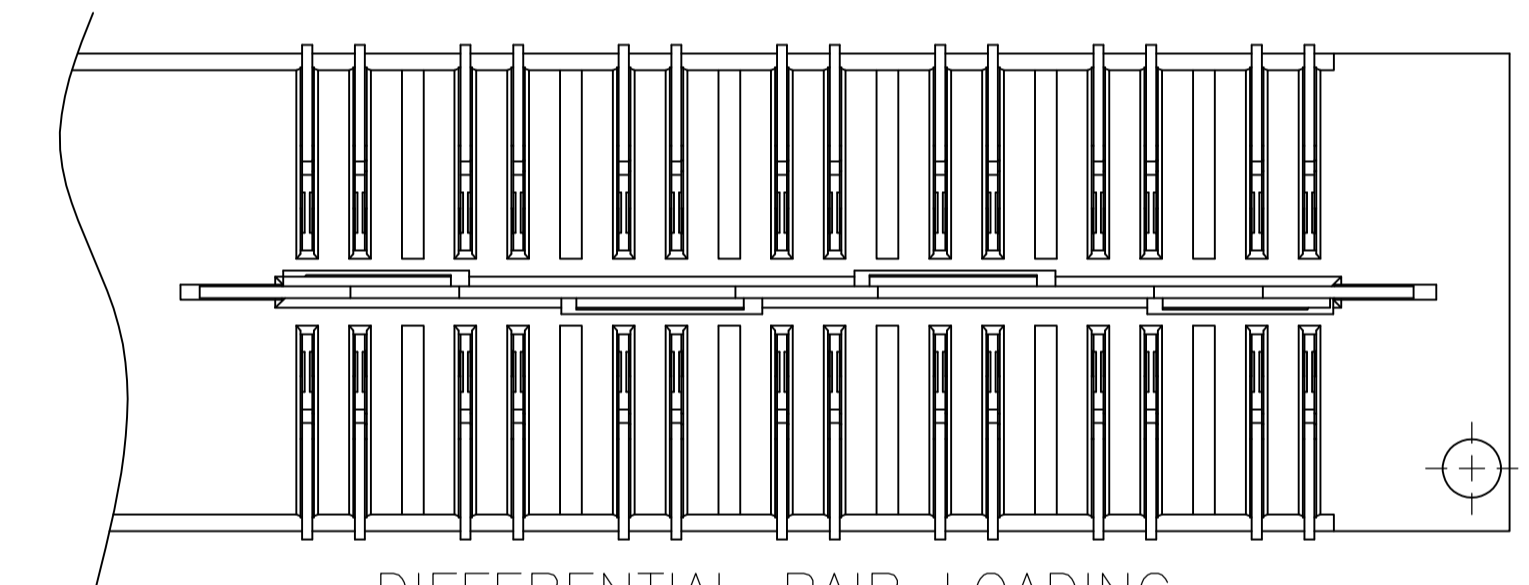
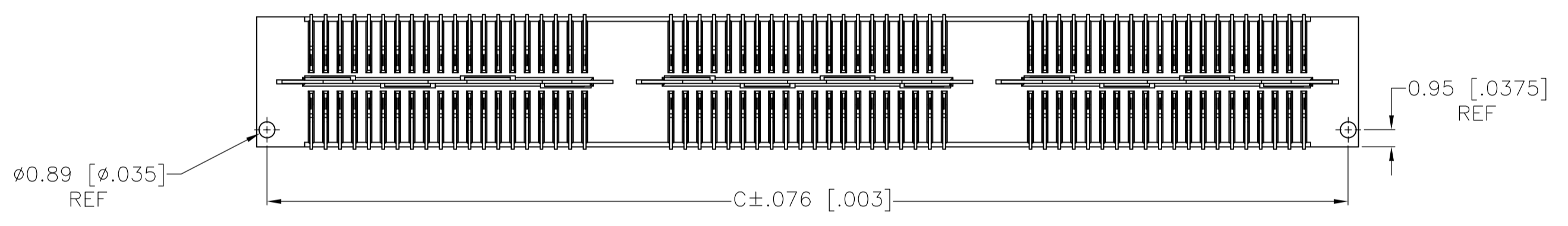


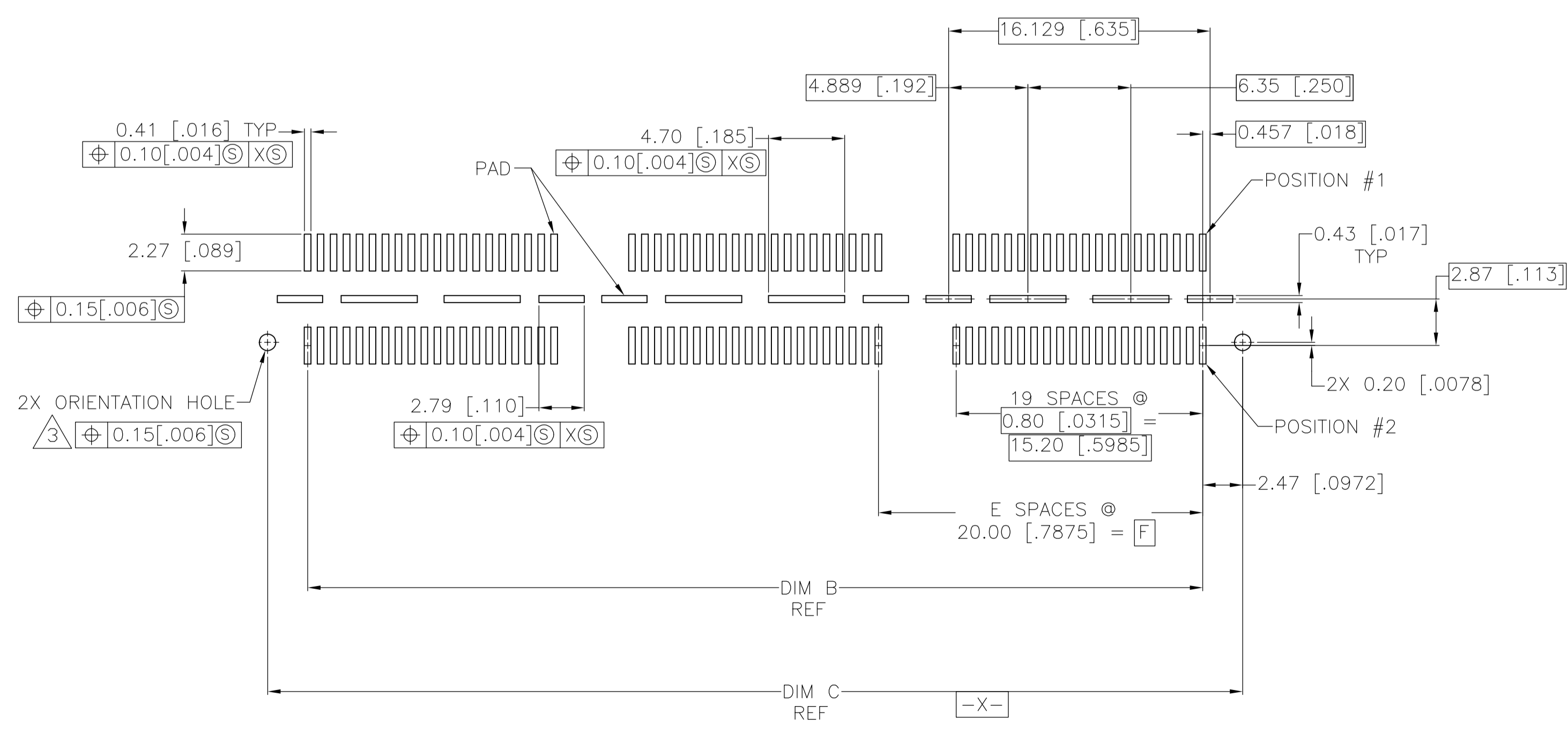
- 1 HOUSING: LCP, BLACK.
CONTACT & GROUND PLANE: PHOS BRONZE.
- 2 CONTACT PLATING: SELECT 0.25 MICROMETERS (.00010 IN) MIN. GOLD.
- 3 FOR STANDARD APPLICATIONS, ORIENTATION HOLE TO BE $\phi 1.02$ [$\phi 0.400$].
- 4 OBSOLETE PARTS: OBSOLETE CIS STREAMLINING PER D.RENAUD/D.SINISI



SECTION A-A



DIFFERENTIAL PAIR LOADING
(BOTTOM VIEW)
SCALE 2:1



RECOMMENDED PC BOARD LAYOUT
VIEWED FROM CONNECTOR SIDE

| REV | DATE | DESCRIPTION | BY | APP'D | NO OF POS | PART NUMBER |
|-----|----------|---------------------------|----------|----------|-----------|-------------|
| 1 | 07/11/07 | INITIAL RELEASE | D. DIXON | D. DIXON | 84 | 7-1658012-3 |
| 2 | 07/11/07 | REVISED PER ECO-11-004835 | D. DIXON | D. DIXON | 56 | 7-1658012-2 |
| 3 | 07/11/07 | REVISED PER ECO-11-004835 | D. DIXON | D. DIXON | 28 | 7-1658012-1 |
| 4 | 07/11/07 | REVISED PER ECO-11-004835 | D. DIXON | D. DIXON | 120 | 6-1658012-3 |
| 5 | 07/11/07 | REVISED PER ECO-11-004835 | D. DIXON | D. DIXON | 80 | 6-1658012-2 |
| 6 | 07/11/07 | REVISED PER ECO-11-004835 | D. DIXON | D. DIXON | 40 | 6-1658012-1 |
| 7 | 07/11/07 | REVISED PER ECO-11-004835 | D. DIXON | D. DIXON | 84 | 5-1658012-3 |
| 8 | 07/11/07 | REVISED PER ECO-11-004835 | D. DIXON | D. DIXON | 56 | 5-1658012-2 |
| 9 | 07/11/07 | REVISED PER ECO-11-004835 | D. DIXON | D. DIXON | 28 | 5-1658012-1 |
| 10 | 07/11/07 | REVISED PER ECO-11-004835 | D. DIXON | D. DIXON | 120 | 4-1658012-3 |
| 11 | 07/11/07 | REVISED PER ECO-11-004835 | D. DIXON | D. DIXON | 80 | 4-1658012-2 |
| 12 | 07/11/07 | REVISED PER ECO-11-004835 | D. DIXON | D. DIXON | 40 | 4-1658012-1 |
| 13 | 07/11/07 | REVISED PER ECO-11-004835 | D. DIXON | D. DIXON | 140 | 3-1658012-5 |
| 14 | 07/11/07 | REVISED PER ECO-11-004835 | D. DIXON | D. DIXON | 112 | 3-1658012-4 |
| 15 | 07/11/07 | REVISED PER ECO-11-004835 | D. DIXON | D. DIXON | 84 | 3-1658012-3 |
| 16 | 07/11/07 | REVISED PER ECO-11-004835 | D. DIXON | D. DIXON | 56 | 3-1658012-2 |
| 17 | 07/11/07 | REVISED PER ECO-11-004835 | D. DIXON | D. DIXON | 28 | 3-1658012-1 |
| 18 | 07/11/07 | REVISED PER ECO-11-004835 | D. DIXON | D. DIXON | 200 | 2-1658012-5 |
| 19 | 07/11/07 | REVISED PER ECO-11-004835 | D. DIXON | D. DIXON | 160 | 2-1658012-4 |
| 20 | 07/11/07 | REVISED PER ECO-11-004835 | D. DIXON | D. DIXON | 120 | 2-1658012-3 |
| 21 | 07/11/07 | REVISED PER ECO-11-004835 | D. DIXON | D. DIXON | 80 | 2-1658012-2 |
| 22 | 07/11/07 | REVISED PER ECO-11-004835 | D. DIXON | D. DIXON | 40 | 2-1658012-1 |
| 23 | 07/11/07 | REVISED PER ECO-11-004835 | D. DIXON | D. DIXON | 140 | 1-1658012-5 |
| 24 | 07/11/07 | REVISED PER ECO-11-004835 | D. DIXON | D. DIXON | 112 | 1-1658012-4 |
| 25 | 07/11/07 | REVISED PER ECO-11-004835 | D. DIXON | D. DIXON | 84 | 1-1658012-3 |
| 26 | 07/11/07 | REVISED PER ECO-11-004835 | D. DIXON | D. DIXON | 56 | 1-1658012-2 |
| 27 | 07/11/07 | REVISED PER ECO-11-004835 | D. DIXON | D. DIXON | 28 | 1-1658012-1 |
| 28 | 07/11/07 | REVISED PER ECO-11-004835 | D. DIXON | D. DIXON | NO | 1658012-5 |
| 29 | 07/11/07 | REVISED PER ECO-11-004835 | D. DIXON | D. DIXON | NO | 1658012-4 |
| 30 | 07/11/07 | REVISED PER ECO-11-004835 | D. DIXON | D. DIXON | NO | 1658012-3 |
| 31 | 07/11/07 | REVISED PER ECO-11-004835 | D. DIXON | D. DIXON | NO | 1658012-2 |
| 32 | 07/11/07 | REVISED PER ECO-11-004835 | D. DIXON | D. DIXON | NO | 1658012-1 |

THIS DRAWING IS A CONTROLLED DOCUMENT.

DIMENSIONS: mm [INCHES]

TOLERANCES UNLESS OTHERWISE SPECIFIED:

| | | |
|--------|---|-------------|
| 0 PL | ± | |
| 1 PL | ± | 0.3[.01] |
| 2 PL | ± | 0.15[.005] |
| 3 PL | ± | 0.05[.002] |
| 4 PL | ± | 0.02[.0005] |
| ANGLES | ± | ° |

MATERIAL: 1 HOUSING: LCP, BLACK. CONTACT & GROUND PLANE: PHOS BRONZE.

FINISH: 2 CONTACT PLATING: SELECT 0.25 MICROMETERS (.00010 IN) MIN. GOLD.

APPROVED: D. DIXON

DATE: 11MAR11

BY: RK

APP'D: HMR

SCALE: 4:1

SHEET: 1 OF 1

REV: M2

CUSTOMER DRAWING

STE TE Connectivity

RECEPTACLE ASSEMBLY, VERTICAL
0.80MM CL.

SIZE: A1

WEIGHT: 00779

DRAWING NO: 1658012

Mouser Electronics

Authorized Distributor

Click to View Pricing, Inventory, Delivery & Lifecycle Information:

[TE Connectivity:](#)

[6-1658012-3](#)