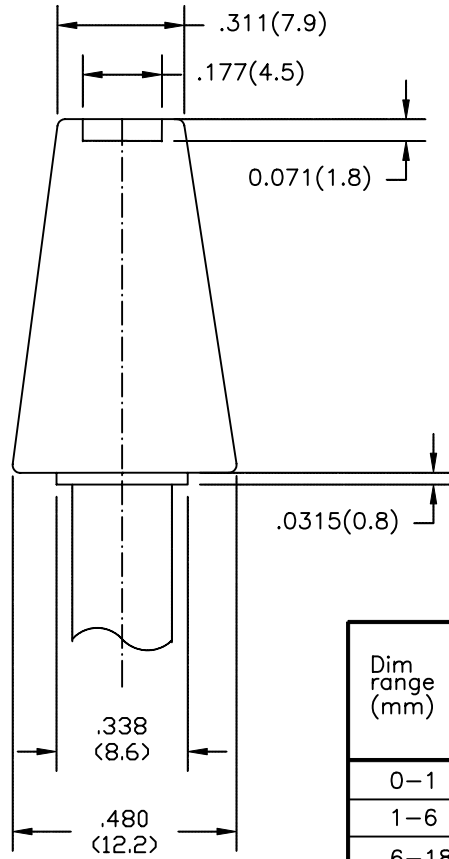
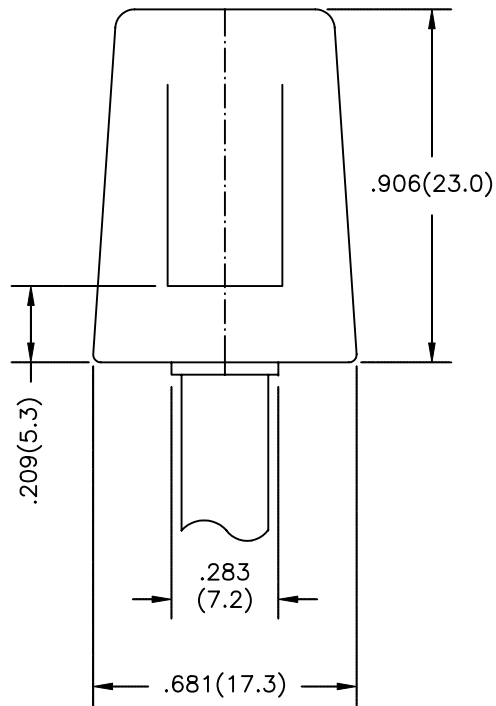
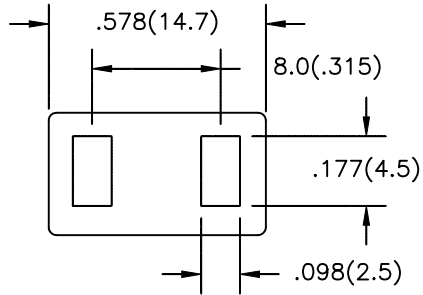


Revision			
Rev.	Description	Date	Approved



Note:

1. UL & CSA certified.
2. Rated: 7A 300V
3. Material:  
Body: PVC  
Cord: SPT-1 18AWG/2C  
Terminal: Brass(Nickel plated)
4. Cordage Length: 36"
5. Termination: Blunt Cut

Dim range (mm)	Tolerance +/- (mm)	Qualtek Electronics Corp. FAN-S DIVISION		
		Part Number: 07100-36		
0-1	0.15	Description: MOLDED FAN CORD FEMALE STRAIGHT		
1-6	0.20			
6-18	0.30	Drawn/Date	Checked/Date	Approved/Date
18-50	0.50			
50-120	0.70	B.ZHANG 01-23-03	01-23-03	JJH/01-23-03
120-250	0.90			
250-500	1.20			

# Mouser Electronics

Authorized Distributor

Click to View Pricing, Inventory, Delivery & Lifecycle Information:

[Qualtek:](#)

[07100-SP036](#)