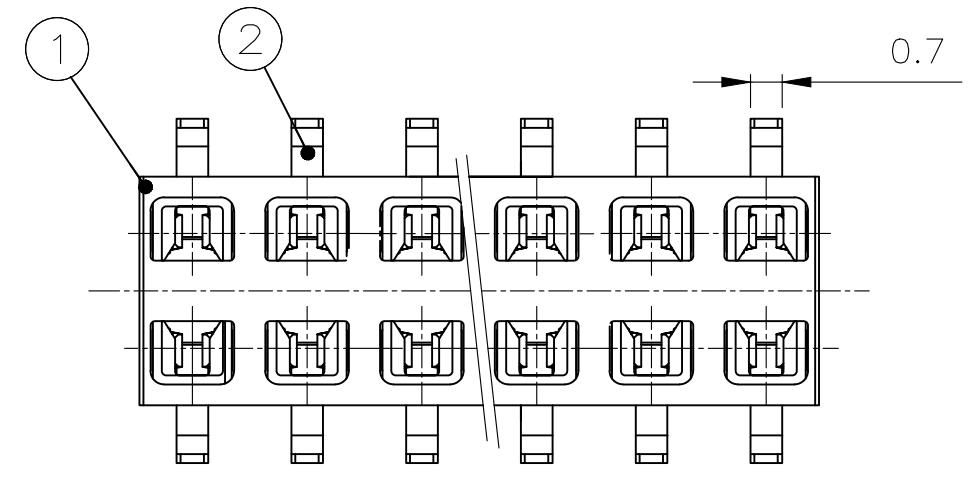
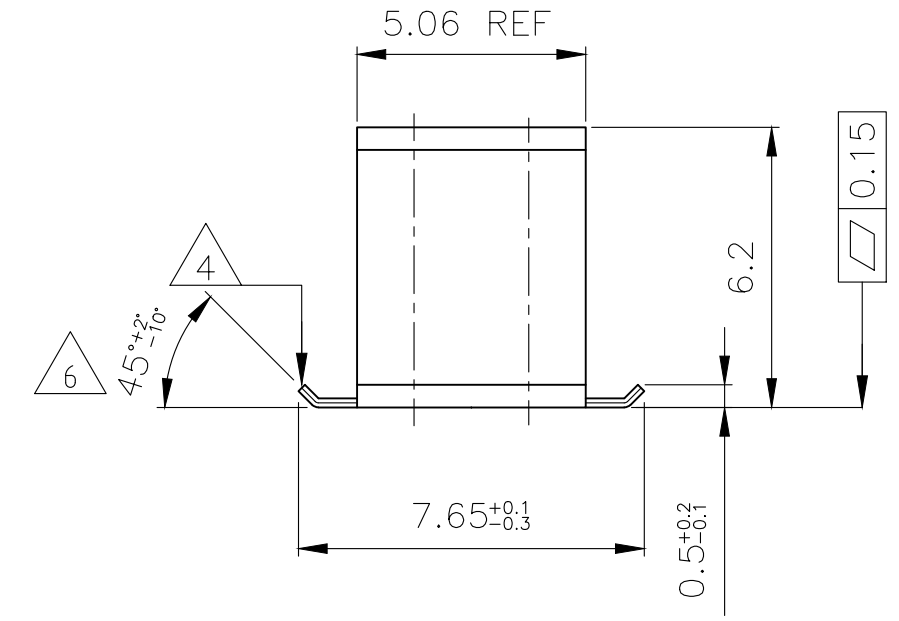
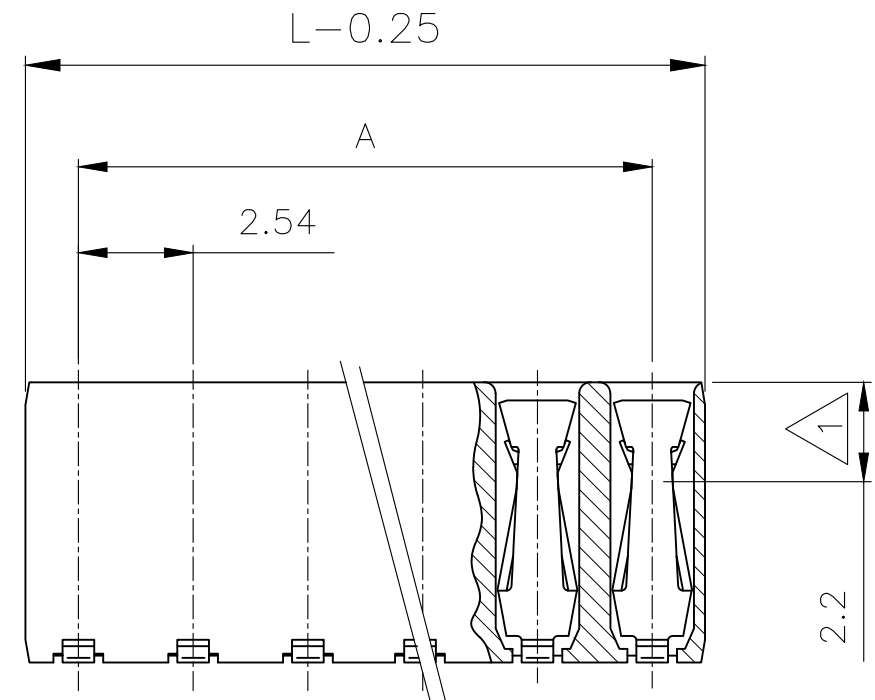


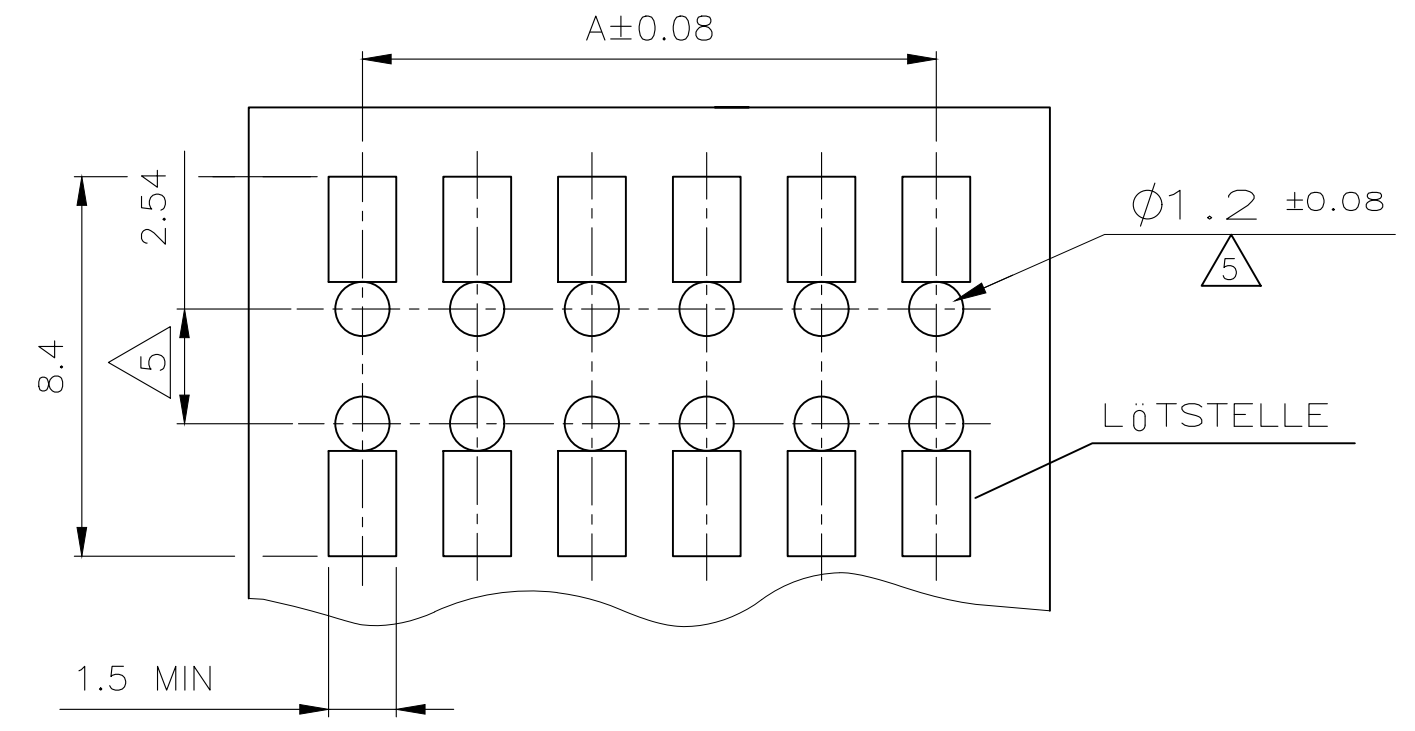
THIS DRAWING IS UNPUBLISHED. RELEASED FOR PUBLICATION OCT , 1997.
 © COPYRIGHT 2010 By - ALL RIGHTS RESERVED.

REVISIONS				
P	LTR	DESCRIPTION	DATE	APVD
E3		PART STATUS UPDATED	09JAN2018	RK PS

Polz.	L -0.25	A
-	-	-
2	4.88	2.54
3	7.42	5.08
4	9.96	7.62
5	12.5	10.16
6	15.04	12.7
7	17.58	15.24
8	20.12	17.78
9	22.66	20.32
10	25.2	22.86
11	27.24	25.4
12	30.28	27.94
13	32.82	30.48
14	35.36	33.02
15	37.90	35.56
16	40.44	38.10
17	42.98	40.64
18	45.52	43.18
19	48.06	45.72
20	50.60	48.26



EMPFOHLENES LEITERPLATTEN LAYOUT



NOTES:

- 1 EDGE CONTACT KONTAKTPUNKT
- 2 CONTACT RANGE: 0.8µm GOLD OVER 1.3µm Ni
SOLDERING RANGE: 2.5µm TIN OVER 1.3µm Ni
KONTAKTBEREICH: 0.8µm GOLD ÜBER 1.3µm Ni
LÖTBEREICH: 2.5µm ZINN ÜBER 1.3µm Ni
- 3 CAN BE PLUGGED IN WITH MODU II PINS Ø0.63 OR □0.63 TOP OR BOTTOM ENTRY.
STECKBAR MIT MODU II STIFTEN Ø0.63 ODER □0.63 TOP ODER BOTTOM ENTRY.
- 4 PLANE OF SECTION BLANK SCHNITTFLÄCHE BLANK
- 5 ONLY WITH THE BOTTOM ENTRY NUR BEI BOTTOM ENTRY
- 6 BEND ANGLE WILL BE 80°±5° WHEN PRODUCED AT DIFFERENT EQUIPMENT (SEMI-AUTOMATIC) DUE TO CAPACITY OR MIX OF LOAD.

POS.	STÜCK / PIECE	BENENNUNG EINZELTEIL PART DESCRIPTION	WERKSTOFF MATERIAL	OBERFLÄCHE / FARBE SURFACE / COLOR	SI No
2	-	HV 100 KONTAKT / HV 100 CONTACT	Cu Sn		2
1	-	HV 100 GEHÄUSE / HV 100 HOUSING	LCP	SCHWARZ / BLACK	1

THIS DRAWING IS A CONTROLLED DOCUMENT.		DWN M. STEIN 20-OCT-97	 TE Connectivity HV100 REC. CONNECTOR, SMD, DOUBLE ROW WITH ADAPTER PACKED IN BLISTER BELT
DIMENSIONS: mm		CHK F. REICHARDT 20-OCT-97	
TOLERANCES UNLESS OTHERWISE SPECIFIED: TOL ± 0.2		APVD G. Feldmeier	
		PRODUCT SPEC 108-19056	
MATERIAL SEE TABLE	FINISH SEE TABLE	WEIGHT	SIZE A2
CUSTOMER DRAWING		SCALE 1:2	CAGE CODE 00779
		SHEET 1 OF 3	DRAWING NO C=969973
		RESTRICTED TO	REV E3

4

3

2

1

THIS DRAWING IS UNPUBLISHED. RELEASED FOR PUBLICATION OCT. 1997.

COPYRIGHT 2010 By - ALL RIGHTS RESERVED.

REVISIONS

P	LTR	DESCRIPTION	DATE	DWN	APVD
-	-	SEE SHEET 1	-	-	-

DETAIL X
EINZELHEIT X

ABWICKELRICHTUNG
DIRECTION OF THE TOP
OF THE REEL

THIS DRAWING IS A CONTROLLED DOCUMENT.

DWN M. STEIN 20-OCT-97

CHK F. REICHARDT 20-OCT-97

APVD G. Feldmeier

PRODUCT SPEC

108-19056

APPLICATION SPEC

WEIGHT

CUSTOMER DRAWING

TE Connectivity

HV100 REC. CONNECTOR, SMD, DOUBLE ROW
WITH ADAPTER PACKED IN BLISTER BELT

SIZE

CAGE CODE

DRAWING NO

RESTRICTED TO

A2

00779

C-969973

-

SCALE

1:2

SHEET

3 of 3

REV

E3

1471-9 (1/15)

969973

Mouser Electronics

Authorized Distributor

Click to View Pricing, Inventory, Delivery & Lifecycle Information:

[TE Connectivity:](#)

[969973-3](#)