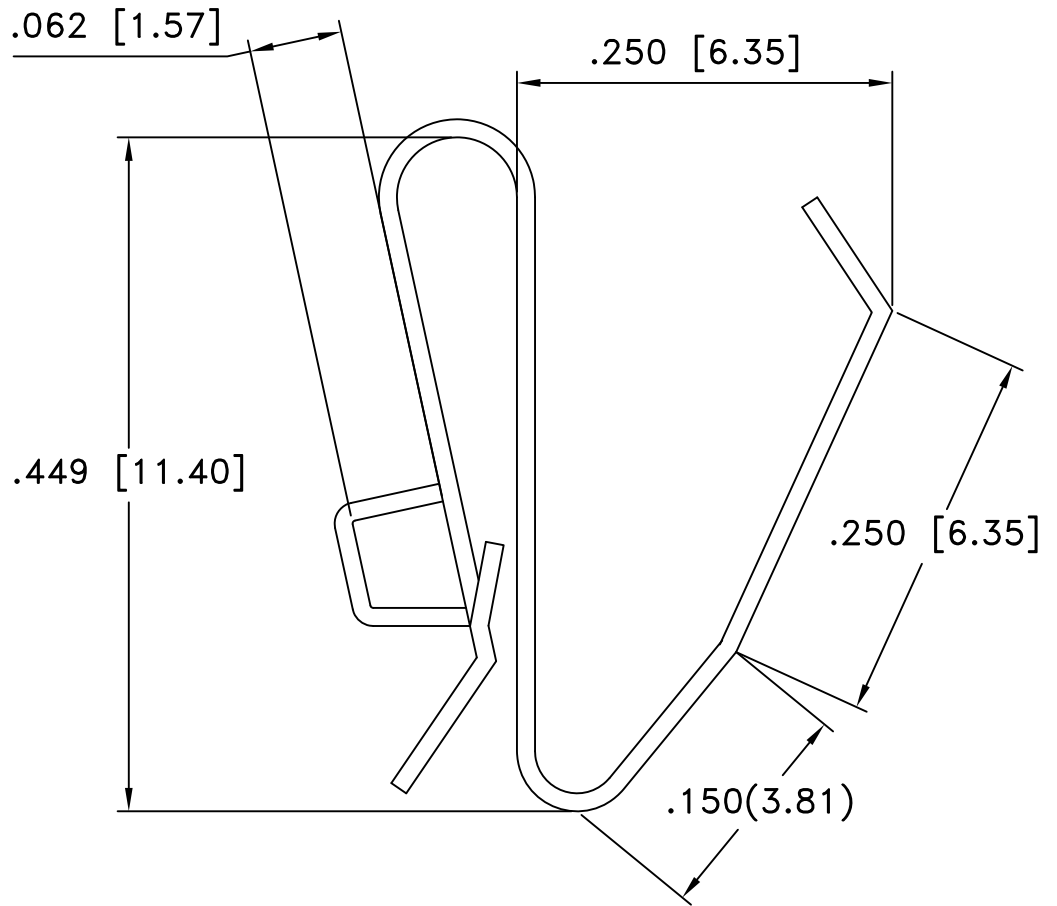
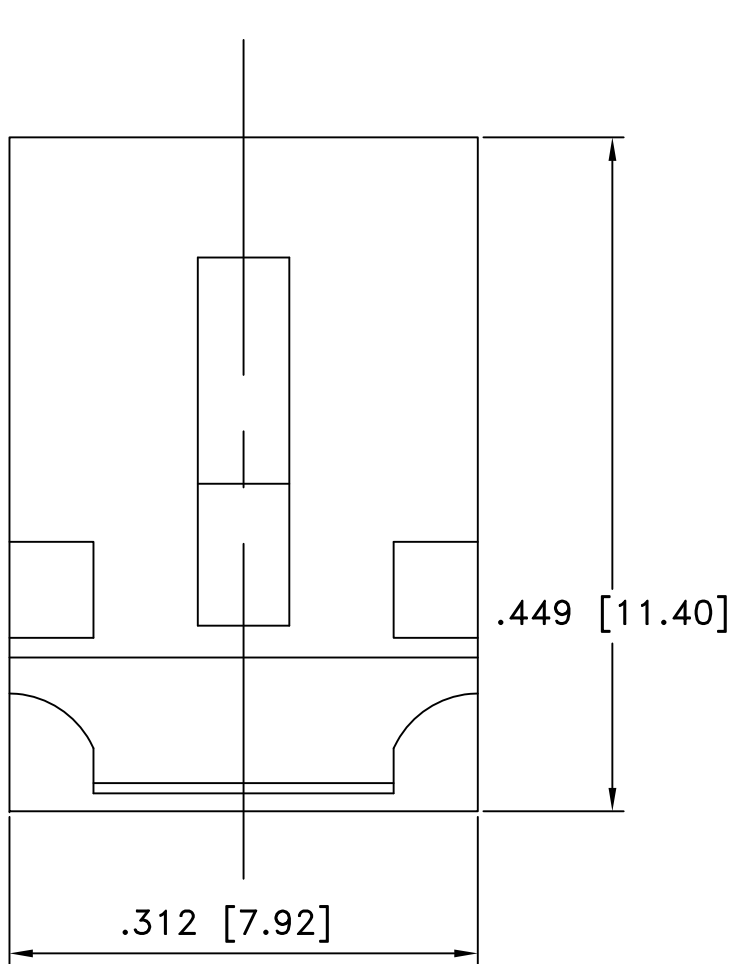



Date	SYM	REVISION RECORD	AUTH	DR.	CK.
11/21/14	D	UPDATED TO ROHS 2 COMPLIANT	T.B.	B.S.	
07/01/16	E	MATERIAL WAS SPRING TEMPER STAINLESS STEEL	T.B.	B.S.	



MATERIAL:
 0.012" SPRING STEEL, NICKEL PLATED
 ROHS 2 COMPLIANT

Tolerance (Except as noted)	 Memory protection Devices, Inc 200 Broad Hollow Road, Farmingdale, New York 11735		
decimal $\pm .5 (.020)$		Scale 8=1	Drawn By B.S. Approved By T.B.
Fractional $\pm .8 (.030)$	Title BATTERY CONTACT, AA		
Angular $\pm 3^\circ$	Date 07/01/16	Drawing Number BK-209	