

THIS DRAWING IS UNPUBLISHED.

RELEASED FOR PUBLICATION

20

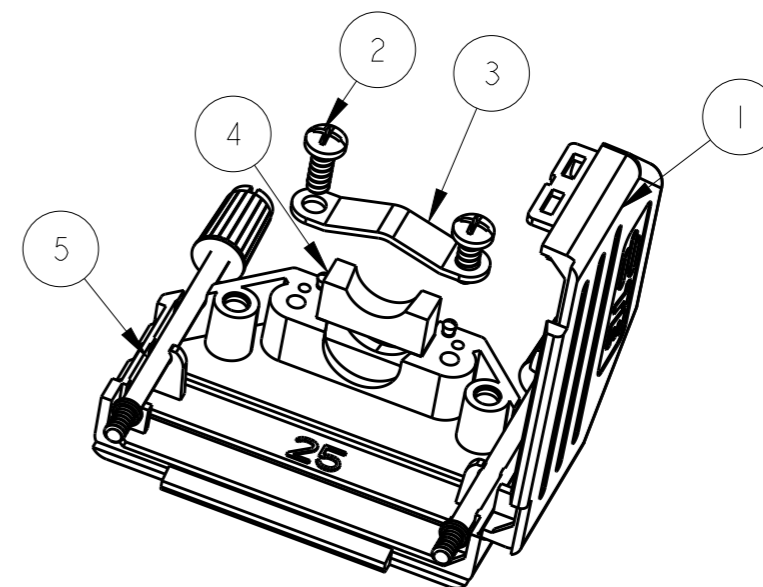
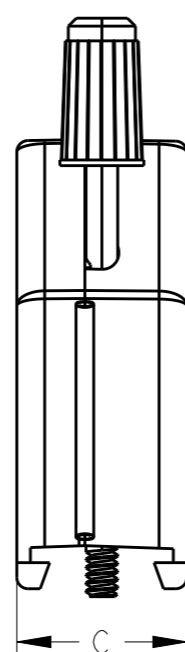
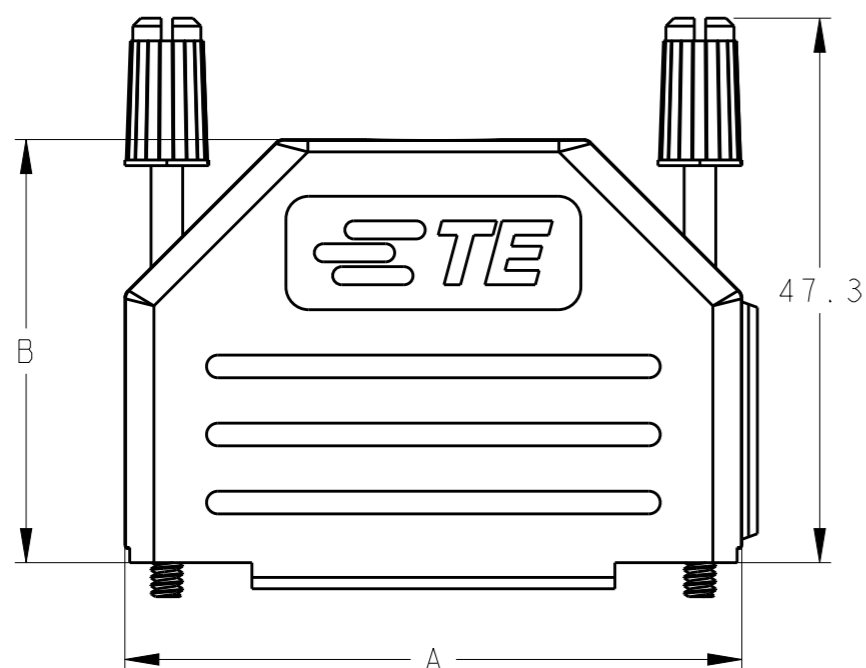
© COPYRIGHT 20

BY TYCO ELECTRONICS CORPORATION. ALL INTERNATIONAL RIGHTS RESERVED.

LOC GP DIST 00

REVISIONS

| P | LTR | DESCRIPTION | DATE | DWN | APVD |
|---|-----|---------------------------|-----------|-----|------|
| | B | REVISED PER ECO-13-000397 | 31JAN2013 | CJV | CWR |



1 BULK PACKAGED SHELL ASSEMBLIES:
ITEMS 1 THRU 5, 100 TIMES QTY SHOWN
IN TABLE IN ONE BAG FOR EACH ITEM.
ALL BAGS IN ONE BOX.

2. TEMPERATURE RANGE -55C - +105C.

3. CABLE DIAMETER 3.0 - 11.0mm.

4 TRIVALENT CHROMIUM CHROMATE COATING
OVER ZINC PLATING.

| | | | | | | | | | |
|-----------|-------|-------|-------|-------------------|------------------|------------|----------|--------|-------------|
| | 15.0 | 36.0 | 70.9 | SELF TAPPING | 4-40 UNC | 4 | 37 | BLACK | 3-1991253-7 |
| | 15.0 | 37.3 | 54.4 | SELF TAPPING | 4-40 UNC | 3 | 25 | BLACK | 2-1991253-5 |
| | 15.0 | 30.8 | 40.7 | SELF TAPPING | 4-40 UNC | 2 | 15 | BLACK | 1-1991253-5 |
| | 15.0 | 31.3 | 32.4 | SELF TAPPING | 4-40 UNC | 1 | 9 | BLACK | 1991253-9 |
| PACKAGING | DIM C | DIM B | DIM A | FIXING SCREW TYPE | JACKSCREW THREAD | SHELL SIZE | POSITION | COLOUR | PART NO |

| | | | | |
|------|--------------------|---|-----------|-----|
| 5 | JACKSCREW ASSEMBLY | POLYAMIDE UL94V2 (KNOB) CARBON STEEL (SHAFT) | BLACK | 2 |
| 4 | CABLE CLAMP BASE | POLYAMIDE UL94 V2 | BLACK | 1 |
| 3 | CABLE CLAMP | CARBON STEEL | | 1 |
| 2 | FIXING SCREW | CARBON STEEL | | 2 |
| 1 | BACKSHELL BODY | POLYAMIDE UL94 V2 | BLACK | 1 |
| ITEM | DESCRIPTION | MATERIAL | FINISH | QTY |

THIS DRAWING IS A CONTROLLED DOCUMENT FOR TYCO ELECTRONICS CORPORATION
IT IS SUBJECT TO CHANGE AND THE CONTROLLING ENGINEERING ORGANIZATION
SHOULD BE CONTACTED FOR THE LATEST REVISION.

DWN M. GREENER 05JAN2011
CHK J. AMBROSE 05JAN2011
APVD J. AMBROSE 05JAN2011

STE Tyco Electronics UK Ltd.
Bideford, North Devon, EX39 4HE

NAME LOW COST PLASTIC D-SUB BACKSHELL

PRODUCT SPEC APPLICATION SPEC

SIZE A3 CAGE CODE 00779 DRAWING NO G-1991253 RESTRICTED TO

MATERIAL SEE TABLE FINISH - WEIGHT CUSTOMER DRAWING SCALE NTS SHEET 1 OF 1 REV B

Mouser Electronics

Authorized Distributor

Click to View Pricing, Inventory, Delivery & Lifecycle Information:

[TE Connectivity:](#)

[2-1991253-5](#)