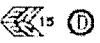

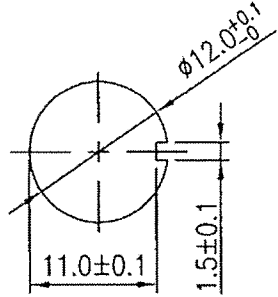
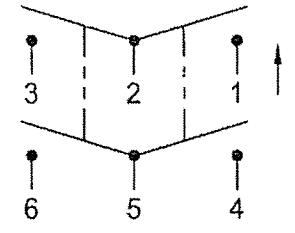


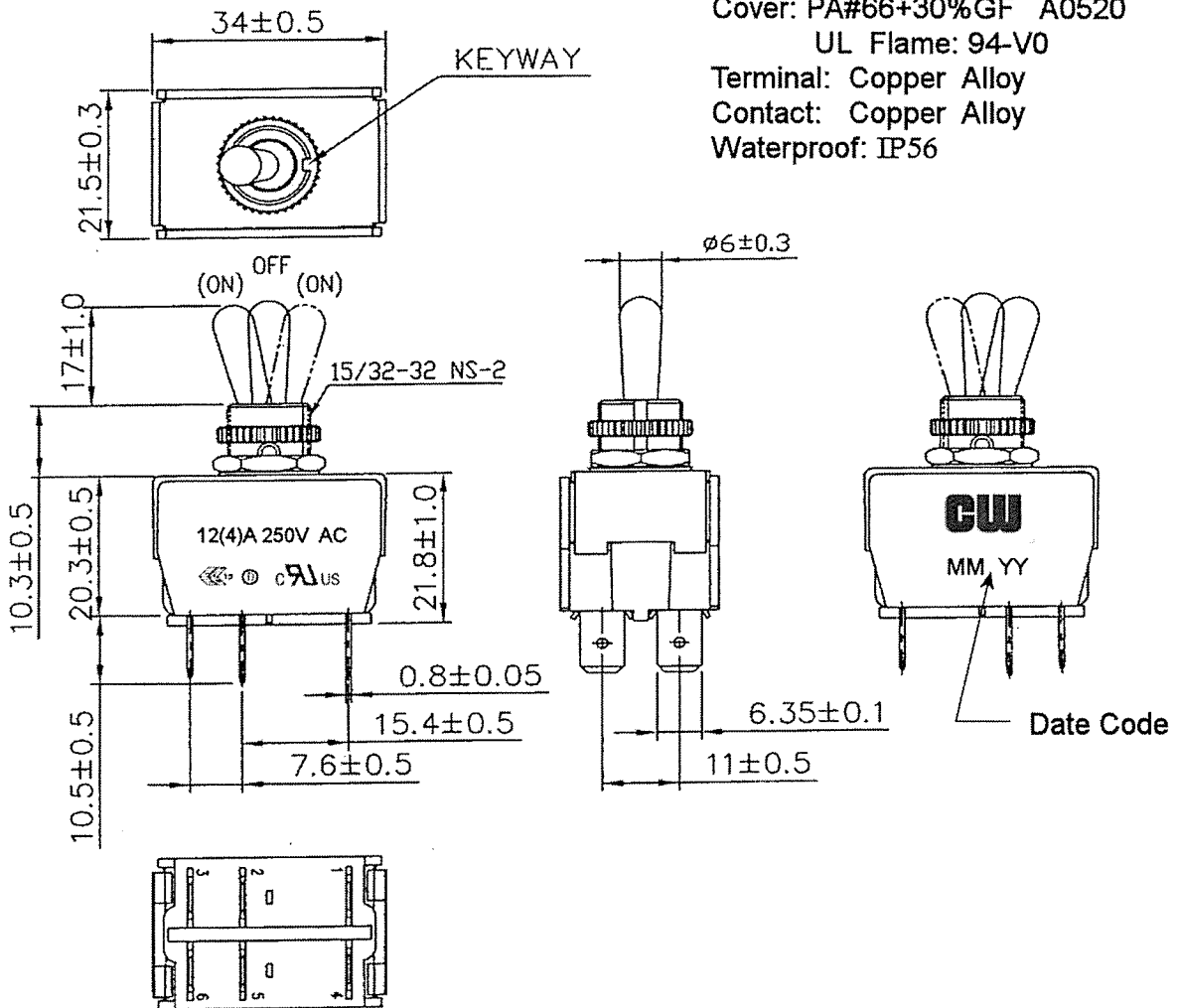
THIS INFORMATION IS CONFIDENTIAL AND PROPRIETARY TO CW INDUSTRIES INCORPORATED AND ITS AFFILIATES. IT MAY NOT BE DISCLOSED TO ANYONE, OTHER THAN CW INDUSTRIES PERSONNEL, WITHOUT WRITTEN AUTHORIZATION FROM CW INDUSTRIES INCORPORATED, SOUTHAMPTON, PENNSYLVANIA USA.

|                       |  |              |  |   |
|-----------------------|--|--------------|--|---|
| Ratings               | 12 (4) A 250V AC   |              | Mounting Hole  | Circuit   |
|                       | Contact Resistance   | 50m ohm max. |  |  |
| Insulation Resistance | DC 500V 100M ohm Min.  |              |  |   |
| Dielectric Strength   | AC 1500V 1 minute  |              |  |   |
| Operation Temperature | 0° C ~ 85° C   |              |  |   |
| Switch Function       | 6P DPDT (ON) - OFF - (ON)  |              |  |   |

( ) = Momentary Function

Material:

- Frame: Nylon 66, Black
- UL Flame: 94-V2
- Cover: PA#66+30%GF A0520
- UL Flame: 94-V0
- Terminal: Copper Alloy
- Contact: Copper Alloy
- Waterproof: IP56



RoHS Compliant

5 Redrawn. Removed 16A 277vac rating & added 12(4)A 250vac & listings. 8-08-2012

**CW INDUSTRIES**  
Southampton, Pa. 18966  
Tel 215.355.7080/www.cwind.com

Date Drawn: 1/28/11

Rev. 5

Unit: mm

Checked By: *G. Gold*

Title: **TOGGLE SWITCH**

CW P/N: **GTS448K101AHR**

# Mouser Electronics

Authorized Distributor

Click to View Pricing, Inventory, Delivery & Lifecycle Information:

[CW Industries:](#)

[GTS448K101AHR](#)